

# KT-302H Series

## Display Type Pressure Transmitters

### ■ Features

- HART protocol
- Display rotation in 330 ° range
- Better visibility with supporting backlight function
- Excellent corrosion resistance with stainless steel housing
- High accuracy  $\pm 0.2\%$  F.S.
- Self-stable and filter device
- Explosion-proof specification: Ex D IIC T6
- Protection structure: IP67 (IEC standard)



**!** Please read "Safety Considerations" in the instruction manual before using.



### ■ Ordering Information

KT-302H
S
—
01
0
0
(-0.1 to 35MPa)

①
②
③
④
⑤
⑥

Item	Description			
①Item	KT-302H	Display Type Pressure Transmitters		
②Measurement pressure	S	Gauge pressure, sealed gauge pressure <sup>※1</sup>		
	A	Absolute pressure		
③Rated pressure range		Gauge pressure	Absolute pressure	
	01	0 to 35kPa	0 to 35kPa	
	02	0 to 0.1MPa	0 to 0.1MPa	
	03	0 to 0.2MPa	0 to 0.2MPa	
	04	0 to 0.7MPa	0 to 0.7MPa	
	05	0 to 2MPa	0 to 2MPa	
	06	0 to 3.5MPa	0 to 3.5MPa	
	07	0 to 7MPa		
	08	0 to 21MPa		
	09	0 to 35MPa		
			Sealed gauge pressure <sup>※1</sup>	
	14	-0.1 to 0MPa		
	15	-0.1 to 0.2MPa		
	16	-0.1 to 0.7MPa		
17	-0.1 to 2MPa			
18	-0.1 to 3.5MPa			
	Z	Others		
④Mounting bracket	0	Without bracket		
	1	With bracket		
⑤Pressure port	0	G3/8 (PF, standard)		
	1	Others		
⑥User pressure range <sup>※2</sup>		User pressure range		

※1: The pressure is sealed gauge pressure. The unit is sealed structure. It is based on atmospheric pressure 101.3kPa (1.013bar).

※2: Write the desired pressure range and it is the default of user pressure range. (select "Z" at ③Rated pressure range)

# Display Type Pressure Transmitters

## ■ Specifications

Series	KT-302H	
Measured materials	Vapor, liquid, fluid (except corrosive environment of stainless steel 316)	
Power supply	9-45VDC---	
Display method	PV display part: 7-segment 5-digit, Parameter display part: 16-segment 8-digit, Bar LED: 52	
Display range	-9999 to 99999	
Output	DC4-20mA (2-wire) Low-limit 3.8mA, high-limit 22.8mA	
Accuracy* <sup>1</sup>	±0.3% of F.S.	
Setting method	Setting by front push keys and HART-protocol	
Sampling cycle	200ms	
Environment	Ambient temperature	-20 to 70 °C, storage: -40 to 85 °C
	Ambient humidity	0 to 85%RH, storage: 0 to 85%RH
Material	Body: aluminum (AlDc.8S), cover O-Ring: buna N, diaphragm: stainless steel 316, connections: stainless steel 316	
Explosion class* <sup>2</sup>	Ex d IIC T6	
Protection structure	IP67 (IEC standard)	
Weight* <sup>3</sup>	Approx. 1.7kg (approx. 1.4kg)	

※1: F.S.: Rated pressure range.

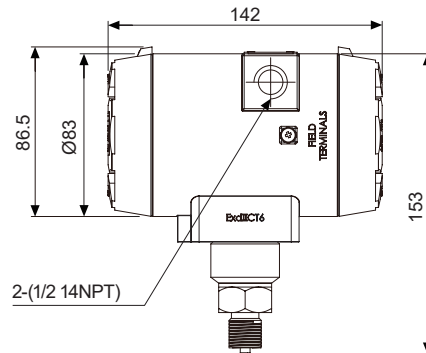
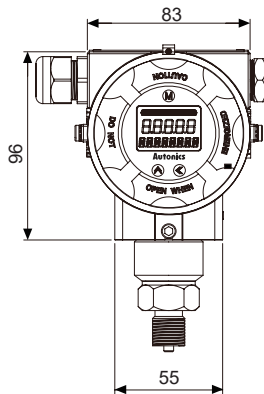
※2: This Explosion class is acquired and managed by Konics Co., Ltd.

※3: The weight includes packaging. The weight in parenthesis is for unit only.

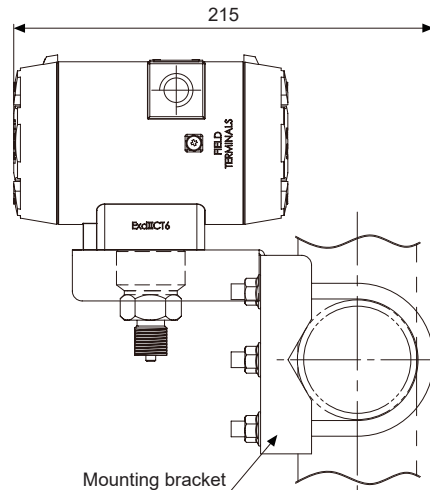
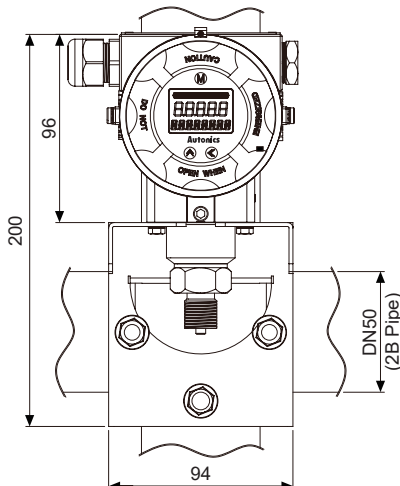
※Environment resistance is rated at no freezing or condensation.

## ■ Dimensions

(unit: mm)

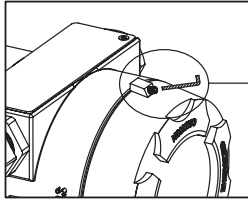


### ● Mounting bracket



# KT-302H Series

## Opening the Cover



To open the cover, unscrew the M3×6L headless bolt using a 1.5 hexagon wrench and rotate the cover.

## Parameters

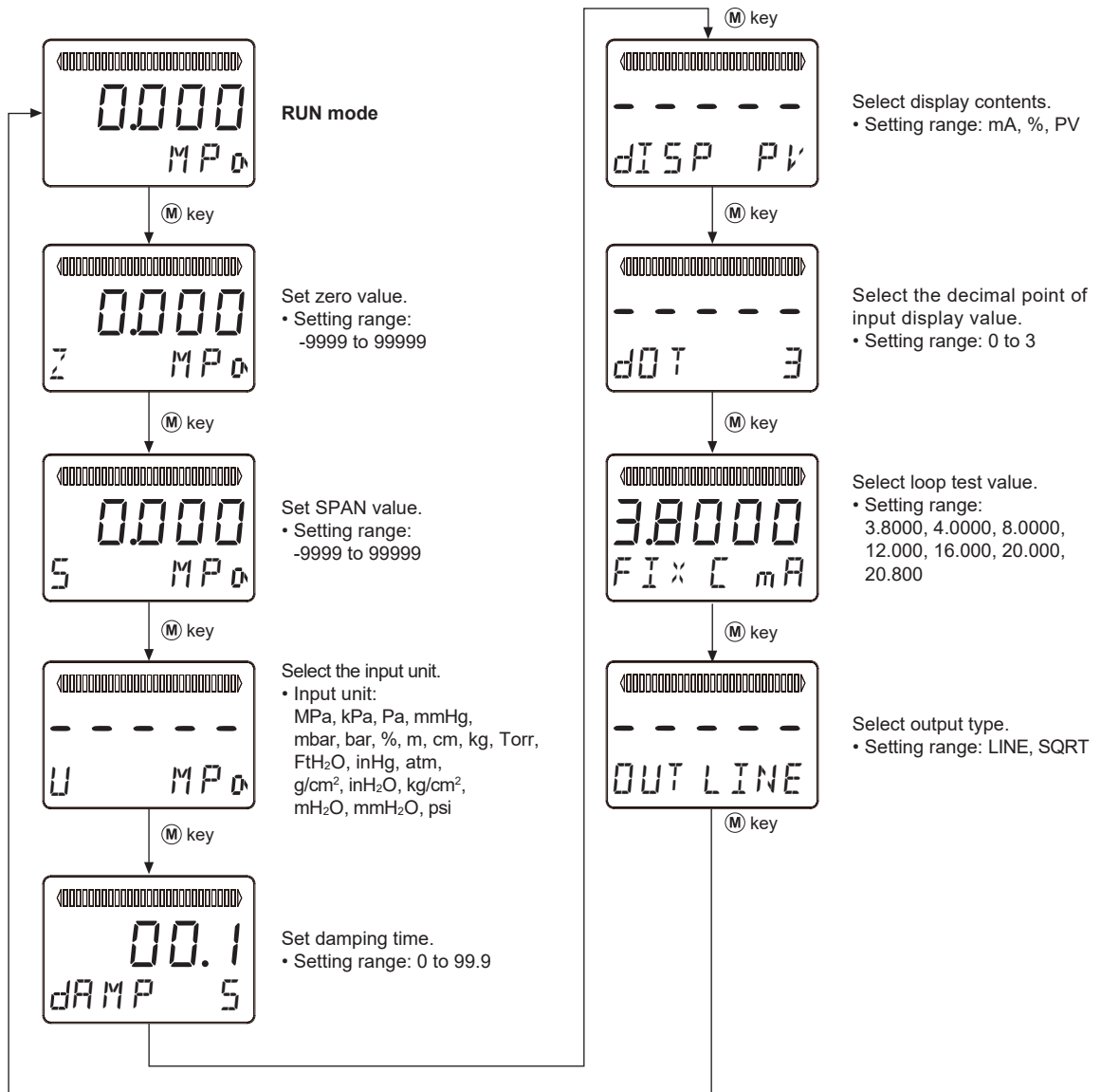
※Do not press the  $\leftarrow$  and  $\rightarrow$  keys at the same time, or the product is reset and it does not operate.

※ $\leftarrow$ : Moves digits /  $\rightarrow$ : Changes set value

※Press the (M) key after checking/changing the set value and it saves and moves to the next parameter.

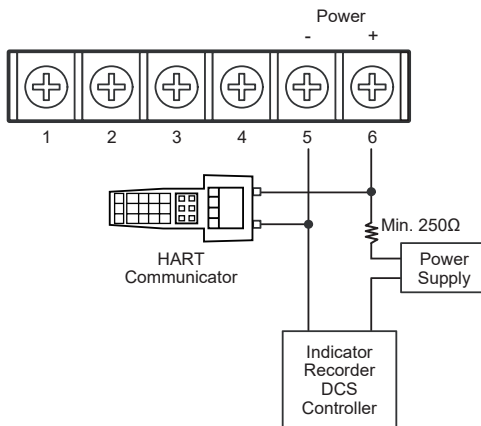
※Factory default depends on the pressure range of model.

※Below displays for parameters are different by models.

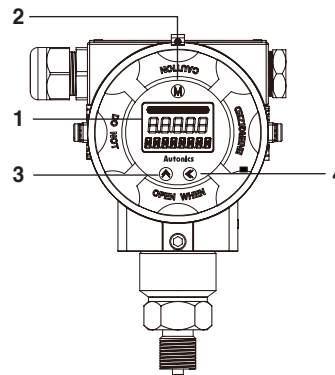


# Display Type Pressure Transmitters

## ■ Connections



## ■ Unit Descriptions



1. **Display part** : Displays measured value and unit messages.
2. **M key**: Enters set mode and saves the set values.
3. **⊕ key**: Changes the set values of data.
4. **⊖ key**: Changes the set position of data.

## ■ Proper Usage

- Follow instructions in 'Cautions during Use'. Otherwise, It may cause unexpected accidents.
  - 9-45VDC power supply should be insulated and limited voltage/current or Class 2, SELV power supply device.
  - The connection of this unit should be separated from the power line and high voltage line in order to prevent inductive noise.
  - Do not use this unit near the high frequency instruments
  - Switch or circuit breaker for supplying or cutting off the power should be installed nearby users for convenient control.
  - Use verified explosion-proof cable gland or sealing fitting.  
(explosion proof standard: over Ex d IIC T6, IP rating: over IP67 protection structure).
  - Use dedicated external terminal for earth. For connecting earth, use a spring washer and earth cable which is over 4mm<sup>2</sup>.
  - This unit may be used in the following environments.
    - ① Indoor / Outdoor (in the environment condition rated in 'Specifications')
    - ② Altitude max. 2,000 m
    - ③ Pollution Degree 2
    - ④ Installation Category II
- ※ **The explosion-proof unit is certified and the same specifications which is reported to Korea Gas Safety Corporation. (This unit is manufactured following by the announcement 2013-54 of Ministry of Employment and Labor of Korea.)**