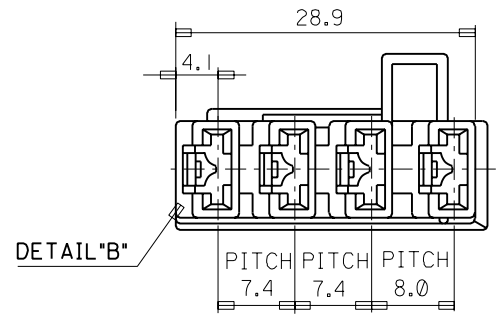
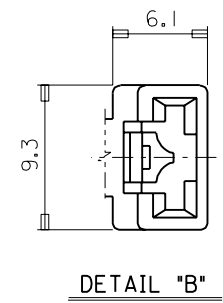
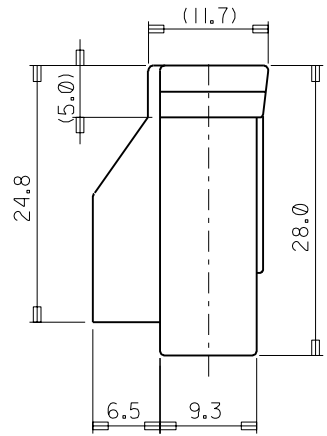
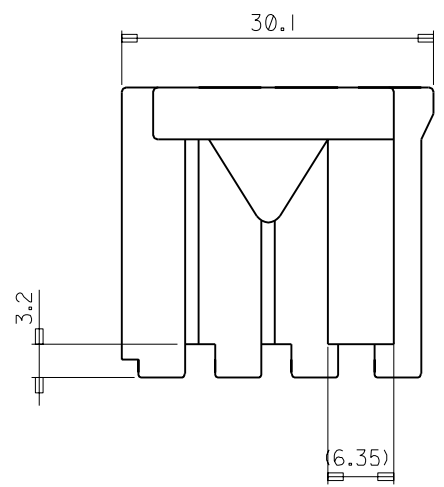
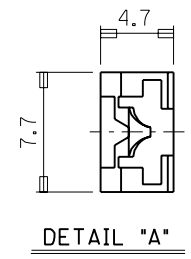
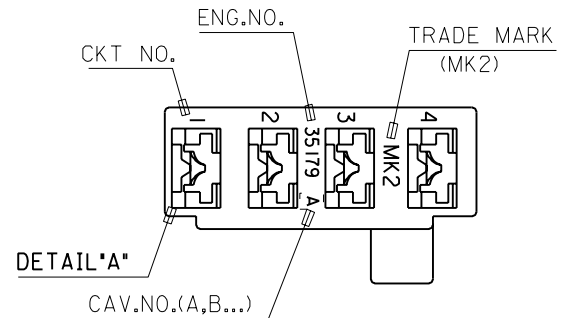


DWG. NO. SD-35179-002
 PROJECT NO. SIMILAR ITEM
 DO NOT SCALE DRAWING DIMENSION IN METRIC



NOTES

- MATERIA : POLYESTER(PBT) , UL94V-0
- APPLICABLE TERMINALS : 35725-40*0
35725-41*0
35725-42*0
- APPLICATION : DEFROST TIMER

REVISED	ECN NO. KOR2002-0061 DRWN: W.Y.YANG 02/01/14 CHK: APPR:	QUALITY SYMBOLS MAJOR CRITICAL	GENERAL TOLERANCES: (UNLESS SPECIFIED)		SCALE 2:1	DESIGN UNITS <input checked="" type="checkbox"/> mm <input type="checkbox"/> INCH	THIRD ANGLE PROJECTION	DIMENSIONS: <input type="checkbox"/> mm <input type="checkbox"/> INCH <input checked="" type="checkbox"/> mm ONLY		SHT	REV		
			4 PLACES ±0.	mm	INCH	±.	DRAWN BY & DATE W.Y.YANG 94/12/01	TITLE: .250 W/B HOUSING-4P					
DI	REV	DESCRIPTION	3 PLACES ±0.	ANGULAR: ± °		CHECKED BY & DATE B.K.CHOI 94/12/01	MATERIAL NO. S35179AB.DGN					DRAWING NO. SD-35179-002	SHEET NO. 1 OF 1
			2 PLACES ±0.30	DRAFT WHERE APPLICABLE MUST REMAIN WITHIN DIMENSIONS		APPROVED BY & DATE C.W.LEE 94/12/01	MATERIAL NO. S35179AB.DGN		DRAWING NO. SD-35179-002		THIS DRAWING CONTAINS INFORMATION THAT IS PROPRIETARY TO MOLEX INCORPORATED AND SHOULD NOT BE USED WITHOUT WRITTEN PERMISSION.		
			1 PLACE ±0.30			CAD FILENAME S35179AB.DGN		MATERIAL NO. S35179AB.DGN		DRAWING NO. SD-35179-002		SHEET NO. 1 OF 1	
						THIS DRAWING CONTAINS INFORMATION THAT IS PROPRIETARY TO MOLEX INCORPORATED AND SHOULD NOT BE USED WITHOUT WRITTEN PERMISSION.		KOREA		SIZE B			