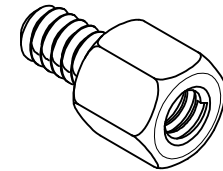
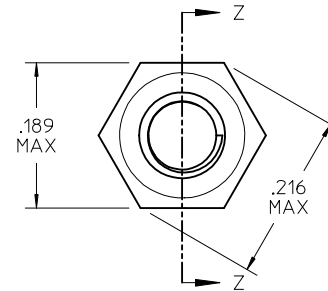
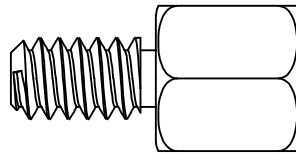
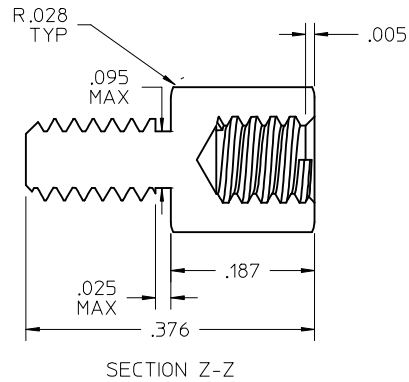
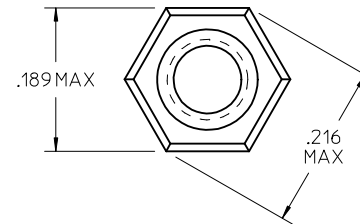
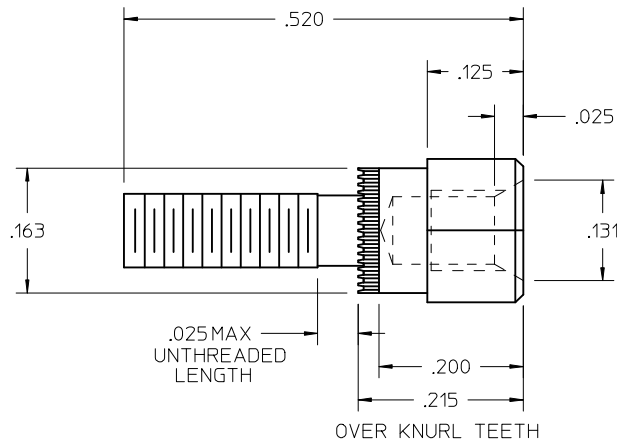
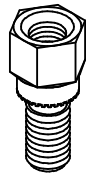


ITEM NUMBER	INTERNAL THREAD	EXTERNAL THREAD	MATERIAL
71781-1000	#4-40 UNC-2B	#4-40 UNC-2A	STAINLESS STEEL 303
71781-2000	#4-40 UNC-2B	#4-40 UNC-2A	STAINLESS STEEL 303

NOTES:
1. PARTS TO BE BULK PACKAGED IN BAGS OF 1,000.



71781-1000



71781-2000
(SELF CLINCHING STYLE)

MANAGE VIEWS EC NO: UCP2015-3736 DRWN: TIBARRA 2015/03/12 CHKD: MCAIN 2015/05/05 APPR: SMILLER 2015/05/13	QUALITY SYMBOLS 	GENERAL TOLERANCES (UNLESS SPECIFIED)		DIMENSION STYLE INCH ONLY		SCALE 8:1	DESIGN UNITS INCH	THIRD ANGLE PROJECTION		
		4 PLACES ± --- ± ---	mm	INCH	DRAWN BY TIBARRA	DATE 2014/08/01	TITLE 3/16 HEX JACKPOSTS INT/EXT #4-40 THREAD			
		3 PLACES ± --- ± .005			CHECKED BY MPOFF	DATE 2014/08/29				
		2 PLACES ± --- ± ---			APPROVED BY SMILLER	DATE 2014/09/04				
1 PLACE ± --- ± ---			MATERIAL NO. SEE TABLE		DOCUMENT NO. SD-71781-1000	SHEET NO. 1 OF 1				
0 PLACE ± ±			ANGULAR ±1/2°		THIS DRAWING CONTAINS INFORMATION THAT IS PROPRIETARY TO MOLEX INCORPORATED AND SHOULD NOT BE USED WITHOUT WRITTEN PERMISSION					
DRAFT WHERE APPLICABLE MUST REMAIN WITHIN DIMENSIONS										