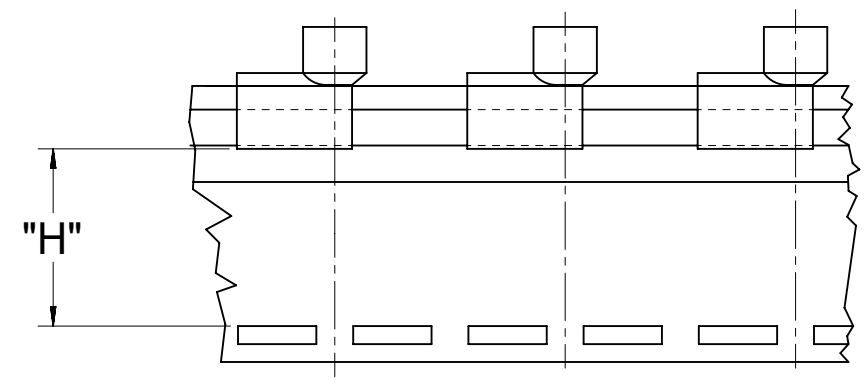
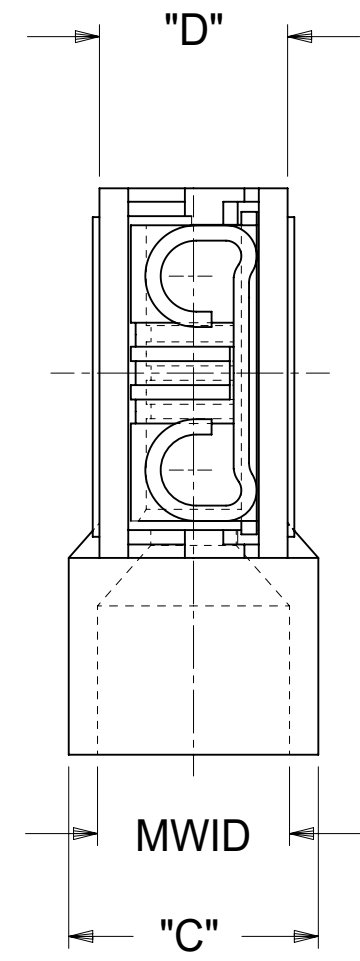
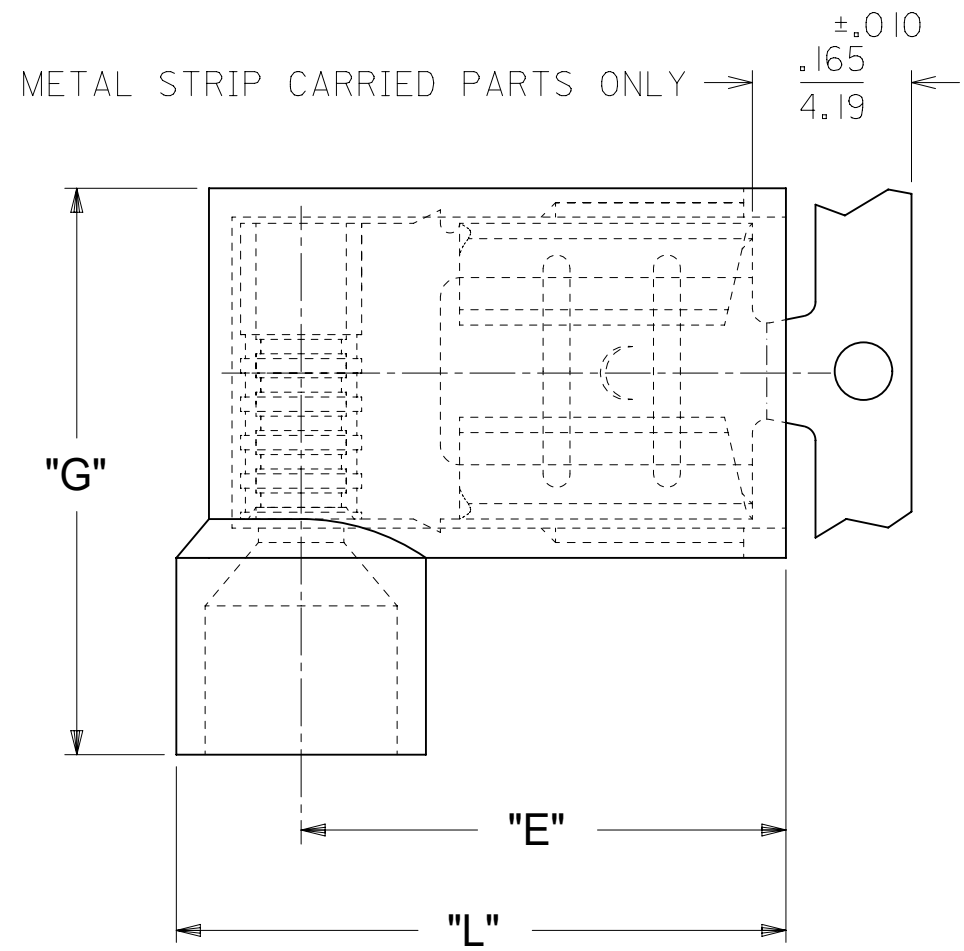


| LOOSE PIECE | | METAL STRIP CARRIED | | MYLAR TAPE CARRIED | | FEATURES | | | DIMENSIONS | | | | | | |
|-----------------|--------------------|---------------------|--------------------|--------------------|--------------------|----------|--------|---------------------|------------|-----------------|-----------------|-----------------|-----------------|-----------------|---------------|
| MATERIAL NUMBER | ENGINEERING NUMBER | MATERIAL NUMBER | ENGINEERING NUMBER | MATERIAL NUMBER | ENGINEERING NUMBER | AWG | COLOR | FITS TAB SIZE | MWID | L ± .015 / 0.38 | G ± .015 / 0.38 | E ± .015 / 0.38 | C ± .015 / 0.38 | D ± .015 / 0.38 | H ± .02 / 0.5 |
| 190070001 | AA-2220 | 190070008 | AA-2220Z | 190070004 | AA-2220T | 22-18 | RED | .250x.032/6.35x0.81 | .176/4.47 | .630/16.00 | .585/14.86 | .512/13.00 | .236/5.99 | .197/5.00 | .93/23.6 |
| 190070021 | BB-2221 | 190070028 | BB-2221Z | 190070024 | BB-2221T | 16-14 | BLUE | .250x.032/6.35x0.81 | .200/5.08 | .630/16.00 | .585/14.86 | .500/12.70 | .260/6.60 | .197/5.00 | .93/23.6 |
| 190070040 | C-2211 | 190070041 | C-2211Z | 190070053 | C-2211T | 12-10 | YELLOW | .250x.032/6.35x0.81 | .260/6.60 | .667/16.93 | .677/17.20 | .511/12.98 | .311/7.90 | .246/6.25 | .97/24.6 |



PARTS ON TAPE

NOTE(S):
 1. MWID = MAX. WIRE INSULATION DIA.
 2. MATERIAL:
 HOUSING: NYLON
 TERMINAL: TIN-PLATED BRASS
 3. ASSEMBLY IS RoHS COMPLIANT.

D1

| | | | | | | | | | | | |
|---|--|---------------------|--|---|--|------------------------|--|---|--|----------------------------|--|
| THIS DRAWING CONTAINS INFORMATION THAT IS PROPRIETARY TO MOLEX ELECTRONIC TECHNOLOGIES, LLC AND SHOULD NOT BE USED WITHOUT WRITTEN PERMISSION | | | | | | | | | | | |
| DIMENSION UNITS INCH/MM | | SCALE 5:1 | | CURRENT REV DESC: REMOVE STOP SIGN INFO "PRE-RELEASE REFERENCE USE ONLY" | | | | | | | |
| GENERAL TOLERANCES (UNLESS SPECIFIED) | | | | EC NO: 692915 | | | | | | | |
| | | | | DRWN: DMYRICK 2022/01/20 | | | | FLAG QUICK DISCONNECT, FULLY INSULATED, .250 X .032 TAB SIZE | | | |
| 4 PLACES ± | | | | CHK'D: JMACNEIL 2022/01/21 | | | | PRODUCT CUSTOMER DRAWING | | | |
| 3 PLACES ± | | ± 0.005 | | APPR: JMACNEIL 2022/01/21 | | | | DOCUMENT NUMBER | | | |
| 2 PLACES ± | | ± 0.13 ± 0.01 | | INITIAL REVISION: | | | | SD-19007-004 | | DOC TYPE | |
| 1 PLACE ± | | ± | | DRWN: EHILE 2006/12/15 | | | | PSD | | DOC PART | |
| 0 PLACES ± | | ± | | APPR: JMACNEIL 2006/12/15 | | | | 001 | | REVISION | |
| ANGULAR TOL ± 0.5° | | | | THIRD ANGLE PROJECTION | | | | D1 | | | |
| DRAFT WHERE APPLICABLE MUST REMAIN WITHIN DIMENSIONS | | | | DRAWING B-SIZE | | SERIES 19007 | | MATERIAL NUMBER SEE TABLE | | CUSTOMER GENERAL MARKET | |
| | | | | | | | | SHEET NUMBER 1 OF 1 | | | |