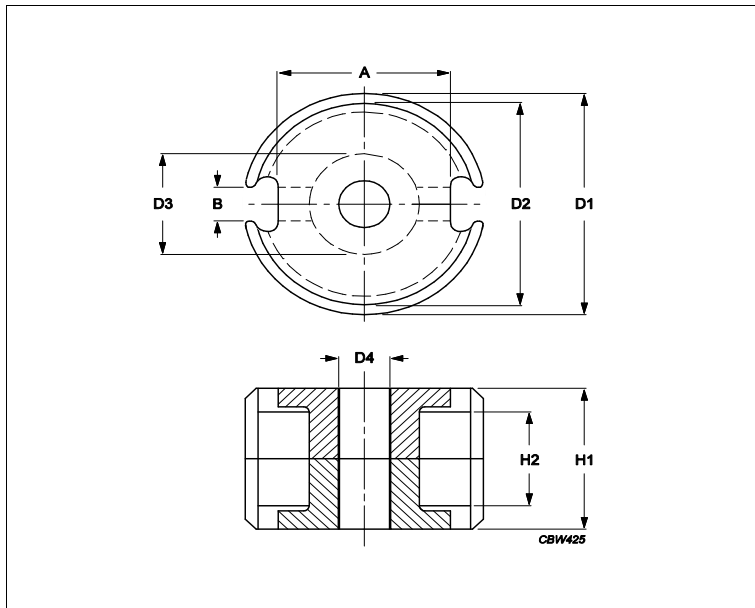


Core **P14/8**



Effective parameters			
	Parameter	Value	Unit
$\Sigma(I/A)$	core factor (C1)	0.789	mm ⁻¹
Ve	effective volume	495	mm ³
Le	effective length	19.8	mm
Ae	effective area	25.1	mm ²
Amin	minimum area	19.8	mm ²
m	P14/8	≈ 3.2	g/set

Dimensions for product: P14/8

	Nom	Tol +	Tol -	Max	Min	Unit
A	9.50	0.30	0.30	9.80	9.20	mm
B	2.70	1.20	0.00	3.90	2.70	mm
D1	14.30	0.00	0.50	14.30	13.80	mm
D2	11.60	0.40	0.00	12.00	11.60	mm
D3	6.00	0.00	0.20	6.00	5.80	mm
D4	3.10	0.10	0.10	3.20	3.00	mm
H1	8.40	0.10	0.20	8.50	8.20	mm
H2	5.60	0.40	0.00	6.00	5.60	mm

Inductance factor

Material	Value	Tol +	Tol -	Unit
3C91	2800	25%	25%	nH/turns ²
3D3	1000	25%	25%	nH/turns ²
3H3	2150	25%	25%	nH/turns ²
4C65	190	25%	25%	nH/turns ²

Power loss: 3C91

Measuring conditions			Max	Unit
100 kHz	200 mT	60 °C	0.250	W/set

Bsat

Measuring conditions			Material	Min	Unit
25 kHz	250 A/m	100 °C	3C91	320	mT

Core **P14/8**

Accessories		
Ordering name	Description	Ordering code
BPL/D-CLM/C-P14/8-C	Base plate, D shape to be used with CL	432202145081
BPL/R-CLM/C-P14/8-C	Base plate, round to be used with CLM/	432202145111
CLM/C-P14/8	Clamp, pin bend mounted	432202145121
CLM/T-P14/8-C	Clamp, self locking	432202126491
CLM/TP-P14/8-C	Clamp, self locking, with ground pin	432202126151
CON-P14/8	Container	432202103041
CP-P14/8-1S	Coil former, termoplastic	432202102361
CP-P14/8-1S-A	Coil former, termoplastic	433500026041
CP-P14/8-2S	Coil former, termoplastic	432202102371
CP-P14/8-3S-A	Coil former, termoplastic	433500026061
CPV-P14/8-1S-4SPD-Z	Coil former, termoplastic, vertical	433506026351
CPV-P14/8-1S-6PD-Z	Coil former, termoplastic, vertical	433506026371
CPV-P14/8-2S-4SPD-Z	Coil former, termoplastic, vertical	433506026391
CPV-P14/8-2S-6PDL-Z	Coil former, termoplastic, vertical	433506026421
CPV-P14/8-2S-6PD-Z	Coil former, termoplastic, vertical	433506026411
SPR-P14/8	Spring	432202130631
TGP-P14/8-C	Tag plante	432202104261
WAS-CLM/C-P14/8	Washer, phenolformaldehyde (PF) to b	433500045131