

General Purpose Relays

R02 Series



Features

- Hermetically Sealed, Metal Enclosure Types (H-suffix)
- U/L Approved for Class 1, Div 2 Hazardous Locations (H-suffix)
- Push-to-Test Button Types (B-suffix)
- Mechanical Indicator Types (M-suffix)
- Indicator Lamp Types (N-suffix)
- 8-Pin and 11 -Pin Octal Plug-In Types
- SPDT, DPDT and 3PDT Types
- Clear Plastic Dust Cover

AC OPERATED

NTE TYPE No.	Nom. Voltage	Contact Arr.	Coil Res. Ohms (Typ)	Nom. Power	Max. Contact Cur. @ 28VDC or 120VAC	Diag No.
R02-5A10-12	12VAC	SPDT	-	3.9VA	10A	D1C
R02-5A10-240	240VAC	SPDT	-	3.9VA	10A	D1C
R02-11A10-6	6VAC	DPDT	-	2.0VA	10A	D1A
R02-11A10-12	12VAC	DPDT	-	2.0VA	10A	D1A
R02-11A10-24	24VAC	DPDT	-	2.0VA	10A	D1A
R02-11A10-24H	24VAC	DPDT	-	3.0VA	10A	D2A
R02-11A10-24N	24VAC	DPDT	-	2.0VA	10A	D1A
R02-11A10-120	120VAC	DPDT	-	2.0VA	10A	D1A
R02-11A10-120H	120VAC	DPDT	-	3.0VA	10A	D2A
R02-11A10-120N	120VAC	DPDT	-	2.0VA	10A	D1A
R02-11A10-240	240VAC	DPDT	-	2.0VA	10A	D1A
R02-14A10-6	6VAC	3PDT	-	3.9VA	10A	D1B
R02-14A10-6M	6VAC	3PDT	-	3.9VA	10A	D1B
R02-14A10-12	12VAC	3PDT	-	2.75VA	10A	D1B
R02-14A10-24	24VAC	3PDT	-	2.75VA	10A	D1B
R02-14A10-24B	24VAC	3PDT	-	2.75VA	10A	D1B
R02-14A10-120	120VAC	3PDT	-	2.75VA	10A	D1B
R02-14A10-120H	120VAC	3PDT	-	3.0VA	10A	D2B
R02-14A10-120N	120VAC	3PDT	-	2.75VA	10A	D1B
R02-14A10-240	240VAC	3PDT	-	2.75VA	10A	D1B

DC OPERATED

R02-5D10-6	6VDC	SPDT	30	1.2W	10A	D1C
R02-5D10-110	110VDC	SPDT	10K	1.2W	10A	D1C
R02-11D10-6	6VDC	DPDT	30	1.2W	10A	D1A
R02-11D10-12	12VDC	DPDT	120	1.0W	10A	D1A
R02-11D10-12H	12VDC	DPDT	100	1.5W	10A	D2A
R02-11D10-12N	12VDC	DPDT	120	1.0W	10A	D1A
R02-11D10-24	24VDC	DPDT	470	1.0W	10A	D1A
R02-11D10-24B	24VDC	DPDT	470	1.0W	10A	D1A
R02-11D10-24H	24VDC	DPDT	472	1.2W	10A	D2A
R02-11D10-48	48VDC	DPDT	1630	1.5W	10A	D1A
R02-11D10-110	110VDC	DPDT	10K	1.2W	10A	D1A
R02-11D10-110H	110VDC	DPDT	8K	1.5W	10A	D2A
R02-14D10-6	6VDC	3PDT	30	1.2W	10A	D1B
R02-14D10-12	12VDC	3PDT	120	1.0W	10A	D1B
R02-14D10-12B	12VDC	3PDT	120	1.0W	10A	D1B
R02-14D10-24	24VDC	3PDT	470	1.0W	10A	D1B
R02-14D10-48	48VDC	3PDT	1630	1.5W	10A	D1B
R02-14D10-110	110VDC	3PDT	10K	1.2W	10A	D1B

Note 1. R02 Series hermetically sealed relays (H-suffix) are UL recognized for Class1, Division 2 (Hazardous locations).

Note 2. The R02 Series is generally being replaced by the R03 Series full-feature relays shown on Page 4.

General Purpose, 10 Amp Multicontact AC and DC Relays.



Electrical Specifications

Contact

Contact Rating

Poles	120VAC	240VAC	28VDC Max
SPDT	10A (1/10 HP)	10A (1/6 HP)	6A
DPDT	10A (1/3 HP)	10A (1/3 HP)	10A
3PDT	10A (1/3 HP)	6A (1/2 HP)	6A

Contact Material: 3/16" Silver cadmium oxide

Contact Resistance: 0.050 ohms max initial

Coil

Coil Voltages: See Chart

Pick-up Voltage: 80% of nominal or less, DC
80% of nominal or less, AC

Resistance: See chart

Min Sensitivity: (125mW per pole)

Duty Cycle: Continuous

Operational Characteristics

Timing Values **Operate Time:** 25 ms or less } at nominal
Release Time: 20 ms or less } coil voltage

Insulation Characteristics

Dielectric Strength

Contact To Coil: 1500 VRMS
Across Open Contacts: 1000 VRMS
Pole to Pole: 1500 VRMS
Contacts To Frame: 1500 VRMS

Insulation Material: Molded polyester

Insulation Resistance: 1 x 10³ megohms min

Environmental Characteristics

Operating: -10°C to +50°C (AC), -10°C to +60°C (DC)

Non-operating (storage): -30°C to +105°C

Weight

Std: 3 1/2 ozs (99.2 grams)—typical

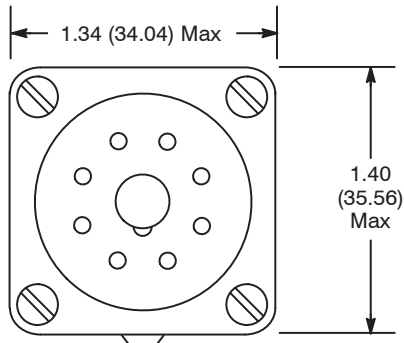
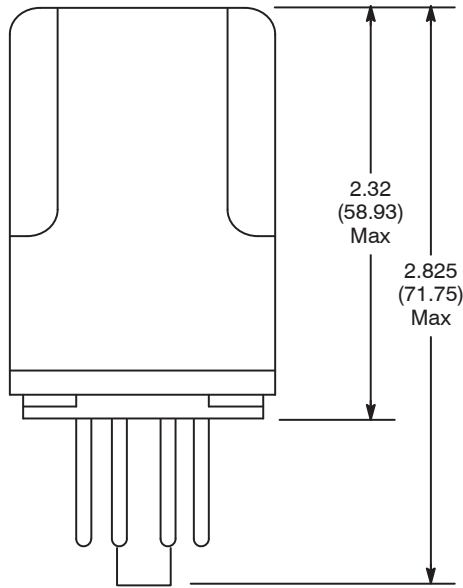
Hermetic sealed: 5 ozs (141.7 grams)—typical

ACCESSORIES

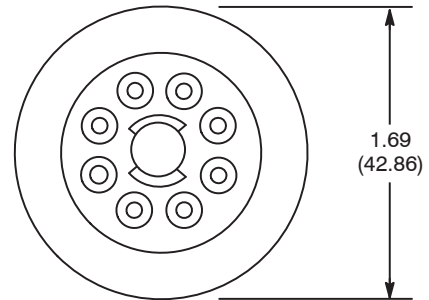
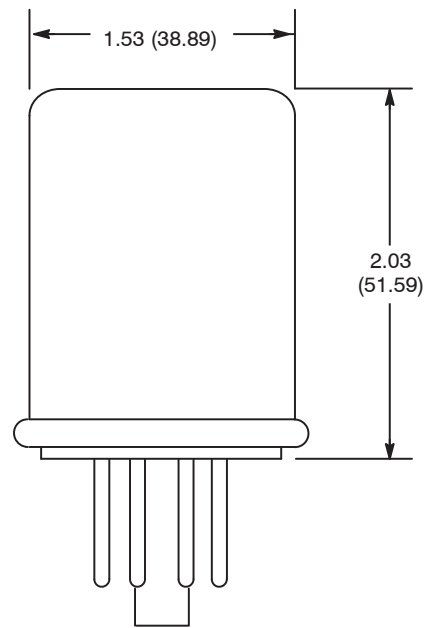
MOUNTING STYLES	DESCRIPTION	NTE TYPE NO.
SURFACE MOUNT	8-PIN OCTAL	R95-101
	11-PIN OCTAL	R95-104
DIN RAIL MOUNT	8-PIN OCTAL	R95-113, R95-181
	11-PIN OCTAL	R95-114, R95-182
PANEL MOUNT	8-PIN OCTAL	R95-118
	11-PIN OCTAL	R95-119

General Purpose Relays

D1

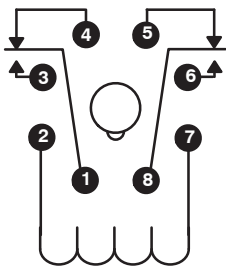


D2



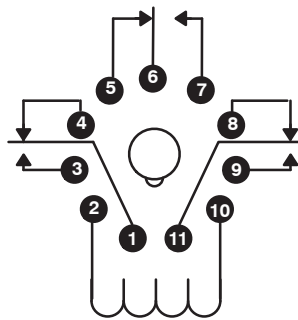
Note: Models with "N" suffix will have indicator lamp connected across coil.

A (DPDT), 2 Form "C"



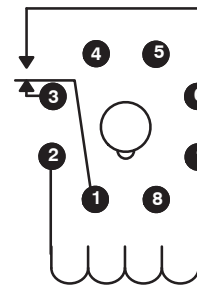
Viewed from Pin end of Plug

B (3PDT), 3 Form "C"



Viewed from Pin end of Plug
Note: R02-14A10-120H has Pin5 and Pin6 Reversed.

C (SPDT), 1 Form "C"



Viewed from Pin end of Plug