



Project Name _____

Catalog No. _____ Date _____

The Hubbell Control Solutions (HCS) Duplex Receptacle is the latest addition to the HCS comprehensive offering for controlled devices. Featuring Hubbell's exclusive and patented tamper-resistant mechanism, the unit is capable of controlling other receptacles downstream in the branch circuit. Hubbell offers this innovative device in a wired control option. The series is designed to be automatically controlled by a low voltage signal from occupancy sensors or any other type of control capable of performing this task, such as a time-of-day control device. This controlled receptacle solution is fully compatible with existing systems.

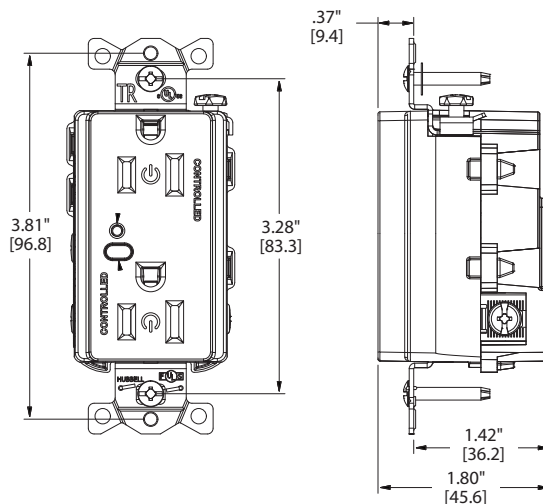
Product Features

- Split or Fully Controlled 15A or 20A Options
- Downstream Branch Circuit Control
- Permanent NEC 406.3 (E) Markings
- UL498B SA Listed Receptacles with Integral Switching Comply with Supplement SA
- Fed Spec W596G

Compliance and Certification



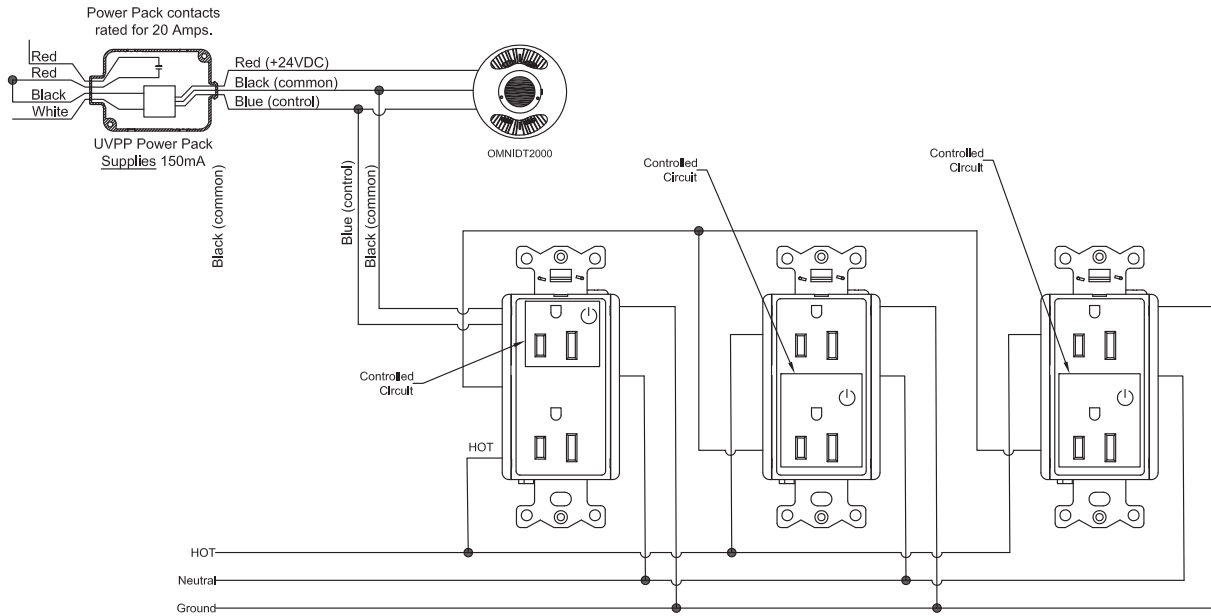
Dimensional Data



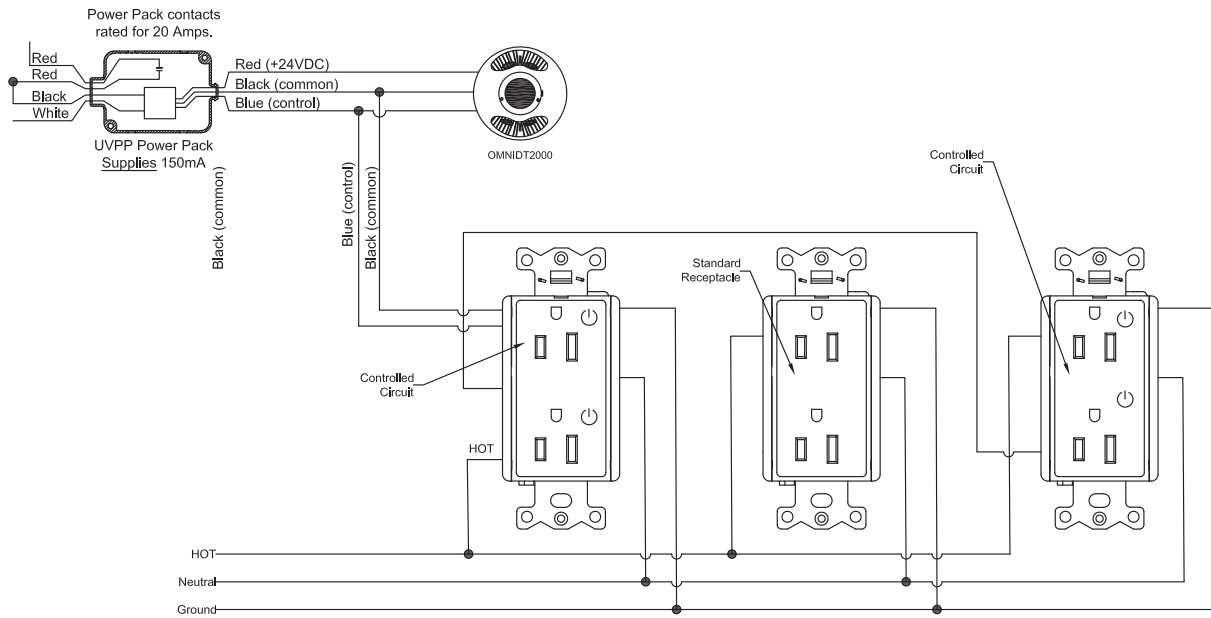
Ordering Information Example: HCSREC-F-20A-WH

MODEL	CONTROL	AMPERAGE	COLOR
HCSREC	S Split Control	15A 15 Amps	BK Black
	F Full Control	20A 20 Amps	BR Brown
			GY Gray
			GN Green
			IV Ivory
			LA Light Almond
			WH White

Wiring Diagrams



Partially Controlled Receptacles



Fully Controlled Receptacles

General Specifications

Receptacle	Straight Blade Switched Duplex Receptacle 2 Pole, 3Wire Grounding	
Ratings	Uncontrolled (Always Hot) 20A, 125V	
	Low voltage control input voltage: 24VDC	
	Controlled (Switched) Tungsten 12.5A	
	CFL & LED: 5A	
Certifications	Motor load: 1 HP	
	cUL 498B SA	
Environmental	Fed. Spec. WC596G	
	Flammability	UL94V-2
	Operating Temperature	32°F (0°C) TO 104°F (40°C)
Part	Description	
Flammability	UL94V-2	
Operating Temperature	32°F (0°C) TO 104°F (40°C)	
Part	Description	
Top	Nylon	
Base	Nylon	
Power Contacts	0.031 in. (0.8) Brass	
Wire Clamp	0.062 in. (1.6) Steel-Nickel Finish	
Mounting Strap	0.047 in. (1.2) Brass	
Line Terminal Screws	#8-32 Brass, Multiple Drive	
Ground Terminal screw	#8-32 Brass, Multiple Drive	
Automatic Self-Grounding Staple	Stainless Steel	
Mounting Screws	Zinc Plated Steel	