

- 1
- 2
- 3
- 4
- 5
- 6
- 7
- 8
- 9
- 10
- 11
- 12
- 13
- 14
- 15
- 16
- 17
- 18

MATERIAL

Glass-fibre reinforced polyamide based (PA) technopolymer, black or grey colour RAL 7040 (C33), matte finish.

BMS.EH - BMS.A: glass-fibre reinforced polyamide based (PA) technopolymer actuator, black colour, matte finish.

SPRINGS, SREW AND WASHER

Stainless steel.

STANDARD EXECUTIONS

The door lock consists of a spring with a retaining tooth and a fixing plate.

- **BMS**: snap lock and unlock.

BMS-100: Opening strength 100 N.

BMS-250: Opening strength 250 N.

- **BMS.L**: snap lock, manual release by means of a lever.

- **BMS.EH**: snap lock, manual release by means of hexagonal key 8 mm (not supplied), 90° rotation.

- **BMS.A**: snap lock, manual release by means of a two-wing key (included in the supply), 90° rotation.

FEATURES AND APPLICATIONS

BMS door lock (Elesa patent) allows the closing of swing doors quickly and easily.

For the installation of a door lock, use M4 TCEI screws (not included in the supply).

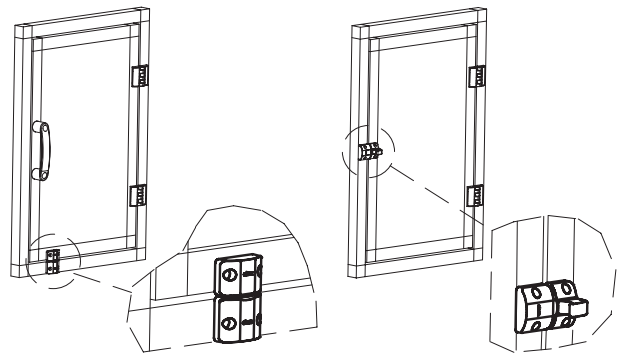
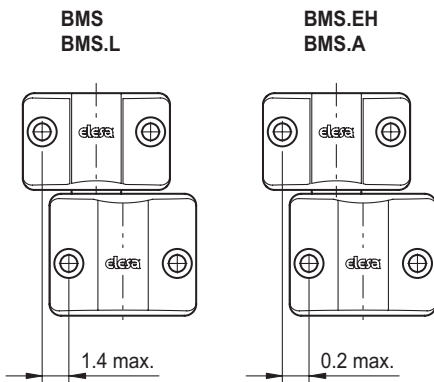
Under specific tests, the clamp tooth showed constant performances for more than 20.000 cycles.

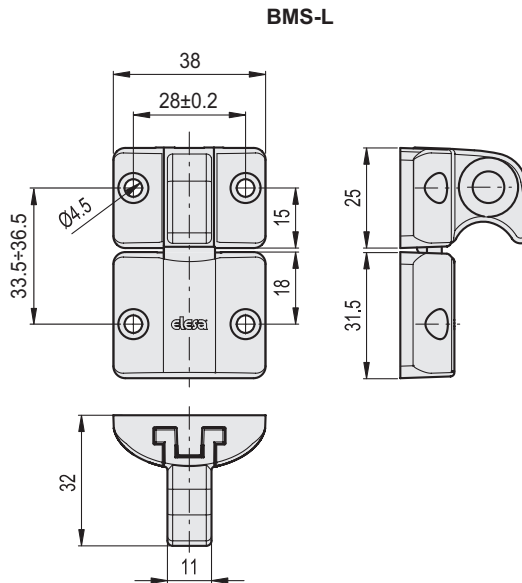
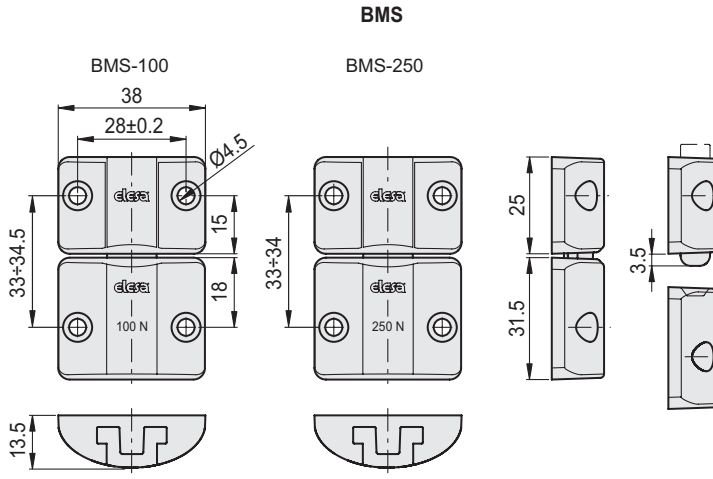
SPECIAL EXECUTION ON REQUEST

Door lock in white colour similar to RAL 9002.



ELESA Original design





BMS

METRIC

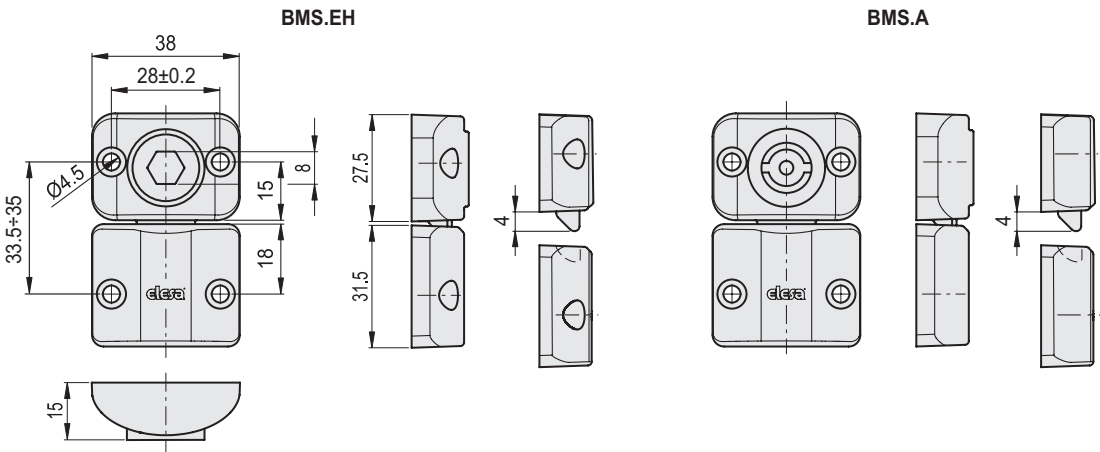
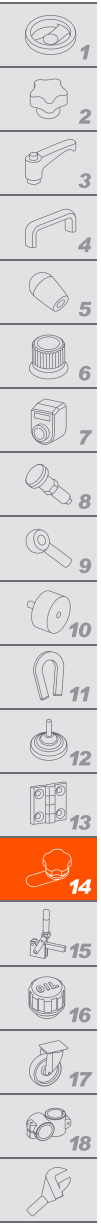
Code	Description	Closing strength [N]*	Opening strength [N]*	⚖️
627001	BMS.32-25-CH4-100	60	100	23
627001-C33	BMS.32-25-CH4-100-C33	60	100	23
627003	BMS.32-25-CH4-250	60	250	23
627003-C33	BMS.32-25-CH4-250-C33	60	250	23

BMS.L

METRIC

Code	Description	Closing strength [N]*	Resistance to opening [N]	⚖️
627006	BMS.L-32-25-CH4	25	2500	27
627006-C33	BMS.L-32-25-CH4-C33	25	2500	27

* Values referring to the installation with hole centre distance of 34 mm.



BMS.EH

METRIC

Code	Description	Closing strength [N]*	Resistance to opening [N]	⚖️
627004	BMS.EH-32-28-CH4	30	1200	23
627004-C33	BMS.EH-32-28-CH4-C33	30	1200	23

BMS.A

METRIC

Code	Description	Closing strength [N]*	Resistance to opening [N]	⚖️
627002	BMS.A-32-28-CH4	30	1200	23
627002-C33	BMS.A-32-28-CH4-C33	30	1200	23

3 * Values referring to the installation with hole centre distance of 34 mm.