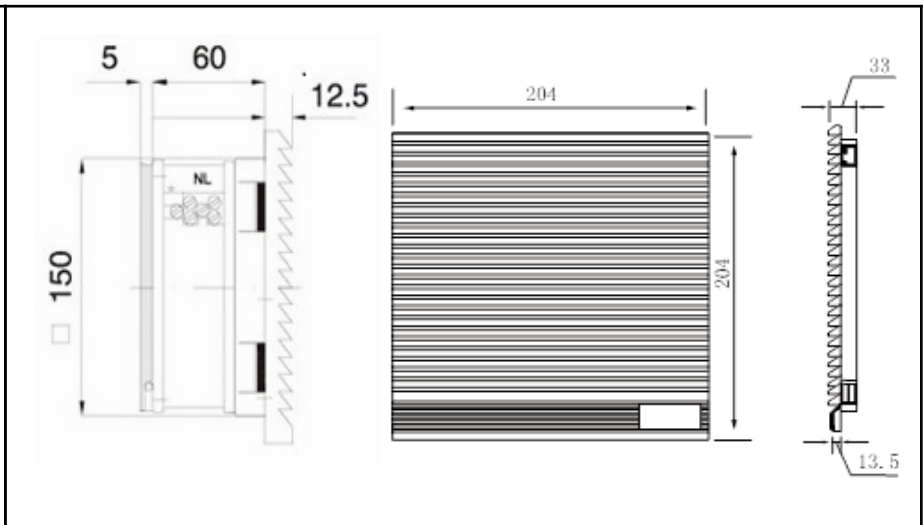


# OA172LFG Series

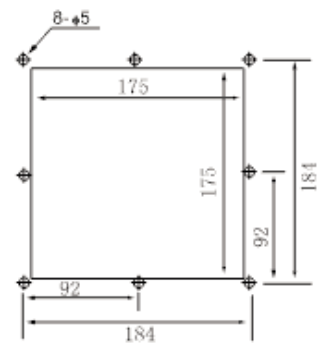


## Louvered Filter Fan Kit with Fan Installed



<b>Frame</b>	Diecast Aluminum	<b>Operating Temperature</b> Ball Bearing -40C ~ +70C  <b>Life Expectancy</b> Ball Bearing 60,000 hours (L10 at 40C)  <b>Environmental:</b> Class B Insulation Rated IP54 Guard Guard Frame: ABS Resin UL94V-0 with UV protection Color: Black (standard) or Gray Filter Mesh: Nylon fiber Synthetic Resin	
<b>Impeller</b>	PBT, UL94V-O plastic		
<b>Connection</b>	2x Lead Wires or Terminals		
<b>Motor</b>	Capacitor drive, impedance protected		
<b>Bearing System</b>	Dual ball		
<b>Insulation Resistance</b>	>100M ohm between lead-wire and frame (500VDC)		
<b>Dielectric Strength</b>	1 min at 1500 VAC, 50/60Hz		

Model Number	OA172LFG111T	OA172LFG221T
<b>Nominal Voltage</b>	115 VAC	230 VAC
<b>Voltage Range</b>	80 ~ 130 VAC	160 ~ 260 VAC
<b>Rated Power</b>	35 W	35 W
<b>Rated Speed (RPM)</b>	3200	3200
<b>Airflow (CFM)</b>	235	235
<b>Noise Level (dB)</b>	52	52
<b>Max. Static Pressure</b>	0.70 "H2O	0.70 "H2O



PANEL CUTOUT

\* Note: Airflow data is for the fan without the louvered filter attached. Calculations indicate that up to a 40% reduction (~ 141 CFM) in fan airflow is possible with LFG unit installed.