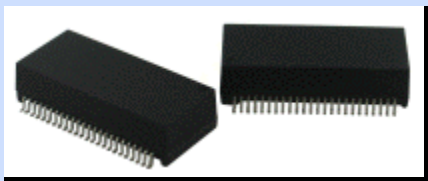


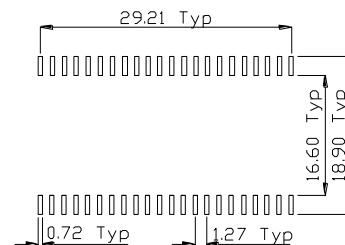
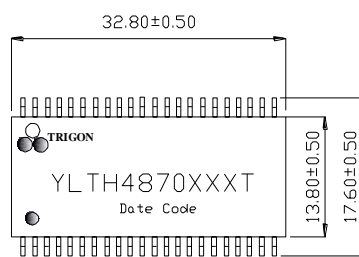
YLTH4870 Series

10G Base-T SMD Dual ports Magnetics Modules

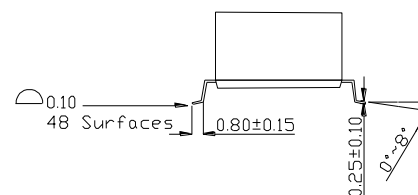
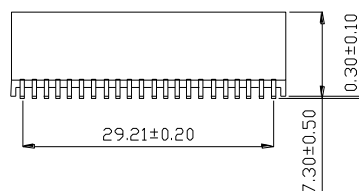
TRIGON
COMPONENTS



Mechanical Dimensions



SUGGESTED PAD LAYOUT



FEATURES

- Surface Mount
- Cost Effective
- Optimum Performance
- Industrial Standard Footprint
- Optional Pin-Outs
- Cable Interface For Isolation
- Low Common Mode Emissions
- RoHS Compliant
- Meets IEEE 802.3an Standard For 10G Base-T.

APPLICATIONS

- Designed For Ethernet 10G Base-T, Full Dual Ports Application
- High Speed Routers/Switches

ORDERING CODE

YLT H 4870XXX T
(1) (2) (3) (4)

- (1) LAN Transformer
- (2) High Speed Over One Gigabit
- (3) Series code
- (4) Package
T= Tape & Reel

IC Manufactures Reference Application:

Marvell:
-88X3120, 88X3140, 88X3240P, 88X3340P, 88X3310P

Broadcom:
-BCM84848, BCM84883, BCM84888

Aquantia:
-AQR107, AQR407, AQR105, AQR205, AQR405

YLTH4870 Series

10G Base-T SMD Dual Ports Magnetics Modules

TRIGON
COMPONENTS

Electrical Specifications @ 25°C, Operating Temperature 0°C~70°C

Part Number	OCL (uH Min)	Insertion Loss (dB Max)	Return Loss (dB Max)	Returnn Loss (dB Max)	Cross Talk (dB Typ)	CMRR (dB Typ)	PoE Rating	Hipot (Vrms)
	100KHz, 0.1Vrms	1-400MHz / 400-500MHz	1-40MHz	40-500MHz	1-500MHz	1-500MHz	Watt	For 1 Minute
YLTH48701T	120	-2.0 / -3.0	-19	$-19+10\log(f/40)$	-25	-25	NON-PoE	1500
YLTH48702T	120	-2.0 / -3.0	-19	$-19+10\log(f/40)$	-25	-25	NON-PoE	1500

*These Transformers with Operating Temperature At -40°C~+85°C, Are Available Upon Request.

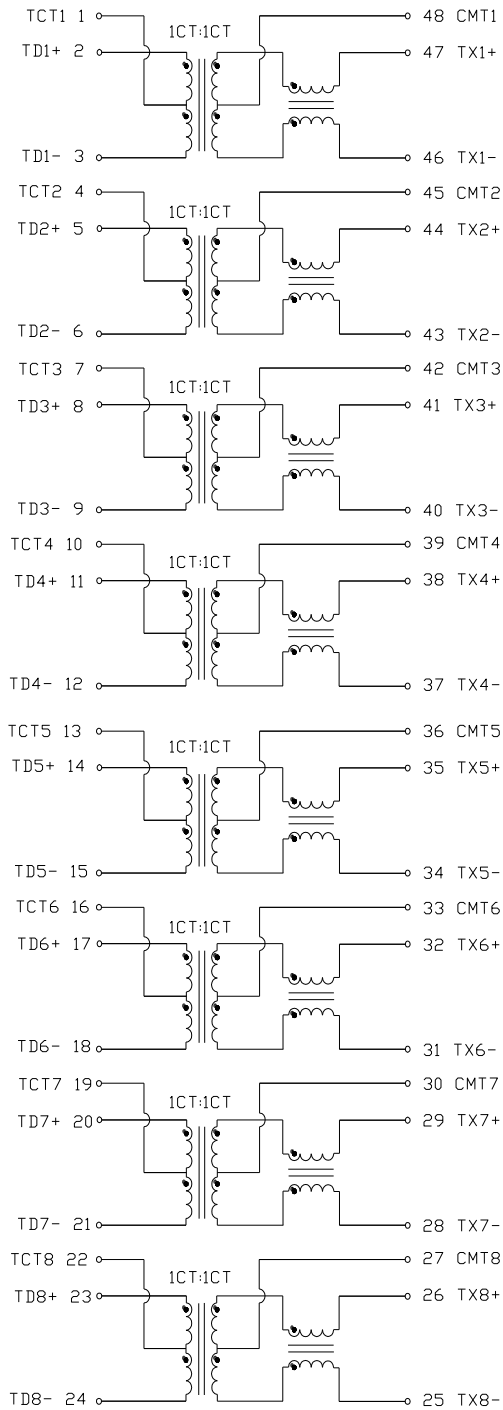
YLTH4870 Series

10G Base-T SMD Dual Ports Magnetics Modules

TRIGON
COMPONENTS

Schematic

YLTH48701T



YLTH48702T

