

CABLE 406 RF: RF CABLE ASSEMBLY, MURATA JSC PLUG + RP SMA STRAIGHT BULKHEAD JACK + 0.81MM CABLE, 6GHz

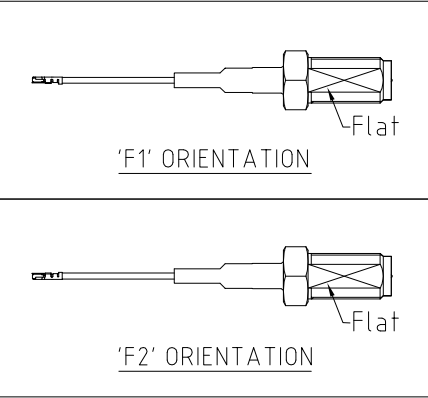
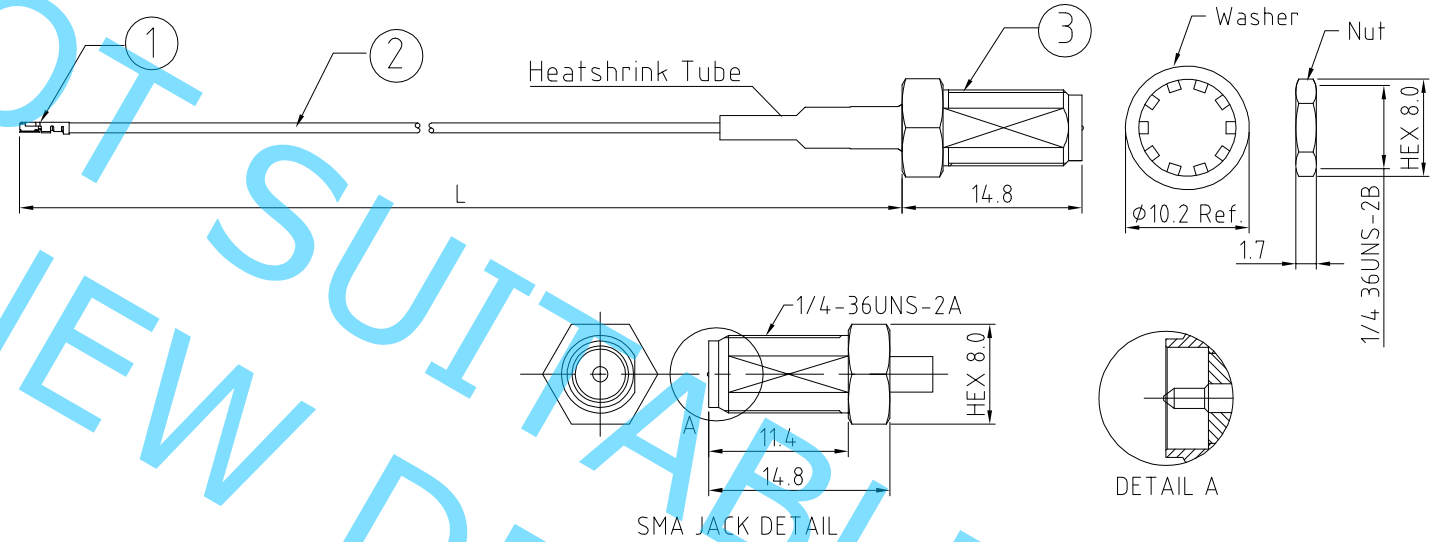
SPECIFICATIONS:

1. MURATA JSC PLUG (MXJA01)
2. 0.81MM COAXIAL CABLE, COLOR: WHITE
3. RP SMA STRAIGHT BULKHEAD JACK, GOLD (RFCT-SMA007-F08)

NOTES:

1. THE ORIENTATION OF CONNECTORS ON DRAWING IS FOR REFERENCE ONLY, IF THE ORDER IS LEFT BLANK THE CONNECTOR WILL NOT HAVE FIXED ORIENTATION.
2. FIXED ORIENTATION IS SUGGESTED FOR CABLE LENGTH 25MM TO 100MM. PLEASE SPECIFY THE FIXED ORIENTATIONS FROM THE ORDER CODE (F1, F2, ETC)
3. CONTACT GRAD CONN IF THE ORIENTATION YOU REQUIRE IS NOT SHOWN.
4. WORKING FREQUENCY RANGE: DC-6GHz
5. OPERATING TEMPERATURE: -40°C TO+85°C
6. IMPEDANCE: 50 OHM

**USAGE PRECAUTIONS: CABLES USING 'MICRO' COAX ARE DELICATE:**  
 (i) HANDLE WITH CARE.  
 (ii) DO NOT TWIST; APPLY EXCESSIVE FORCES OR SHARP BENDS TO THE CABLE. DO NOT FORCEFULLY DEFORM WIRES.  
 (iii) CONSULT CONNECTOR MANUFACTURER'S DATASHEETS FOR DETAILED NOTES ON HANDLING INSTRUCTIONS.



HOW TO ORDER  
 CABLE 406 RF - XXX - XXX - X

"L" LENGTH IN MM  
 eg: 100MM = 100  
 (MIN. = 025, MAX. = 400)  
 STANDARD = 100, 150, 200  
 Tolerance: <50mm : ±2mm.  
 51-200mm: ±5mm.  
 201-400mm: ±7mm.

WASHER AND NUT OPTIONS:  
 BLANK = SEPARATELY PACKED (STANDARD)  
 A = ALL ASSEMBLED WITH CONNECTOR

ORIENTATION OPTIONS:  
 BLANK = DOES NOT HAVE A FIXED ORIENTATION  
 F1 = JSC CONNECTION DOWN (L=25-200MM)  
 F2 = JSC CONNECTION UP (L=25-200MM)  
 (SEE NOTES 1, 2, 3 AND DIAGRAMS FOR MORE INFORMATION)

RECOMMENDED SMA MOUNTING HOLE

REV. DATE & DRN  
 11 09/09/20 - NYW RELEASE  
 AHEAD SMA REC.

Scale: NTS	THIRD ANGLE	Unstated .X .XX .XXX ANGLES	Tolerances: N/A N/A N/A N/A	Material SEE NOTE
Drawn: NYW				
App'd: XXX	Title CABLE ASSEMBLY	NOT TO SCALE		
Date: 09 SEP. '20	Revision: 1.1	Unit: mm		



THIS DRAWING IS CONFIDENTIAL AND MUST NOT BE COPIED OR DISCLOSED WITHOUT WRITTEN CONSENT

Type: Cable 406 RF
CABLE 406 RF
Drawing Number:
Sheet 1 of 1
Drawing © E and O E