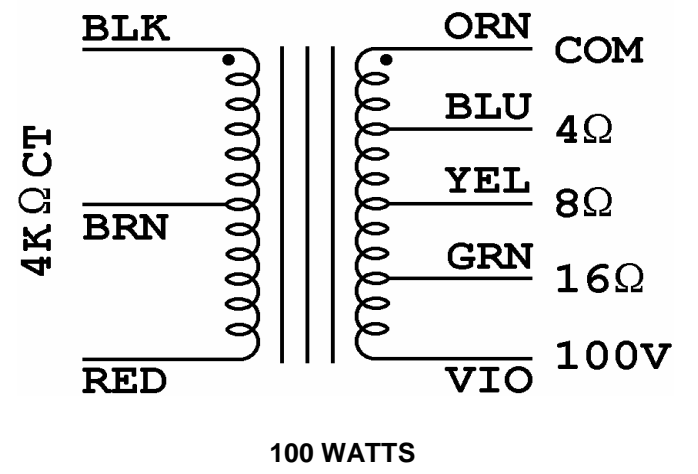
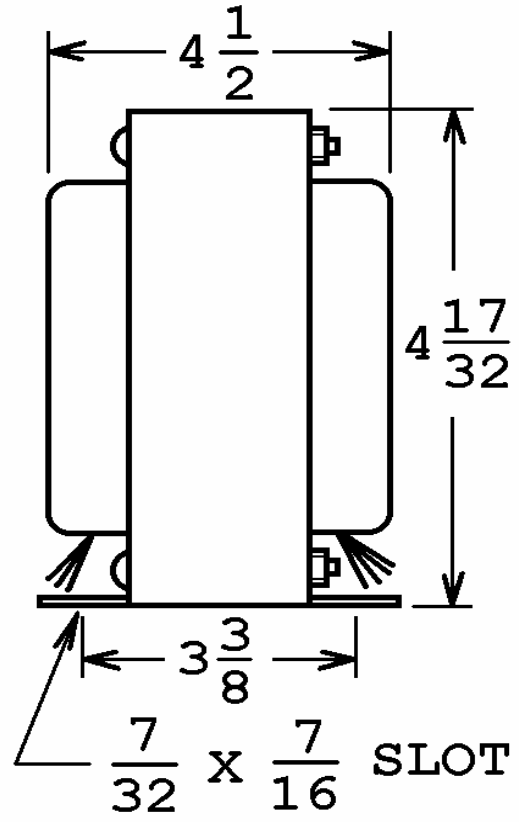
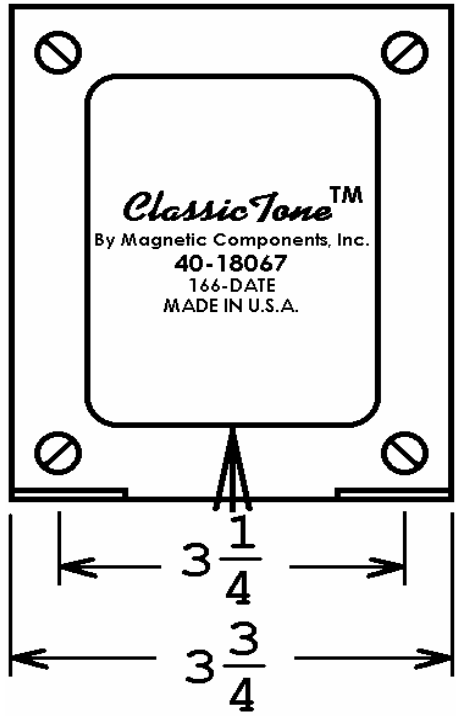


40-18067

This drawing is the property of Magnetic Components, Inc. and shall not be reproduced, in whole or in part, without the written permission of Magnetic Components, Inc.

REVISIONS			
LTR	DESCRIPTION	DATE	APPROVED



UNLESS OTHERWISE SPECIFIED ALL DIMENSIONS IN INCHES DO NOT SCALE DRAWING FRACTIONS +/- .X = +/- .XX = +/- .XXX = +/- ANGLES = +/-	SIGNATURES		DATE	MAGNETIC COMPONENTS, INC.		DIV : LOC : SCHILLER PK	
	DRAWN : <i>MJF</i>		29 MAR 11	TITLE JTM45-100 OUTPUT			
	CHECK :						
	APPR : <i>M. Sacketa</i>		29 MAR 11	CAGE 50508	SIZE A	PART No. 40-18067	REV -
			SCALE NONE	SHEET :			