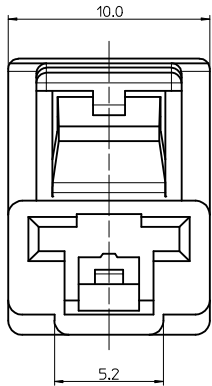
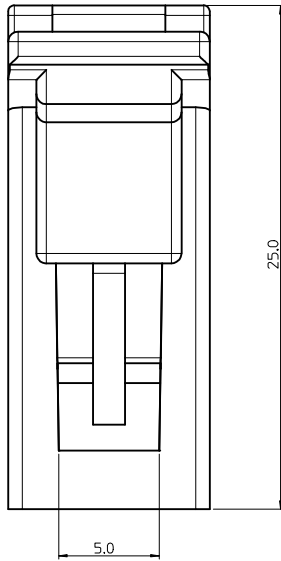


10 9 8 7 6 5 4 3 2 1

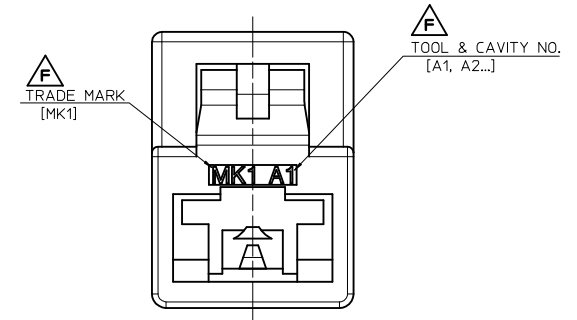
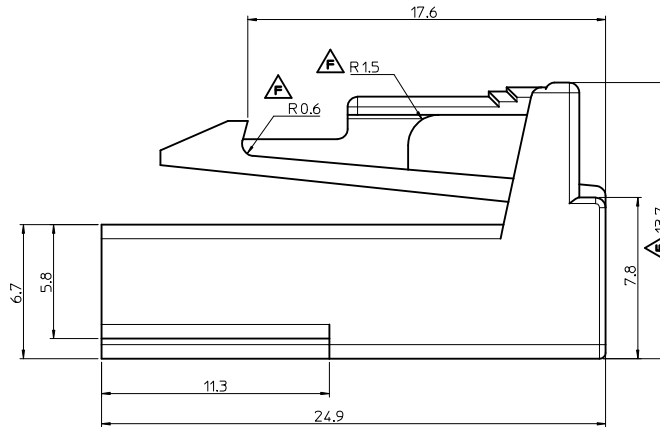
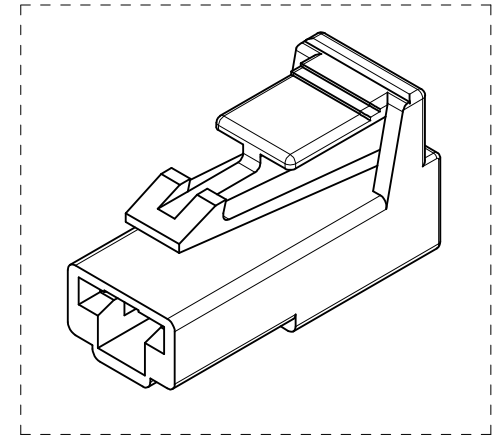


NOTES.

1. MATERIALS: SEE TABLE
2. PRODUCT SPECIFICATION: PS-35955-001
3. PACKAGING SPECIFICATION: PK-35955-001
4. MATES WITH
 - MALE HOUSING : 35955-0150, 35955-0151
5. APPLICABLE CRIMPING TERMINAL : 35725-36*0, 35725-37*0, 35725-38*0
6. MOLEX LOGO & CAVITY NUMBER SHALL BE LOCATED AS SHOWN.

<TABLE>

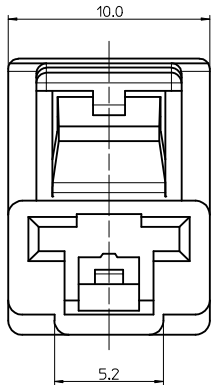
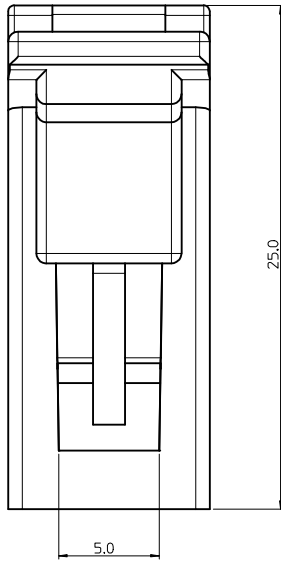
PART NO.	MATERIAL NO.	MATERIALS	COLOR
35955-0160	359550160	PC/PET, UL94V-0, 0% GLASS FILL	NATURAL
35955-0161	359550161	PC/PET, UL94V-0, 0% GLASS FILL	BLACK



REVISED EC NO: KOR2015-0001 DRWN:SKCHO 2014/07/29 CHKD:SHCHU 2014/07/29 APPR:YSKIM02 2014/09/01	DESCRIPTION REV	QUALITY SYMBOLS	GENERAL TOLERANCES (UNLESS SPECIFIED)	DIMENSION STYLE	SCALE	DESIGN UNITS	THIRD ANGLE PROJECTION	
		$\nabla=0$ $\square=0$	mm INCH 4 PLACES ± --- ± --- 3 PLACES ± --- ± --- 2 PLACES ± 0.30 ± --- 1 PLACE ± 0.30 ± --- 0 PLACE ± --- ± ---	MM ONLY	4/1	METRIC		
		ANGULAR ± 1 °	DRAFT WHERE APPLICABLE MUST REMAIN WITHIN DIMENSIONS	DRAWN BY JS.KANG CHECKED BY BK.CHOI APPROVED BY CW.LEE DATE 1999/08/16 DATE 1999/08/16 DATE 1999/08/16	TITLE	.250 WTW CONN. PLUG HOUSING -1P		
		SEE TABLE	MATERIAL NO. SIZE A3 THIS DRAWING CONTAINS INFORMATION THAT IS PROPRIETARY TO MOLEX INCORPORATED AND SHOULD NOT BE USED WITHOUT WRITTEN PERMISSION	DOCUMENT NO. SD-35955-001 SHEET NO. 1 OF 1	molex			

9 8 7 6 5 4 3 2 1

10 9 8 7 6 5 4 3 2 1

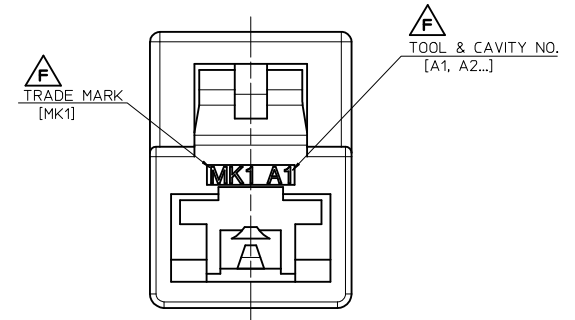
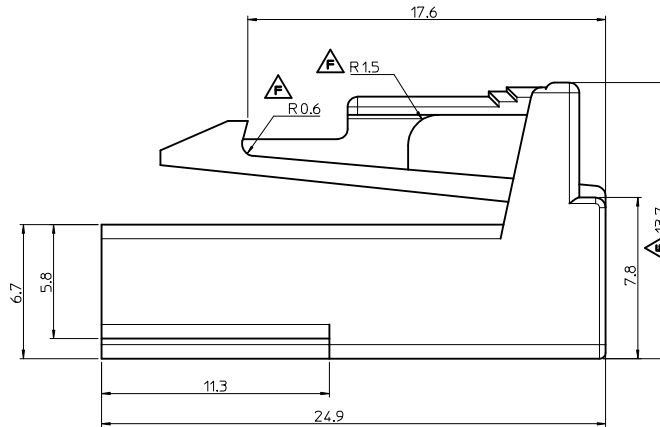
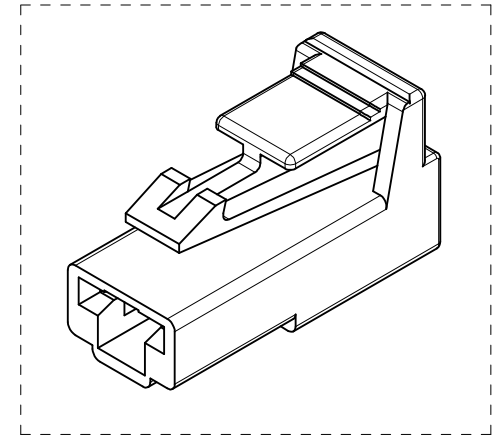


NOTES.

1. MATERIALS: SEE TABLE
2. PRODUCT SPECIFICATION: PS-35955-001
3. PACKAGING SPECIFICATION: PK-35955-001
4. MATES WITH
 - MALE HOUSING : 35955-0150, 35955-0151
5. APPLICABLE CRIMPING TERMINAL : 35725-36*0, 35725-37*0, 35725-38*0
6. MOLEX LOGO & CAVITY NUMBER SHALL BE LOCATED AS SHOWN.

<TABLE>

PART NO.	MATERIAL NO.	MATERIALS	COLOR
35955-0160	359550160	PC/PET, UL94V-0, 0% GLASS FILL	NATURAL
35955-0161	359550161	PC/PET, UL94V-0, 0% GLASS FILL	BLACK



REVISED EC NO: KOR2015-0001 DRWN:SKCHO 2014/07/29 CHKD:SHCHU 2014/07/29 APPR:YSKIM02 2014/09/01	QUALITY SYMBOLS ▽=0 ◻=0	GENERAL TOLERANCES (UNLESS SPECIFIED)		DIMENSION STYLE MM ONLY		SCALE 4/1	DESIGN UNITS METRIC	THIRD ANGLE PROJECTION		
			mm	INCH	DRAWN BY	DATE	TITLE			
		4 PLACES	± ---	± ---	JS.KANG	1999/08/16	.250 WTW CONN. PLUG HOUSING -1P			
		3 PLACES	± ---	± ---	CHECKED BY	DATE				
	2 PLACES	± 0.30	± ---	BK.CH01	1999/08/16	molex DOCUMENT NO. SD-35955-001 SHEET NO. 1 OF 1				
	1 PLACE	± 0.30	± ---	APPROVED BY	DATE					
	0 PLACE	± ---	± ---	CW.LEE	1999/08/16	THIS DRAWING CONTAINS INFORMATION THAT IS PROPRIETARY TO MOLEX INCORPORATED AND SHOULD NOT BE USED WITHOUT WRITTEN PERMISSION				
	ANGULAR ± 1 °		MATERIAL NO.		SEE TABLE					
	DRAFT WHERE APPLICABLE MUST REMAIN WITHIN DIMENSIONS		SIZE A3							

9 8 7 6 5 4 3 2 1