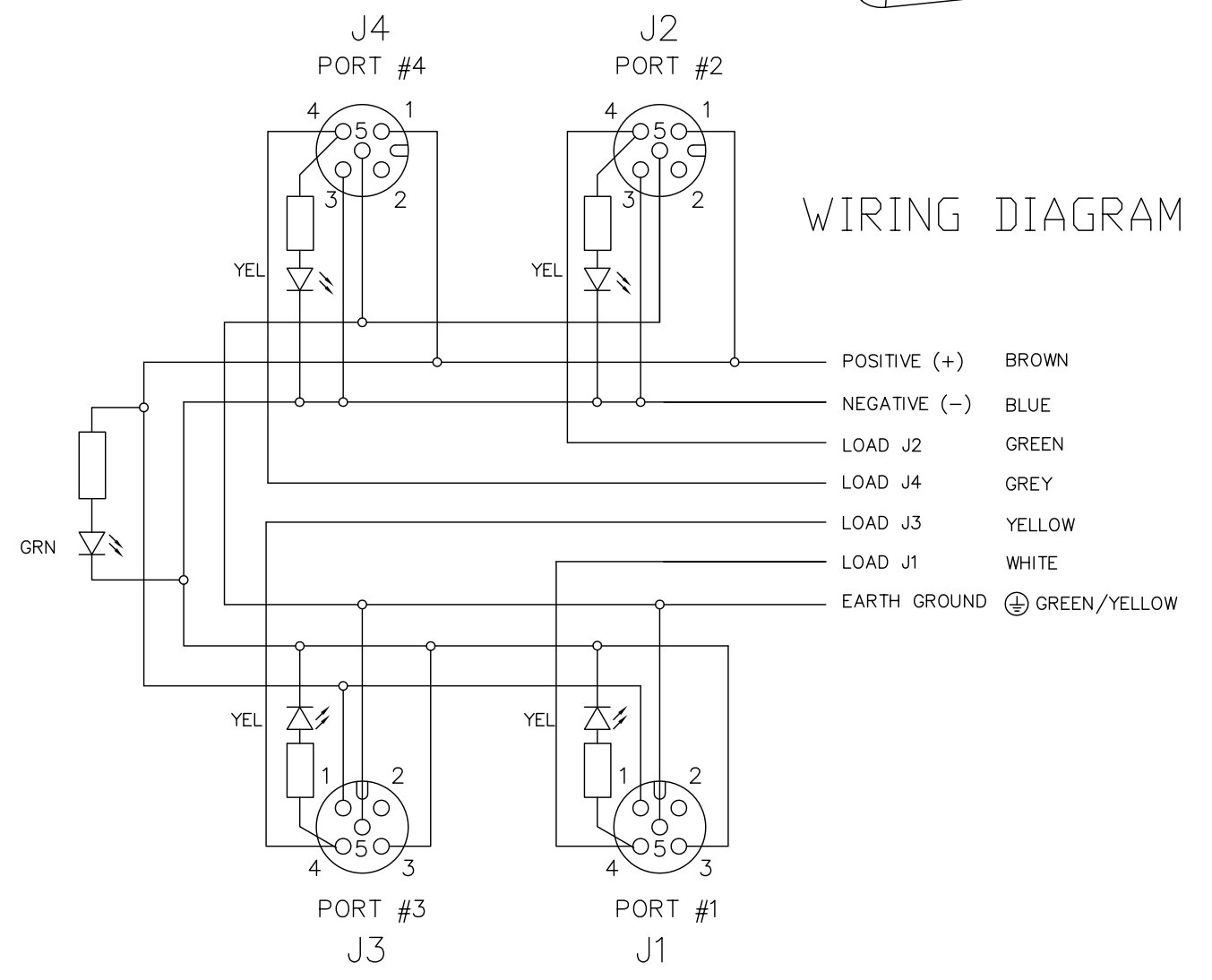
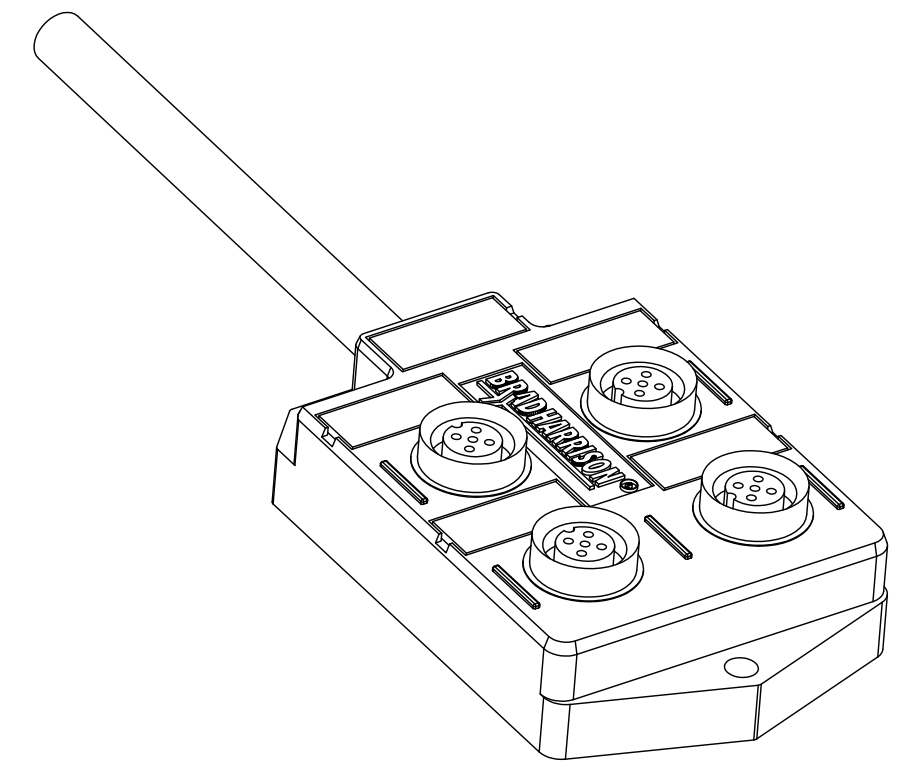
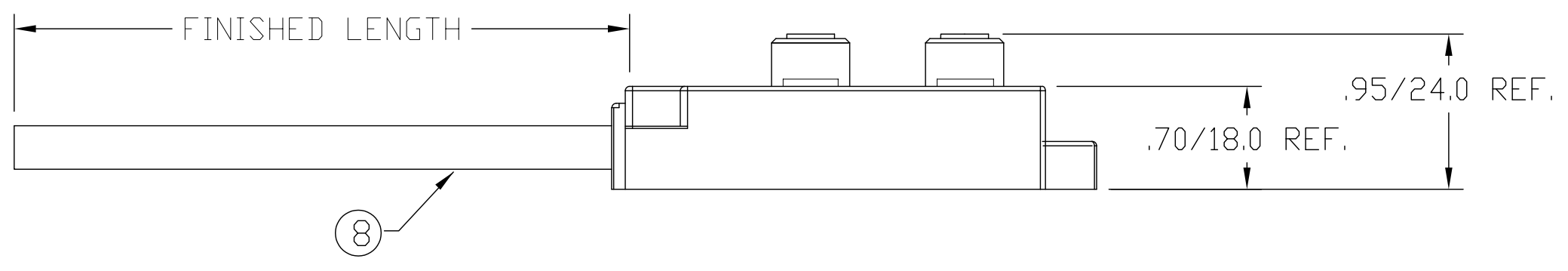
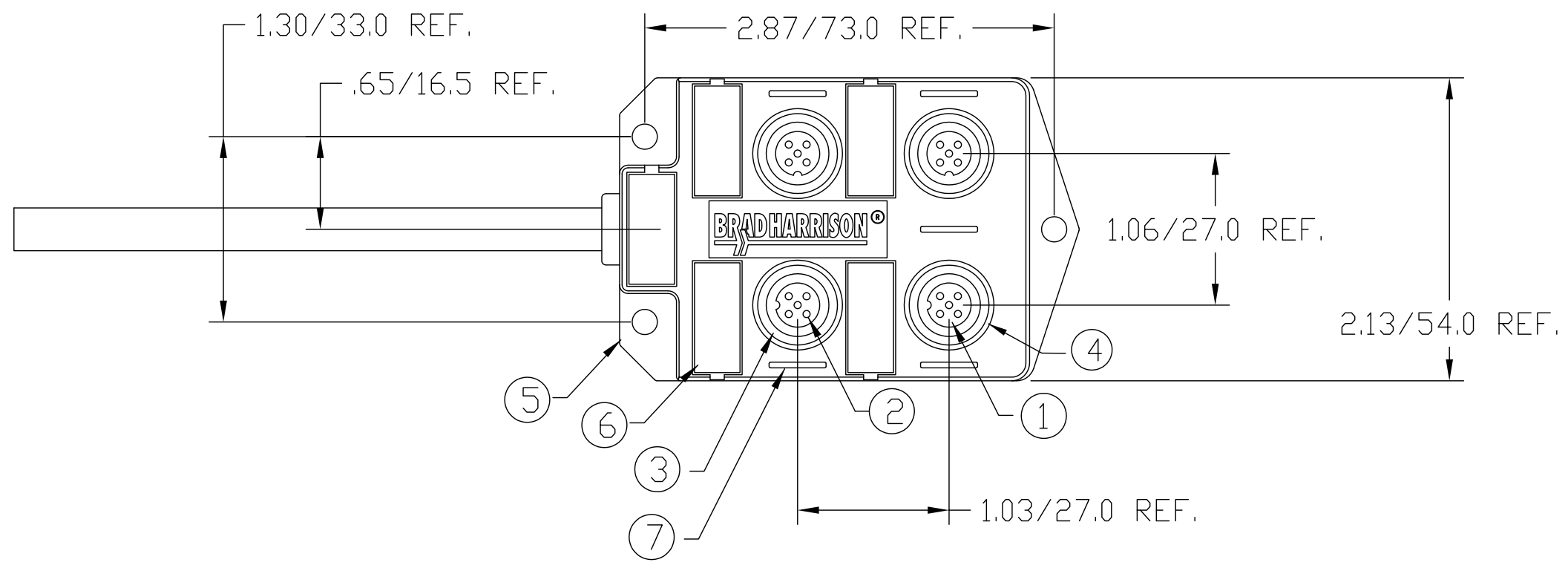


MATERIAL NUMBER	OLD PART NUMBER	FINISHED LENGTH	CABLE JACKET MATERIAL
1201140021	BTY401P-FBE-05	16.40' +6.50" -0 [5.0M +165.1 -0]	PVC
1201140022	BTY401P-FBE-10	32.81' +12.50" -0 [10.0M +317.5 -0]	PVC
1201140024	BTY401P-FBP-05	16.40' +6.50" -0 [5.0M +165.1 -0]	PUR
1201140023	BTY401P-FBE-20	65.60' +12.50" -0 [20.0M +317.5 -0]	PVC
1201140025	BTY401P-FBP-10	32.81' +12.50" -0 [10.0M +317.5 -0]	PUR
1201140026	BTY401P-FBP-20	65.60' +12.50" -0 [20.0M +317.5 -0]	PUR



VOLTAGE RATING	10-30 VDC
AMPERAGE RATING PER PORT	4 AMPS
PROTECTION	IP67
OPERATING TEMPERATURE	-20°C TO 90°C
UL CERTIFICATIONS	UL RECOGNIZED, FILE NO. E46237
CSA CERTIFICATIONS	CSA CERTIFIED, FILE NO. LR6837

ITEM	COMPONENT	MATERIAL	FINISH
1	INSERT	NYLON	BLACK
2	CONTACT SOCKET	COPPER ALLOY	GOLD OVER NICKEL
3	O-RING	NITRILE	RED
4	RECEPTACLE SHELL	BRASS	NICKEL PLATED
5	HOUSING	PBT	YELLOW
6	LABEL	ABS	WHITE
7	LENS	NYLON	CLEAR
8	CABLE, 18AWG, 3 CONDUCTOR, 22AWG, 4 CONDUCTOR, 300V	SEE P/N TABLE	YELLOW

ADD 2 PINS TO TABLE	EC NO: WEU2010-0374	QUALITY SYMBOL	GENERAL TOLERANCES (UNLESS SPECIFIED)	DIMENSION STYLE	SCALE	DESIGN UNITS	THIRD ANGLE PROJECTION
	DRWN: FPACHER 2/16/10		mm INCH	IN/MM	NTS	METRIC	
B1	CH'KD: NSTAUDIG 2009/08/27	DESCRIPTION	4 PLACES ±-	DRAWN BY	DATE	TITLE	MICRO-CHANGE MPIS 4 PORT TOP MOUNT PNP #18/3 + #22/4 CABLE
	APPR: NSTAUDIG 2010/02/18		TW	2009/04/02	SEE CHART	MOLEX INCORPORATED	
REV			1 PLACE ±0.3 ±-	APPROVED BY	DATE	DOCUMENT NO.	SHEET NO.
			ANGULAR ±°	NSTAUDIG	2010/02/18	SD-120114-002	1 OF 1
			DRAFT WHERE APPLICABLE MUST REMAIN WITHIN DIMENSIONS	SIZE	THIS DRAWING CONTAINS INFORMATION THAT IS PROPRIETARY TO MOLEX INCORPORATED AND SHOULD NOT BE USED WITHOUT WRITTEN PERMISSION		
				C			