

# Rocker Switches

## Micro Snap-In Nylon



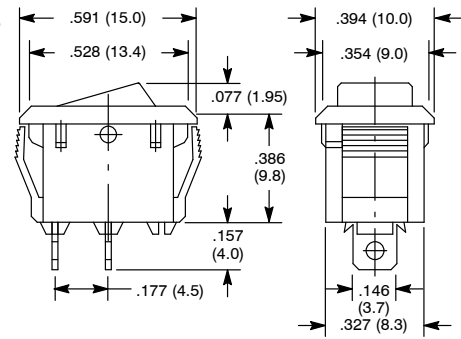
### Features

- Fits Standard Panel Cutout
- RoHS Compliant



| NTE Type No. | Circuitry | Action |      |     | Actuator    | Legend | Diag No. |
|--------------|-----------|--------|------|-----|-------------|--------|----------|
| 54-870       | SPST      | ON     | NONE | OFF | White Nylon | Yes    | S108     |
| 54-872       | SPST      | ON     | NONE | OFF | Black Nylon | Yes    | S108     |
| 54-874       | SPST      | ON     | NONE | OFF | Red Nylon   | No     | S108     |

## S108



Mounting Hole

| Panel Thickness           | Y           |
|---------------------------|-------------|
| .029 (.750) - .049 (1.25) | .535 (13.6) |
| .049 (1.25) - .079 (2.00) | .539 (13.7) |
| .079 (2.00) - .098 (2.50) | .543 (13.8) |

Mounting Hole Dimensions: .362 (9.2) diameter, Y offset.

## Specifications

**Current Rating:** 6A 125VAC, 3A 250VAC, 3A 250VAC T100/55  
**Insulation Resistance:** 100 Megohms (min.) at 500VDC  
**Dielectric Strength:** 1000V RMS (min.) for 1 minute  
**Temperature Rating:** +32° to +212°F (0° to +100°C)  
**Electrical Life:** 10,000 cycles  
**Mechanical Life:** 50,000 cycles  
**Terminal Type:** Solder Lug  
**Mounting Hole:** See Table 1.

## Miniature Snap-In Nylon



### Features

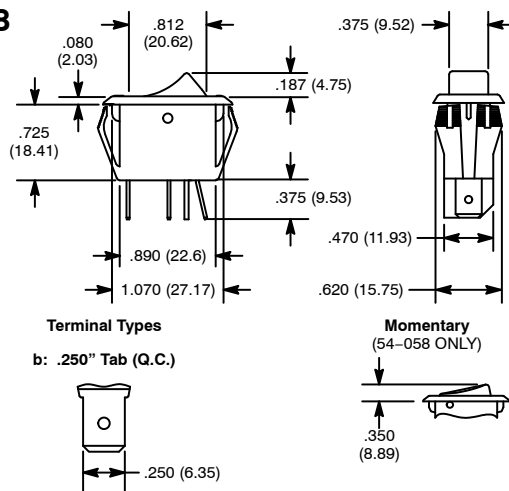
- Fits Standard Panel Cutout



| NTE Type No. | Circuitry | Action |      |      | Actuator           |       | Diag No. |
|--------------|-----------|--------|------|------|--------------------|-------|----------|
|              |           |        |      |      | Material           | Color |          |
| 54-058*      | SPST      | OFF    | NONE | (ON) | Polyester or Nylon | White | S18b     |
| 54-059**     | SPST      | OFF    | NONE | ON   |                    | Black | S18b     |
| 54-060       | SPST      | OFF    | NONE | ON   |                    | Black | S18b     |
| 54-061       | SPDT      | ON     | NONE | ON   |                    | Black | S18b     |
| 54-062**     | SPST      | OFF    | NONE | ON   |                    | Black | S18b     |
| 54-063       | SPDT      | ON     | OFF  | ON   |                    | Black | S18b     |

SPECIAL NOTE: ( ) = Momentary Function  
 \* Momentary Rocker Style White Actuator  
 \*\* Two Color Visi-Red Visi-Rocker Style Actuator

## S18



## Specifications

**Current Rating:** 16A 125VAC, 10A 250VAC, 3/4 HP 125-250VAC  
 10(4)A 250VAC $\mu$  T85  
**(54-058 Only)** 12A 125VAC, 8A 250VAC, 1/2 HP 125-250VAC  
**Insulation Resistance:** 100 Megohms (min.)  
**Dielectric Strength:** 1000V RMS (min.)  
**Temperature Rating:** +32° to +185°F (0° to +85°C)  
**Electrical Life:** 100,000 cycles  
**Mechanical Life:** 100,000 cycles  
**Terminal Type:** .250" Tab Q.C.  
**Mounting Hole:** 1.125 (28.58) x .550 (13.97)

# Rocker Switches

## Miniature Snap-In Nylon

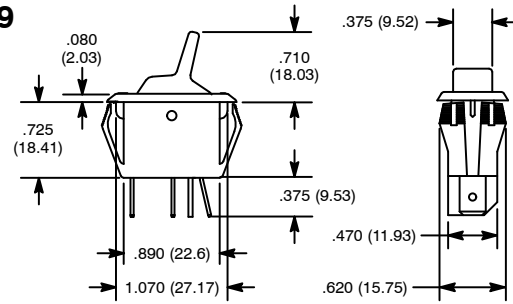
### Features

- Fits Standard Panel Cutout



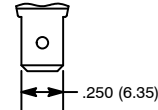
| NTE Type No. | Circuitry | Action |      |    | Actuator           |       | Diag No. |
|--------------|-----------|--------|------|----|--------------------|-------|----------|
|              |           | OFF    | NONE | ON | Material           | Color |          |
| 54-102       | SPST      | OFF    | NONE | ON | Polyester or Nylon | Black | S19b     |

S19



Terminal Types

b: .250" Tab (Q.C.)



## Specifications

**Current Rating:** 16A 125VAC, 10A 250VAC, 10(4)A 250VAC T85  
**Insulation Resistance:** 100 Megohms (min.)  
**Dielectric Strength:** 1000V RMS (min.)  
**Temperature Rating:** +32° to +185°F (0° to +85°C)  
**Electrical Life:** 100,000 cycles  
**Mechanical Life:** 100,000 cycles  
**Terminal Type:** .250" Tab Q.C.  
**Mounting Hole:** 1.125 (28.58) x .550 (13.97)

## Miniature Snap-In Nylon

### Features

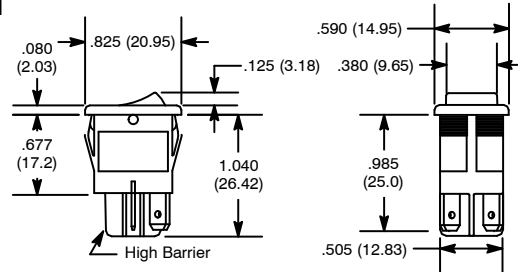
- Single & Double Pole Types
- Double Insulated
- High Barrier Type



| NTE Type No. | Circuitry | Action |      |     | Actuator |       | Diag No. |
|--------------|-----------|--------|------|-----|----------|-------|----------|
|              |           | ON     | NONE | OFF | Material | Color |          |
| 54-074       | SPDT      | ON     | NONE | ON  | Nylon    | Black | S21b     |
| 54-075       | SPST      | ON     | NONE | OFF | Nylon    | Black | S21b     |
| 54-075-L1    | SPST      | ON     | NONE | OFF | Nylon    | Black | S21b     |
| 54-076       | DPST      | ON     | NONE | OFF | Nylon    | Black | S21b     |
| 54-077       | SPDT      | ON     | NONE | ON  | Nylon    | Black | S21b     |

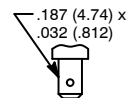
NOTE: 54-074-L1 contains ON-OFF legend

S21



Terminal Types

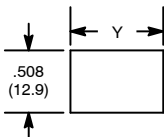
b: .187" Tab (Q.C.)



Mounting Hole

Table 1.

| Panel Thickness           | Y            |
|---------------------------|--------------|
| .030 (.762) - .060 (1.52) | .756 (19.20) |
| .060 (1.52) - .093 (2.36) | .764 (19.40) |
| .093 (2.36) - .156 (3.96) | .780 (19.81) |



## Specifications

**Current Rating:** 8A 125VAC, 4A 250VAC,  
**Current Rating:** 12A 125VAC, 6A 250VAC (54-075-L1 ONLY),  
 Inductive 6(4)A 250VAC T85\*\*  
**Insulation Resistance:** 100 Megohms (min.)  
**Dielectric Strength:** 1000V RMS (min.)  
**Temperature Rating:** +32° to +185°F (0° to +85°C)  
**Electrical Life:** 50,000 cycles  
**Mechanical Life:** 100,000 cycles  
**Terminal Type:** .187" Tab Q.C.  
**Mounting Hole:** See Table 1

\*\* 54-075, 54-076, 54-077 ONLY

# Rocker Switches

## Miniature Snap-In Nylon

### Features

- .250" Quick Connect Terminals
- Fits Standard Panel Cutout
- Withstand Peak Inrush to 100 Amps



| NTE Type No. | Circuitry | Action |      |    | Actuator |       | Diag No. |
|--------------|-----------|--------|------|----|----------|-------|----------|
|              |           |        |      |    | Material | Color |          |
| 54-081       | DPST      | OFF    | NONE | ON | Nylon    | Black | S20b     |

## Snap-In Nylon

### Features

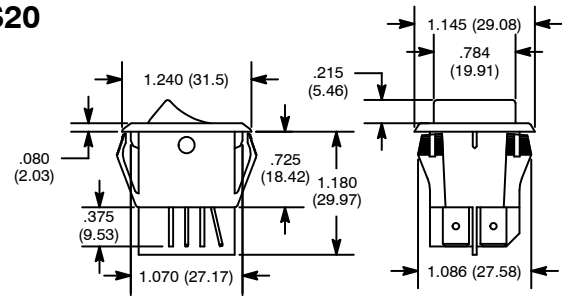
- AC Rated, Also Suitable for Low Voltage DC Applications



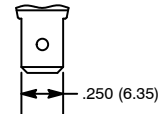
| NTE Type No. | Circuitry | Action |      |       | Actuator |       | Diag No. |
|--------------|-----------|--------|------|-------|----------|-------|----------|
|              |           |        |      |       | Material | Color |          |
| 54-047       | SPST      | ON     | NONE | OFF   | Nylon    | Black | S15b     |
| 54-048       | SPDT      | ON     | NONE | ON    | Nylon    | Black | S15b     |
| 54-049       | SPDT      | ON     | OFF  | ON    | Nylon    | Black | S15b     |
| 54-050       | DPST      | ON     | NONE | OFF   | Nylon    | Black | S15b     |
| 54-051       | DPDT      | ON     | NONE | ON    | Nylon    | Black | S15b     |
| 54-052       | DPDT      | ON     | OFF  | ON    | Nylon    | Black | S15b     |
| 54-114       | DPST      | (ON)   | NONE | OFF   | Nylon    | Black | S15b     |
| 54-115       | DPST      | ON     | NONE | (OFF) | Nylon    | Black | S15b     |
| 54-116       | DPDT      | ON     | NONE | (ON)  | Nylon    | Black | S15b     |
| 54-117       | DPDT      | ON     | OFF  | (ON)  | Nylon    | Black | S15b     |
| 54-118       | DPDT      | (ON)   | OFF  | (ON)  | Nylon    | Black | S15b     |

SPECIAL NOTE: ( ) = Momentary Function

## S20



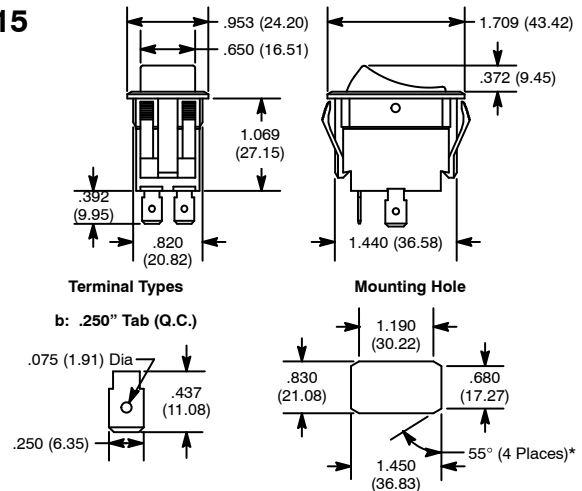
Terminal Types  
b: .250" Tab (Q.C.)



## Specifications

**Current Rating:** 20A 125VAC, 15A 250VAC, 3/4 HP 125-250VAC  
**Insulation Resistance:** 100 Megohms (min.)  
**Dielectric Strength:** 1000V RMS (min.)  
**Temperature Rating:** -40° to +185°F (-40° to +85°C)  
**Electrical Life:** 50,000 cycles  
**Mechanical Life:** 100,000 cycles  
**Terminal Type:** .250" Tab Q.C.  
**Mounting Hole:** 1.125 (28.58) x 1.000 (25.4)

## S15



Terminal Types  
b: .250" Tab (Q.C.)

Mounting Hole

\* Angled corners are suggested for optimum fit. Standard rectangular cutout is acceptable

## Specifications

**Current Rating:** 15A 125VAC, 10A 250VAC, 3/4 HP 125-250VAC  
**Insulation Resistance:** 100 Megohms (min.)  
**Dielectric Strength:** 1000V RMS (min.)  
**Temperature Rating:** +32° to +185°F (0° to +85°C)  
**Electrical Life:** 50,000 cycles  
**Mechanical Life:** 100,000 cycles (min.)  
**Terminal Type:** .250" Tab Q.C.  
**Mounting Hole:** 1.450 (36.83) x .830 (21.08)

# Rocker Switches

## Snap-In Nylon



### Features

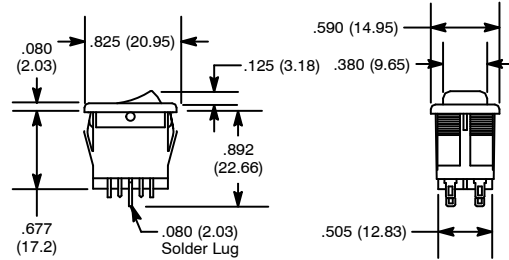
- Double Pole Types
- Double Insulated



| NTE Type No. | Circuitry | Action |      |      | Actuator |       | Diag No. |
|--------------|-----------|--------|------|------|----------|-------|----------|
|              |           |        |      |      | Material | Color |          |
| 54-073       | DPDT      | ON     | NONE | ON   | Nylon    | Black | S22a     |
| 54-078       | DPDT      | ON     | NONE | (ON) | Nylon    | Black | S22a     |
| 54-079       | DPDT      | ON     | OFF  | ON   | Nylon    | Black | S22a     |

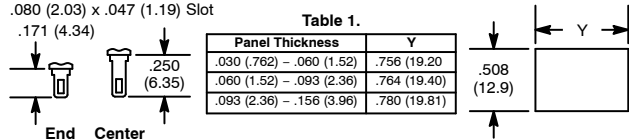
SPECIAL NOTE: ( ) = Momentary Function

## S22



Terminal Types  
a: .080" Solder Lug  
.080 (2.03) x .047 (1.19) Slot  
.171 (4.34)

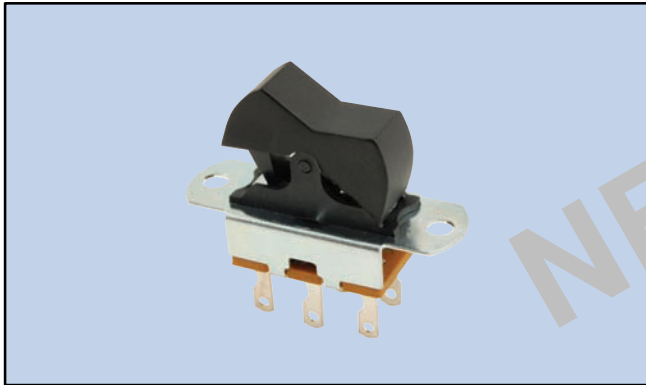
### Mounting Hole



## Specifications

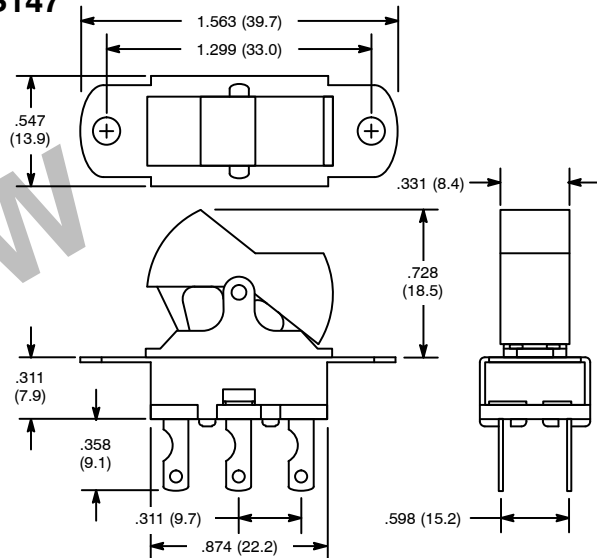
- Current Rating:** 8A 125VAC, 4A 250VAC
- Insulation Resistance:** 100 Megohms (min.)
- Dielectric Strength:** 1000V RMS (min.)
- Temperature Rating:** +32° to +185°F (0° to +85°C)
- Electrical Life:** 50,000 cycles
- Mechanical Life:** 100,000 cycles
- Terminal Type:** .080" Solder Lug
- Mounting Hole:** See Table 1

## Screw Mount



| NTE Type No. | Circuitry | Action |      |    | Actuator | Legend | Diag No. |
|--------------|-----------|--------|------|----|----------|--------|----------|
| 54-742       | DPDT      | ON     | NONE | ON | Nylon 66 | No     | S147     |

## S147



## Specifications

- Current Rating:** 4A 125VAC, 1.5A 250VAC
- Insulation Resistance:** 100 Megohms (min.) at 500VDC
- Dielectric Strength:** 1000V RMS (min.)
- Temperature Rating:** -13° to +185°F (-25° to +85°C)
- Electrical Life:** 6,000 cycles
- Mechanical Life:** 10,000 cycles
- Terminal Type:** Solder Lug
- Mounting Hole:** .965 (24.5) x .362 (9.2)