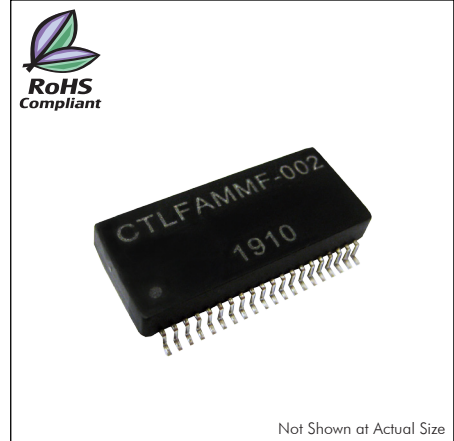


CTLFAMMF Series



CHARACTERISTICS

Description: 10/100 Base-T, For auto MDI/MDIX, 40Pin SOIC

Operating Temperature: -40°C to 85°C

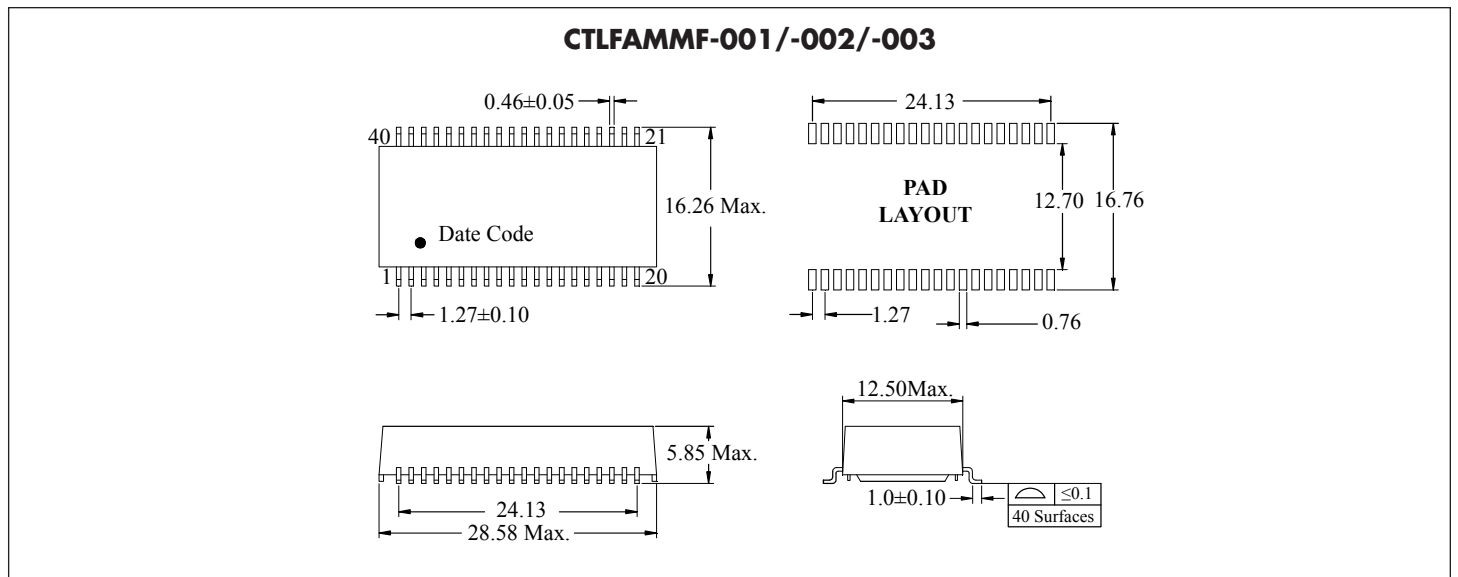
Features:

- Symmetrical TX and RX channels for auto MDI/MDIX capability
- Compliant with IEEE 802.3u and ANSI X3.263 standards including 350μH OCL with 8mA bias
- Designed for reflow soldering at temperatures up to 235°C

SPECIFICATIONS

Part Number	Insertion Loss (dB Max.)	Return Loss (dB Min.)				Crosstalk (dB Typ.)				Differential to Common Mode Rejection (dB Min.)		Hipot Vrms Min.
		.1-100 MHz	2-30 MHz	40 MHz	50 MHz	60-80 MHz	1 MHz	30 MHz	60 MHz	100 MHz	1-60 MHz	
CTLFAMMF-001	-0.5	-18	-14.4	-13.1	-12	-	-	-	-	-	-	1500
CTLFAMMF-002	-1.4	-18	-14.4	-13.1	-12	-55	-45	-40	-33	-37	-25	1500
CTLFAMMF-003	-1.4	-16	-10	-10	-10	-35	-35	-30	-25	-	-	1500

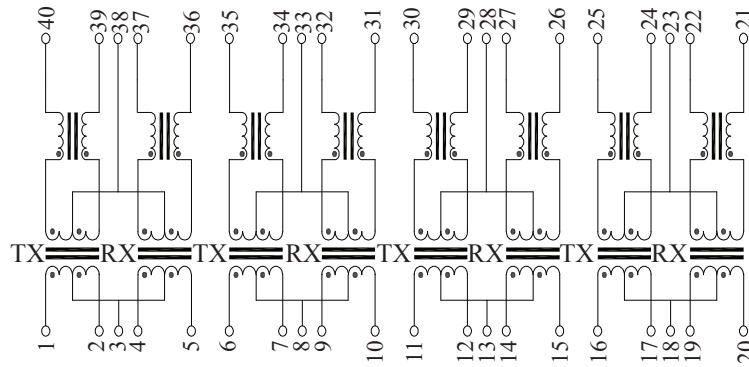
PHYSICAL DIMENSIONS & PAD LAYOUT



Unit: mm Unless otherwise specified, all tolerances are ±0.25

SCHEMATICS

CTLFAMMF-001/-002



CTLFAMMF-003

