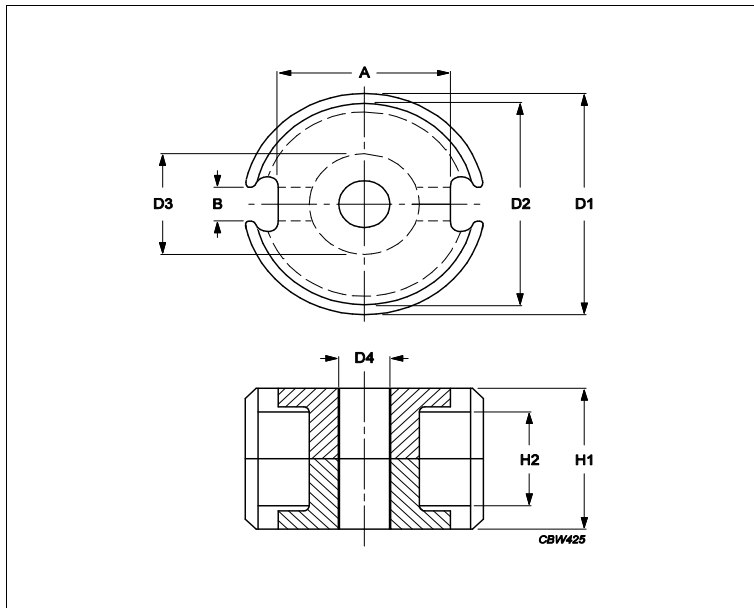


## Core **P9/5**



Effective parameters			
	Parameter	Value	Unit
$\Sigma(I/A)$	core factor (C1)	1.24	mm <sup>-1</sup>
<b>Ve</b>	effective volume	126	mm <sup>3</sup>
<b>Le</b>	effective length	12.5	mm
<b>Ae</b>	effective area	10.1	mm <sup>2</sup>
<b>Amin</b>	minimum area	7.9	mm <sup>2</sup>
<b>m</b>	P9/5	≈ 0.8	g/set

Dimensions for product: P9/5						
	Nom	Tol +	Tol -	Max	Min	Unit
<b>A</b>	6.50	0.25	0.25	6.75	6.25	mm
<b>B</b>	2.00	0.20	0.20	2.20	1.80	mm
<b>D1</b>	9.30	0.00	0.30	9.30	9.00	mm
<b>D2</b>	7.50	0.25	0.00	7.75	7.50	mm
<b>D3</b>	3.90	0.00	0.20	3.90	3.70	mm
<b>D4</b>	2.10	0.10	0.10	2.20	2.00	mm
<b>H1</b>	5.40	0.00	0.30	5.40	5.10	mm
<b>H2</b>	3.60	0.30	0.00	3.90	3.60	mm

Inductance factor					
Material	Value	Tol +	Tol -	Unit	
3C91	1350	25%	25%	nH/turns <sup>2</sup>	
3D3	630	25%	25%	nH/turns <sup>2</sup>	
3F36	870	25%	25%	nH/turns <sup>2</sup>	
3H3	1100	25%	25%	nH/turns <sup>2</sup>	

Power loss: 3C91					
Measuring conditions			Max	Unit	
100 kHz	200 mT	60 °C	0.063	W/set	
Power loss: 3F36					
Measuring conditions			Max	Unit	
500 kHz	50 mT	100 °C	0.019	W/set	
500 kHz	100 mT	100 °C	0.140	W/set	

Core **P9/5**

<b>Bsat</b>					
<b>Measuring conditions</b>			<b>Material</b>	<b>Min</b>	<b>Unit</b>
25 kHz	250 A/m	100 °C	3C91	320	mT
25 kHz	250 A/m	100 °C	3F36	340	mT

<b>Accessories</b>		
<b>Ordering name</b>	<b>Description</b>	<b>Ordering code</b>
CP-P9/5-1S	Coil former, termoplastic	432202102341
CP-P9/5-1S-A	Coil former, termoplastic	433500026001
CP-P9/5-1S-NC	Coil former, termoplastic	432202107051
CP-P9/5-2S-C	Coil former, termoplastic	432202106731