

# Heavy Duty Universal Voltage Power Packs

Power Packs and Relays

TITLE  
24  
COMPLIANCE



ASHRAE  
90.1  
COMPLIANT

## PROJECT INFORMATION

Project Name \_\_\_\_\_

Catalog No. \_\_\_\_\_

Date \_\_\_\_\_



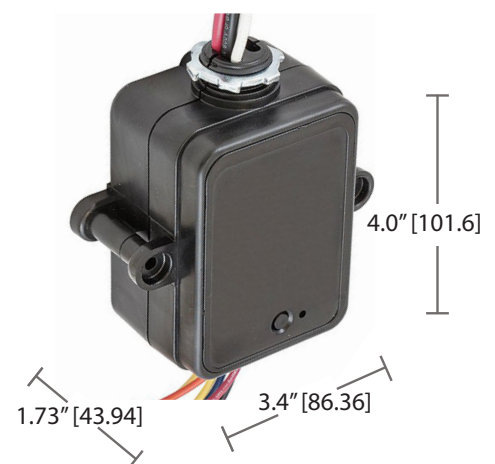
UVPPHD

The Universal Voltage Power Pack (UVPPHD) is a self-contained transformer and mechanical latching relay designed for low-voltage 24VDC occupancy sensors. The power pack supports and automatically detects the line-voltage input within the 100–277VAC range. This eliminates the need for voltage-specific power packs. The Universal Voltage Power Pack with optional Manual ON/OFF control provides a unique solution for lighting applications where users require both manual ON/OFF control as well as automatic OFF control.

Power packs are capable of switching 20A loads and feature Zero Arc Point Switching, minimizing relay-contact wear from high inrush loads. A single power pack can power either 6 sensors. The power packs are plenum rated and easily mount inside or outside of a junction box or inside a fixture.

## PRODUCT FEATURES

- Robust latching relay provides unsurpassed and unrestricted performance
- Universal voltage: 100–277VAC; 50/60Hz
- Automatic voltage detection
- Electrical load switching capability: maximum of 20 Amps
- Regulated 24VDC current; 250mA output
- Zero Arc Point Switching
- Plenum rated
- Mounts: inside or outside a junction box; inside a fixture
- UL and cUL listed
- Five-year limited warranty
- Low voltage device: 24 VDC
- Auto or Manual "ON" operation
- Powers up to six low voltage sensors



UVPPHD

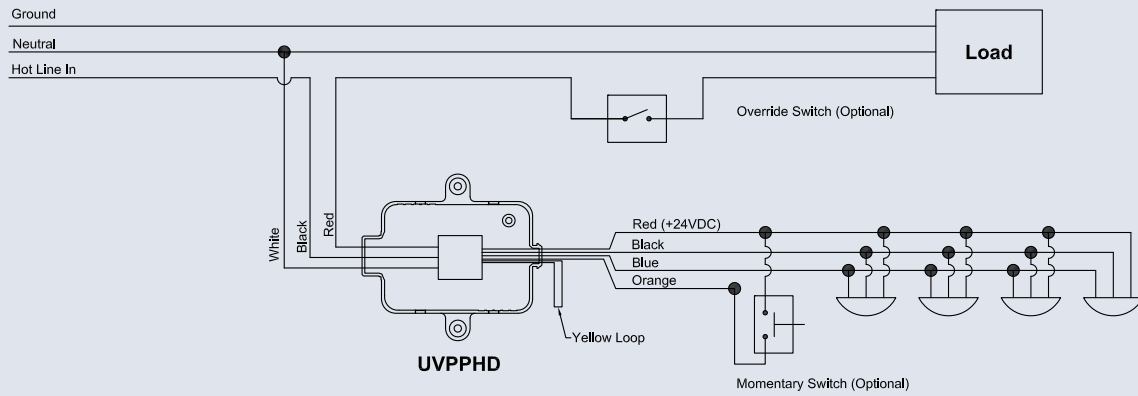
**HUBBELL**  
Control Solutions

701 Millennium Blvd. | Greenville, SC 29607 | 864-678-1000 | 866-898-0131 fax | www.hubbellcontrolsolutions.com



1602A 3.30.17

Copyright © 2017 Hubbell Control Solutions, a division of Hubbell Lighting, Inc. Subject to change without notice. Trademarks are property of their respective owners.



## General Specification

Power requirements	100–277VAC; 50/60Hz
Output	24VDC; 250mA nominal, isolated, and regulated
Relay contact rating	Load Capacity: 20A, 100-277VAC; 1HP @ 120VAC; 2HP @240/277V Motor Loads: 1 HP @ 120V, 2HP @ 240/277V
Plenum rated	Complies with requirements for use in a plenum area Plenum rated for external junction box mounting
Operating environment	Operating temperature: -40°F (-40°C) to 149°F (65°C). Below 32°F (0°C) must use suitable rated non-metallic enclosure Relative humidity (non-condensing): 0% to 90%
Dimensions	4.0" L x 3.4" W x 1.73" H (101.6mm L x 86.36mm W x 43.94mm H)
Weight	15 oz. (425.24 g)
Color	Black
Certifications	UL/cUL 916 Listed for Energy Management CEC Title 24 Compliant ASHRAE 90.1 Compliant UL2043 plenum rated NEC 2014 300.22(C)(3)
Housing	Flame retardant UL 94-5VA thermoplastic
Warranty	Five-year limited

## Ordering Information

### MODEL

**UVPPHD** Universal Voltage Power Pack with Optional Automatic or Manual ON/OFF Control