

## Data sheet

### Modul surface mount housing 2 port pure white, unequipped

Page 1/6

P/N

130861-0202-E

EAN 4251394637617

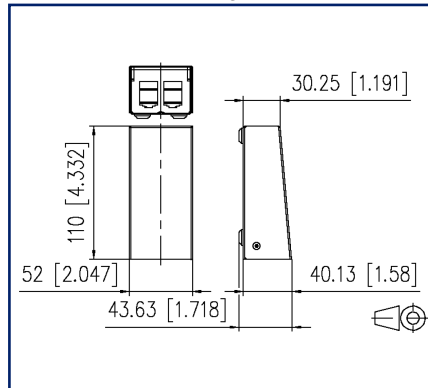
2022/07/13

Version: B

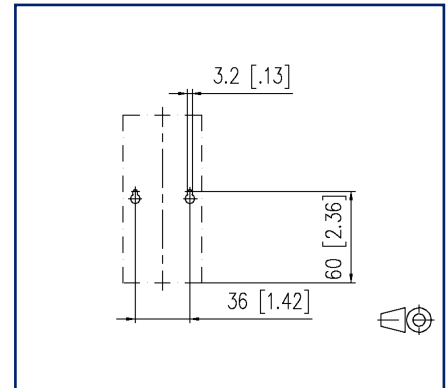
## Illustrations



Dimensional drawing



Drill pattern



See enlarged drawings at the end of document

## Product specification

- surface-mounted, unequipped module housing for individual modules in modul design
- solid steel sheet housing
- upper part of the housing powder-coated in RAL 9010
- upper part of the housing can be put on and removed easily because no screws are used for fastening
- equipotential bonding possible by means of contact pin
- additional strain relief on lower part of housing using cable ties
- suitable for direct wall mounting, as desktop device and for DIN-rail mounting using the DIN rail adapter mini FS
- bottom of the 3 port and 4 port housing can be removed. Additional fastening by means of 60 mm fastening clearance.
- optionally available and usable in all housings except 2 port: FO extension set for module and keystone surface mount housing: 130861-MSK-E
- optionally available 2x12 housing: Strain relief for patch cords 130861-24ZE-E
- variants: 2, 3, 4, 6, 8, 12, 16 and 2x12 ports



## Modul surface mount housing 2 port pure white, unequipped

P/N

130861-0202-E

EAN 4251394637617

2022/07/13

Version: B

### Technical Data

#### General Data

Fields of application	office areas
Mechanical measurement according to MICE	M1
Ingress measurement according to MICE	I1
Climatic measurement according to MICE	C1
Electromagnetic measurement according to MICE	E3
Design	patch panel
Color	Pure white RAL 9010
Dimensions	
Dimension (L x W x H)	110 mm x 52 mm x 43.63 mm
Dimension (L x W x H)	4.331 in. x 2.047 in. x 1.718 in.
Modularity	yes

#### Connections/interfaces

Number of ports interface 1	2
Number of equipped ports interface 1	0
Number of ports interface 2	2
Number of ports interface 2 equipped	0

#### Mechanical data

Cut-out	module
strain relief	cable tie

#### Materials and material properties

Material - Housing	aluminium-zinc sheet
Material - Front cover	aluminium-zinc sheet
Material - Cover	steel
Halogen free	yes
Silicone free	no paint wetting interfering substances (LaBS) in the process chain
LaBS Note	subsequent contamination possible due to handling and possible storage in your company
RoHS	compliant
REACH	compliant



# P | Cabling

Data sheet

Page 3/6

## Modul surface mount housing 2 port pure white, unequipped

P/N

130861-0202-E

EAN 4251394637617

2022/07/13

Version: B

### Technical Data

#### Environmental conditions

Temperature (min. - max.)

Temperature - Storage °C -40 °C - 70 °C

Temperature - Storage °F -40 °F - 158 °F

Temperature - Operating °C -40 °C - 70 °C

Temperature - Operating °F -40 °F - 158 °F

#### Classifications

ETIM 5.0 EC001128

ETIM 6.0 EC001128

ETIM 7.0 EC002006

ETIM 8.0 EC002006

#### Packing details

Type of packaging 1 pc(s) / box

Packaging unit - Weight (gram) 253 g

Packaging unit - Weight (pound) 0.56 lb

Packaging dimension 230 mm x 60 mm x 45 mm

Packaging dimension 9.055 in. x 2.362 in. x 1.772 in.

## Modul surface mount housing 2 port pure white, unequipped

P/N

130861-0202-E

EAN 4251394637617

2022/07/13

Version: B

### Accessories

P/N	Designation
130898-00-I	BLIND module light gray
130898-00-RW-I	BLIND module pure white
130898-01-I	COAX modul F jack / F jack
130898-02-I	COAX modul IEC jack / F jack
130898-03-I	COAX modul IEC plug / F jack
1308990111-I	DIN rail adapter mini
130908-I-B1	UAE modul Cat.5e white
130909-I	UAE modul Cat.6 jack T568A white
130910-I	E-DAT modul Cat.6 <sub>A</sub> 8(8) jack, T568A
130910-I-B1	E-DAT modul Cat.6 <sub>A</sub> 8(8) jack, T568B
130910-Z	E-DAT modul Cat.6 <sub>A</sub> 8(8) jack, T568A (12 pcs)
1309A0-I	E-DAT modul coupler 8(8) 180° class E <sub>A</sub>
130A11-29-I	UAE modul 8(8) Cat.6 <sub>A</sub> black
130A11-I	UAE modul 8(8) Cat.6 <sub>A</sub> white
130B11-25-E	25Gmodul
130B11-25-Z	25Gmodul (12 pcs)
130B11-E	C6 <sub>A</sub> modul 180° jack
130B11-Z	C6 <sub>A</sub> modul 180° jack (12 pcs)
15091001-I	OpDAT modul ST (ceramic, light gray) SM
15091071-I	OpDAT modul LC-D (ceramic, blue) SM
15091072-I	OpDAT modul LC-D (ceramic, aqua) MM
15091075-I	OpDAT modul LC-D (ceramic, violet) MM
15091076-I	OpDAT modul LC-D APC (ceramic, green) SM
1509107B-I	OpDAT modul LC-D (ceramic, beige) MM

# P | Cabling

Data sheet

Page 5/6

## Modul surface mount housing 2 port pure white, unequipped

P/N

130861-0202-E

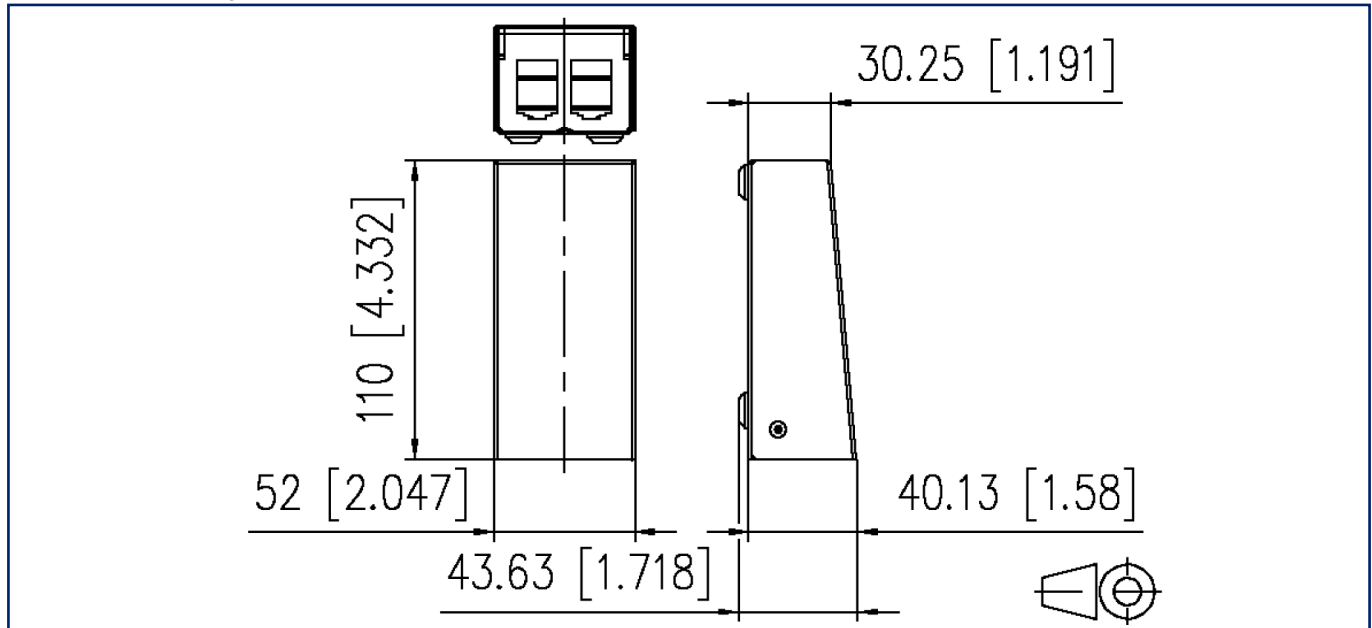
EAN 4251394637617

2022/07/13

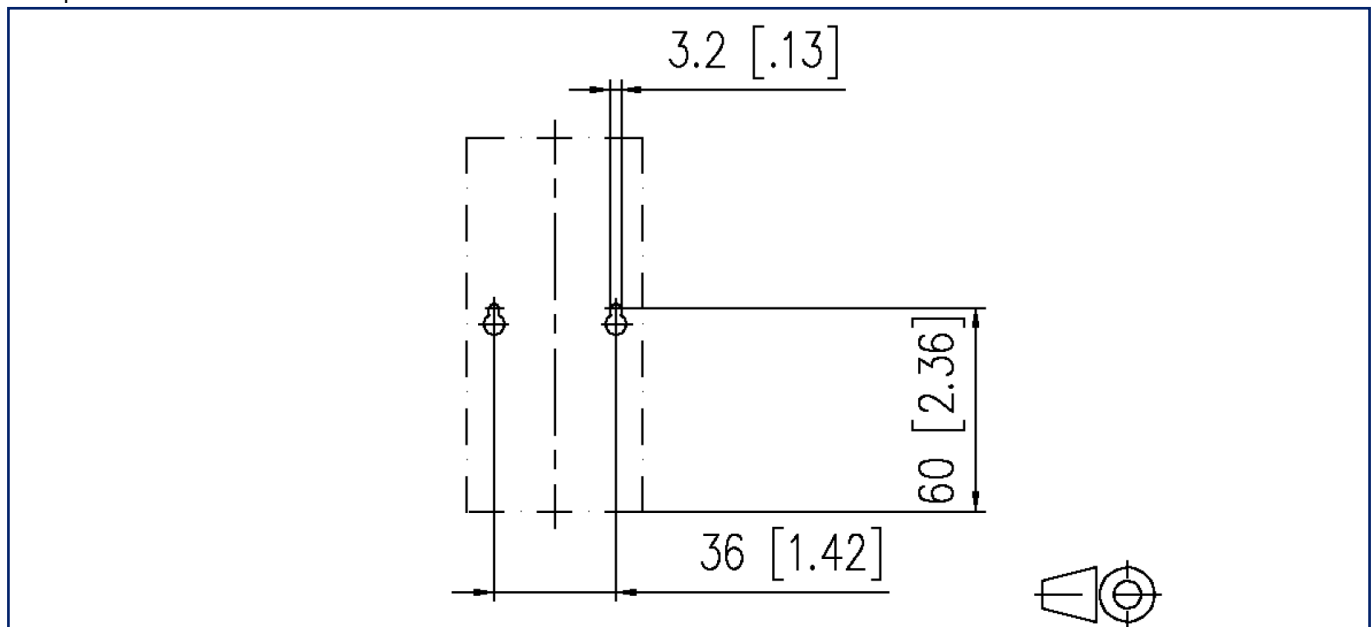
Version: B

### Illustrations

Dimensional drawing



Drill pattern



# P | Cabling

Data sheet

Page 6/6

## Modul surface mount housing 2 port pure white, unequipped

P/N

130861-0202-E

EAN 4251394637617

2022/07/13

Version: B

### Illustrations

Cut-out

