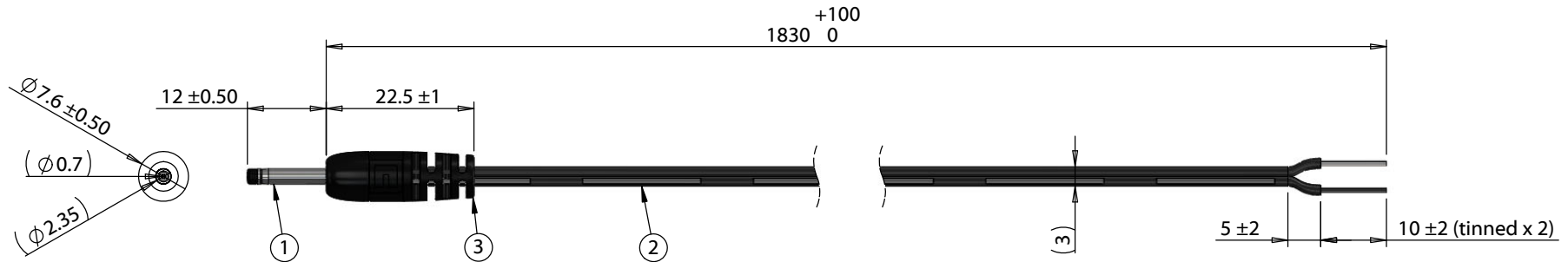



ITEM NO.	PART NUMBER	DESCRIPTION	QTY.	COMPONENT NOTES
1	50-00030	Connector, dc plug, 2.35x0.7xL20.8 mm, EIAJ-1, molding style, spring contacts	1	
2	30-00404	Wire, 2C TS, 24 AWG, UL2468, 300V, 80C, 3.0 mm, VW-1, PVC	1	
3	24-00002	Overmold, PVC	1	black



**Notes:**  
Cable rated for 48 V, 4.0 A

Functionally equivalent components may be substituted

Wiring Diagram	
50-00030	wire color
center	black with stripe
sleeve	black

Revision:	Date:	Description:	Prepared:	Notes: RoHS compliant Function test: no open, no short circuit, no intermittent	<h1>TENSILITY</h1> <p>tel 1.541.323.3228 800 877.670.7118 fax 1.541.323.4202 web tensility.com</p>
A	01/31/2018	Initial release	Verified:		
			Dimensions are in millimeters. Tolerances: X: ± 0.5 mm X.X: ± 0.3 mm X.XX: ± 0.05 mm	Description: Cable, 1830 mm, 2.35x0.7x12 mm 50-00030 dc plug to 10 mm tinned, 24 AWG, UL2468, 30-00404 wire	Size: A Part number: 10-02486
					Scale: 1:1  Sheet 1 of 1

5

4

3

2

1