

3.0 x 3.0 x 10.0 (mm), 2.4 GHz, Vertical Polarization Pillar Antenna (CW10D7) Engineering Specification

1. Product Number

H 2 U 3 6 D 2 K 1 B 0 1 0 0



2. Features

- *Stable and reliable in performance.
- *RoHS 2.0 compliance
- *SMT processes compatible

3. Applications

- *ISM 2.4 GHz applications
- *Wi-Fi router (IEEE802.11 b/g/n)
- *Hand-held devices when WiFi / Bluetooth functions are needed, e.g. Tracker 、IoT Devices, etc.

4. Description

Unictron's CW10D7 chip antenna is designed for ISM 2.4GHz applications, covering frequencies 2400~2500MHz. Fabricated with proprietary design and processes, CW10D7 shows excellent performance and is fully compatible with SMT processes which can decrease the assembly cost and improve device's quality and consistency.



詠業科技股份有限公司
Unictron Technologies Corporation
Website: www.unictron.com

THIS DRAWINGS AND SPECIFICATIONS ARE THE PROPERTY OF UNICTRON TECHNOLOGIES CORPORATION AND SHALL NOT BE REPRODUCED OR USED AS THE BASIS FOR THE MANUFACTURE OR SALE OF APPARATUS OR DEVICES WITHOUT PERMISSION

Prepared by : **Betty**

Designed by : **Alex**

Checked by : **Mike**

Approved by : **Herbert**

**TITLE : 3.0 x 3.0 x 10.0 (mm), 2.4 GHz, Vertical Polarization
Pillar Antenna (CW10D7) Engineering Specification**

**DOCUMENT
NO.**

H2U36D2K1B0100

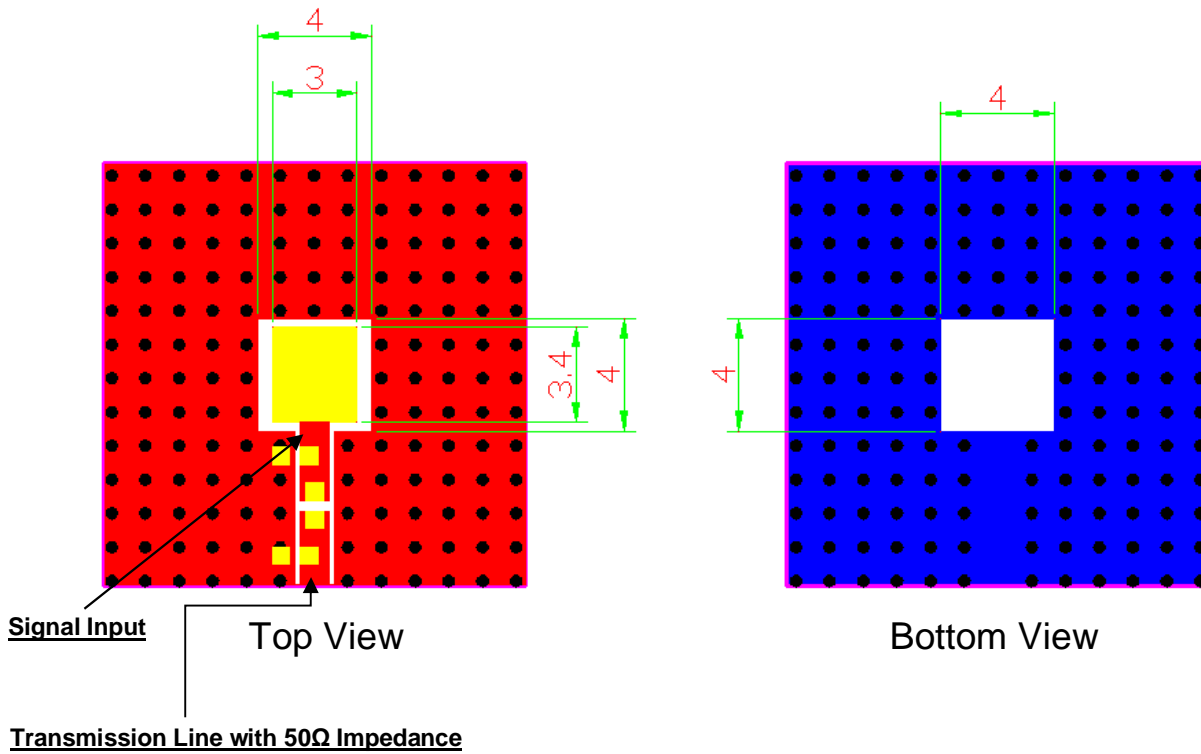
**REV.
C**

5. Layout Guide & Electrical Specifications

5-1. Layout Guide (Unit : mm)

Solder Land Pattern:

The solder land pattern (gold marking areas) is shown below. Recommendation on matching circuit will be provided according to customer's installation conditions.



詠業科技股份有限公司
Unictron Technologies Corporation
Website: www.unictron.com

THIS DRAWINGS AND SPECIFICATIONS ARE THE PROPERTY OF UNICTRON TECHNOLOGIES CORPORATION AND SHALL NOT BE REPRODUCED OR USED AS THE BASIS FOR THE MANUFACTURE OR SALE OF APPARATUS OR DEVICES WITHOUT PERMISSION

Prepared by : **Betty**

Designed by : **Alex**

Checked by : **Mike**

Approved by : **Herbert**

**TITLE : 3.0 x 3.0 x 10.0 (mm), 2.4 GHz, Vertical Polarization
Pillar Antenna (CW10D7) Engineering Specification**

**DOCUMENT
NO.**

H2U36D2K1B0100

**REV.
C**

5-2. Electrical Specifications

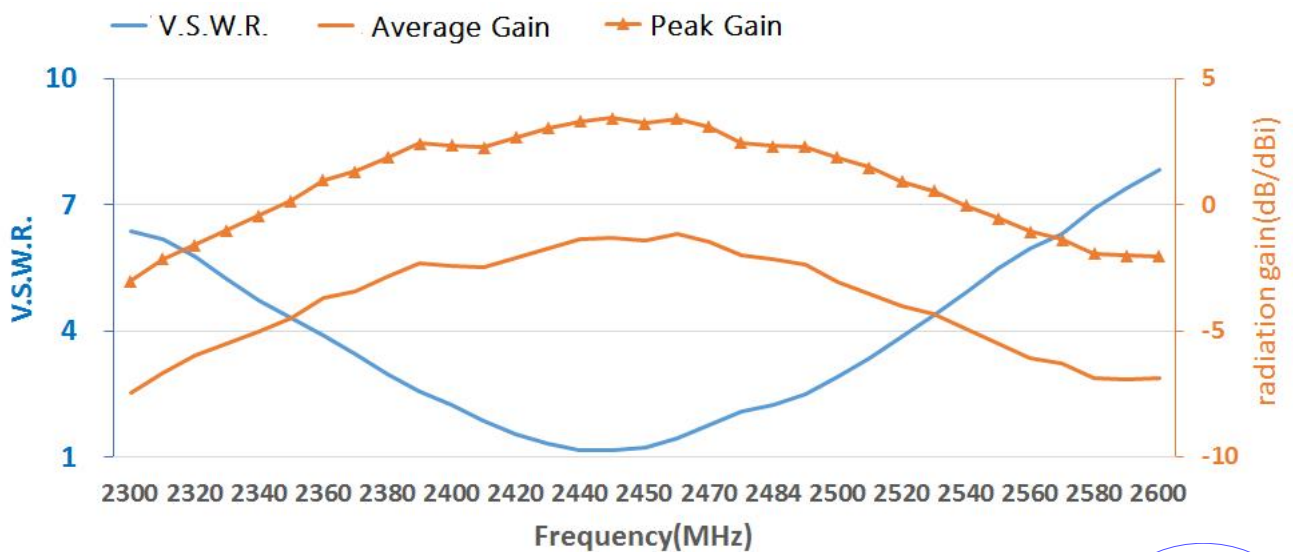
5-2-1. Electrical Table

Characteristics		Specifications	Unit
Outline Dimensions		3.0 x 3.0 x 10.0	mm
Ground Plane Dimensions		80 x 80	mm
Working Frequency		2400~ 2500	MHz
VSWR (@ center frequency)*		2 Max.	
Characteristic Impedance		50	Ω
Polarization		Vertical Polarization	
Peak Gain	(@2442 MHz)	3.4(Typical**)	dBi
Efficiency		61.5(Typical**)	%

* Center frequency is the frequency with the lowest value of return loss.

** Typical value is for reference only. The actual efficiency will depend on the circuit board used

5-2-2. Frequency vs. V.S.W.R. and Radiation Gain



Unictron
Technologies Corp.
2021-12-10
Document Control Centre



詠業科技股份有限公司
Unictron Technologies Corporation
Website: www.unictron.com

THIS DRAWINGS AND SPECIFICATIONS ARE THE PROPERTY OF UNICTRON TECHNOLOGIES CORPORATION AND SHALL NOT BE REPRODUCED OR USED AS THE BASIS FOR THE MANUFACTURE OR SALE OF APPARATUS OR DEVICES WITHOUT PERMISSION

Prepared by : Betty

Designed by : Alex

Checked by : Mike

Approved by : Herbert

TITLE : 3.0 x 3.0 x 10.0 (mm), 2.4 GHz, Vertical Polarization
Pillar Antenna (CW10D7) Engineering Specification

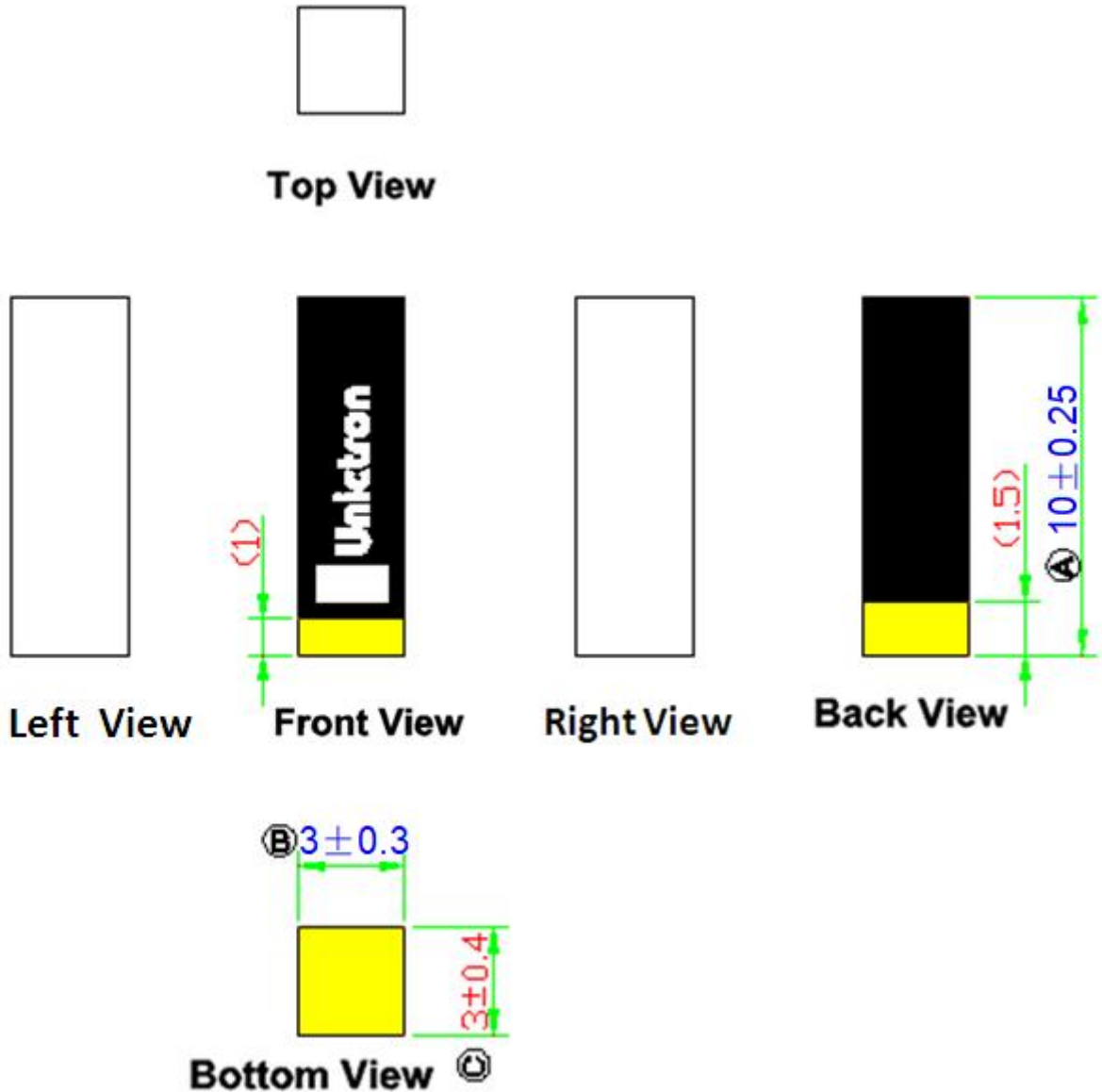
DOCUMENT
NO.

H2U36D2K1B0100

REV.
C

6. Outline Dimensions of Antenna (unit: mm)

6-1. Antenna Dimensions



NOTE:

1. All materials are RoHS 2.0 compliant.
2. "A~C" Critical Dimensions.
3. "()" Reference Dimensions.



詠業科技股份有限公司
Unictron Technologies Corporation
Website: www.unictron.com

THIS DRAWINGS AND SPECIFICATIONS ARE THE PROPERTY OF UNICTRON TECHNOLOGIES CORPORATION AND SHALL NOT BE REPRODUCED OR USED AS THE BASIS FOR THE MANUFACTURE OR SALE OF APPARATUS OR DEVICES WITHOUT PERMISSION

Prepared by : Betty

Designed by : Alex

Checked by : Mike

Approved by : Herbert

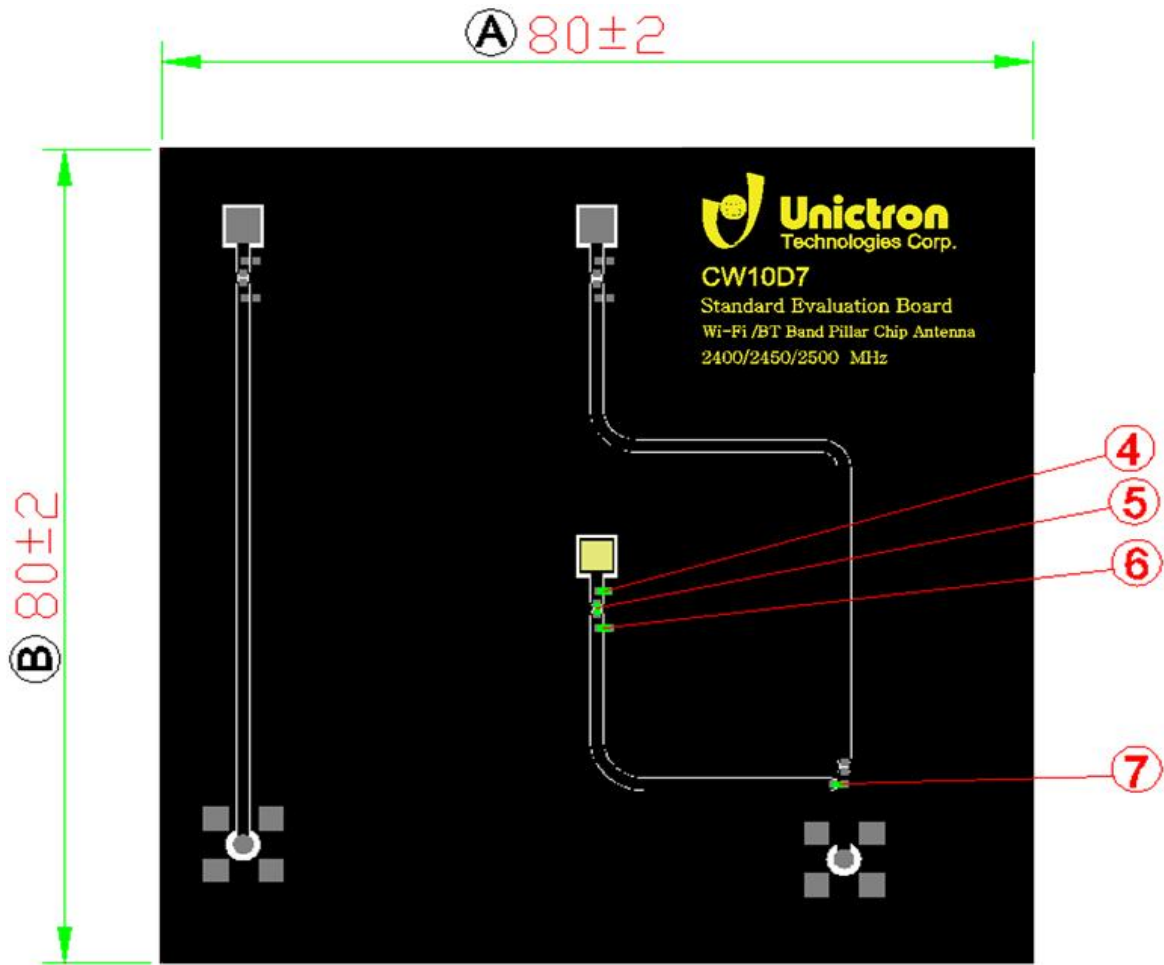
TITLE : 3.0 x 3.0 x 10.0 (mm), 2.4 GHz, Vertical Polarization
Pillar Antenna (CW10D7) Engineering Specification

DOCUMENT NO.
H2U36D2K1B0100

REV. C

REV. C

6-2. Evaluation Board with Antenna



Unictron
Technologies Corp.
2021-12-10
Document
Control Centre



詠業科技股份有限公司
Unictron Technologies Corporation
Website: www.unictron.com

THIS DRAWINGS AND SPECIFICATIONS ARE THE PROPERTY OF UNICTRON TECHNOLOGIES CORPORATION AND SHALL NOT BE REPRODUCED OR USED AS THE BASIS FOR THE MANUFACTURE OR SALE OF APPARATUS OR DEVICES WITHOUT PERMISSION

Prepared by : Betty

Designed by : Alex

Checked by : Mike

Approved by : Herbert

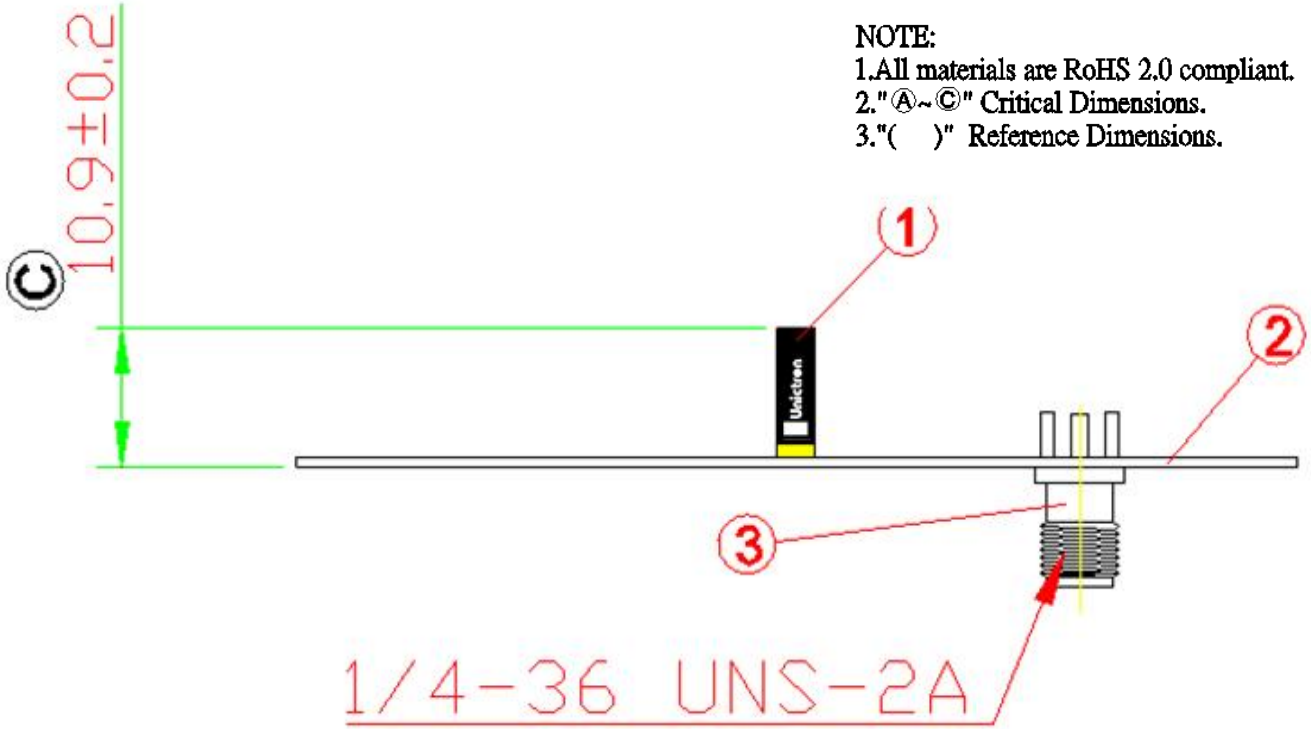
TITLE : 3.0 x 3.0 x 10.0 (mm), 2.4 GHz, Vertical Polarization
Pillar Antenna (CW10D7) Engineering Specification

DOCUMENT
NO.

H2U36D2K1B0100

REV.
C

NOTE:
 1.All materials are RoHS 2.0 compliant.
 2."A~C" Critical Dimensions.
 3."()" Reference Dimensions.



Unit: mm

ITEM	PART NO.	Name	Material	Color	Q'ty
1		Chip antenna	FR4		1
2		EVB Board PCB	FR4	Black	1
3		SMA(F)ST	Brass	Gold	1
4		L_0402			1
5		L_0402			1
6		C_0402			1
7		0Ω			1

Unictron
Technologies Corp.
2021-12-10
Document
Control Centre



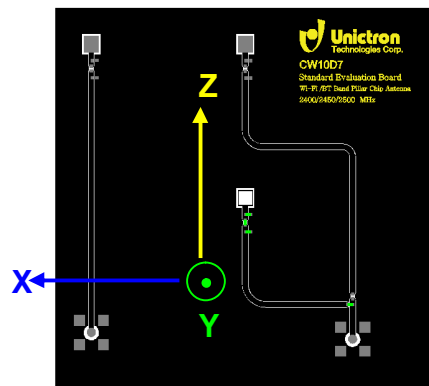
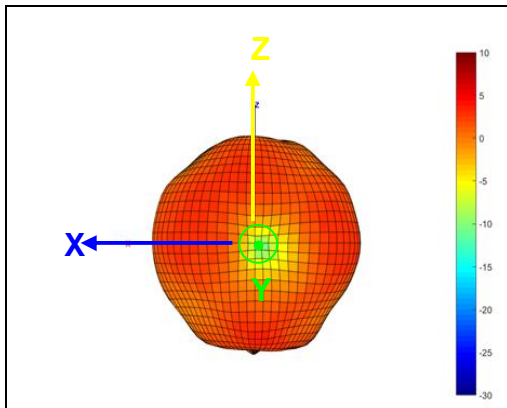
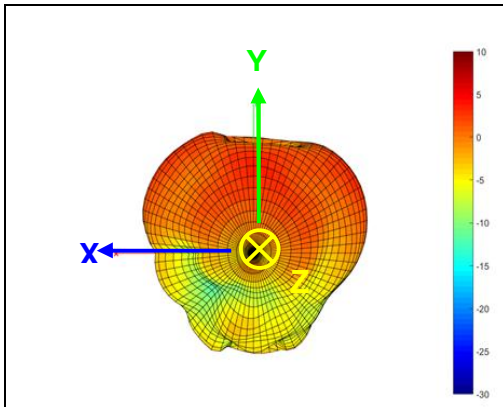
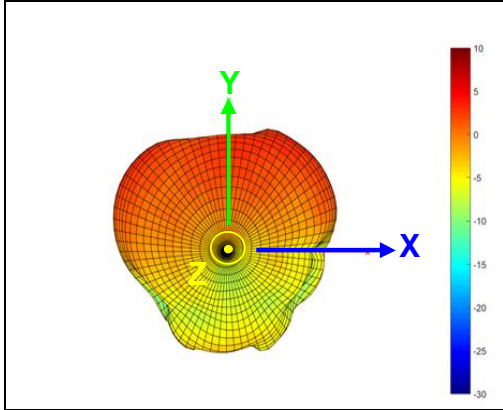
詠業科技股份有限公司
 Unictron Technologies Corporation
 Website: www.unictron.com

THIS DRAWINGS AND SPECIFICATIONS ARE THE PROPERTY OF UNICTRON TECHNOLOGIES CORPORATION AND SHALL NOT BE REPRODUCED OR USED AS THE BASIS FOR THE MANUFACTURE OR SALE OF APPARATUS OR DEVICES WITHOUT PERMISSION

Prepared by : **Betty** Designed by : **Alex** Checked by : **Mike** Approved by : **Herbert**

TITLE : 3.0 x 3.0 x 10.0 (mm), 2.4 GHz, Vertical Polarization Pillar Antenna (CW10D7) Engineering Specification	DOCUMENT NO.	H2U36D2K1B0100	REV.
			C

7. 3D Radiation Gain Pattern@ 2442 MHz (Unit: dBi)



Unictron
Technologies Corp.

2021-12-10

Document
Control Centre



詠業科技股份有限公司
Unictron Technologies Corporation
Website: www.unictron.com

THIS DRAWINGS AND SPECIFICATIONS ARE THE PROPERTY OF UNICTRON TECHNOLOGIES CORPORATION AND SHALL NOT BE REPRODUCED OR USED AS THE BASIS FOR THE MANUFACTURE OR SALE OF APPARATUS OR DEVICES WITHOUT PERMISSION

Prepared by : **Betty**

Designed by : **Alex**

Checked by : **Mike**

Approved by : **Herbert**

**TITLE : 3.0 x 3.0 x 10.0 (mm), 2.4 GHz, Vertical Polarization
Pillar Antenna (CW10D7) Engineering Specification**

**DOCUMENT
NO.**

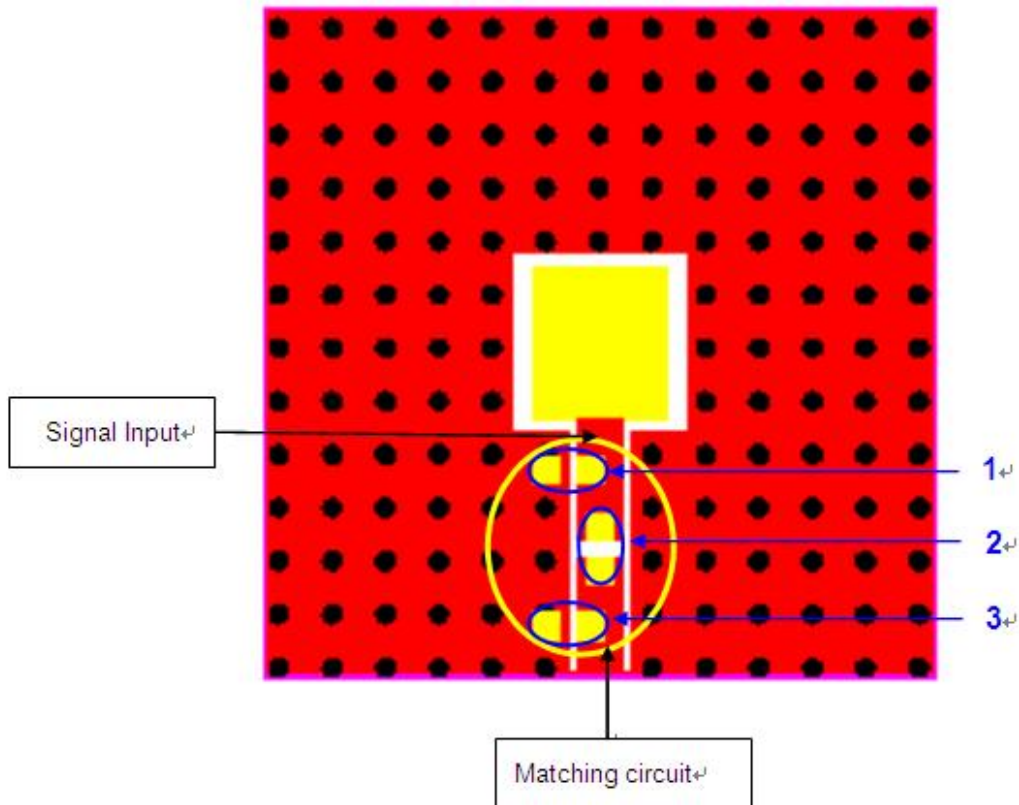
H2U36D2K1B0100

REV.

C

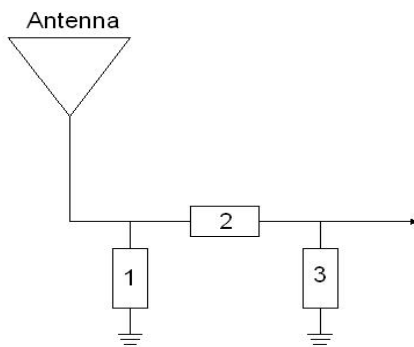
8. Frequency Tuning

8-1. Chip antenna tuning scenario :



8-2. Matching circuit :

With the following recommended values of matching and tuning components, the center frequencies will be about 2442 MHz at our standard 80 x 80 mm² evaluation board. However, these are typical reference values which may need to be changed when circuit boards or part vendors are different.



System Matching Circuit Component			
Location	Description	Vendor	Tolerance
1	1nH, (0402)	MURATA	±0.1 nH
2	1nH, (0402)	MURATA	±0.1 nH
3	1.5pF,(0402)	MURATA	±0.1 pF

2021-12-10

Document

Control Centre



詠業科技股份有限公司
Unictron Technologies Corporation
Website: www.unictron.com

THIS DRAWINGS AND SPECIFICATIONS ARE THE PROPERTY OF UNICTRON TECHNOLOGIES CORPORATION AND SHALL NOT BE REPRODUCED OR USED AS THE BASIS FOR THE MANUFACTURE OR SALE OF APPARATUS OR DEVICES WITHOUT PERMISSION

Prepared by : **Betty**

Designed by : **Alex**

Checked by : **Mike**

Approved by : **Herbert**

**TITLE : 3.0 x 3.0 x 10.0 (mm), 2.4 GHz, Vertical Polarization
Pillar Antenna (CW10D7) Engineering Specification**

**DOCUMENT
NO.**

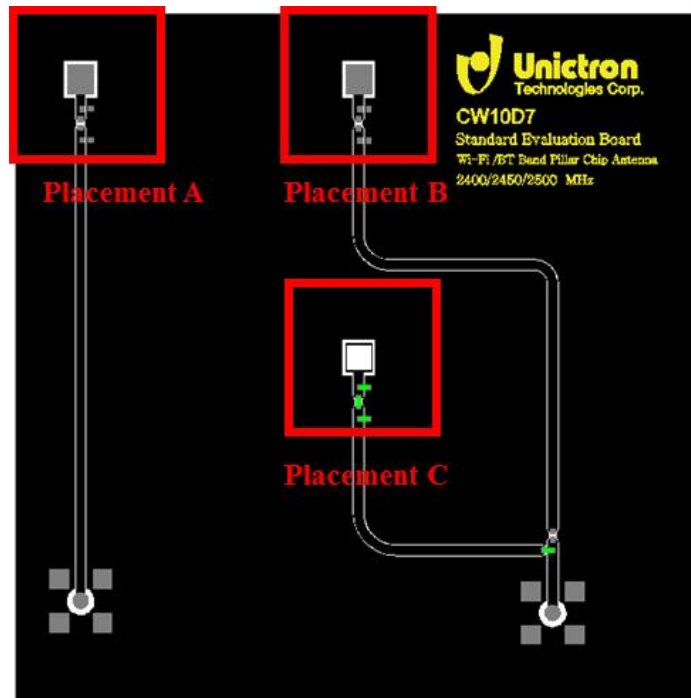
H2U36D2K1B0100

REV.

C

9. Typical Efficiency Values @ 2442 MHz with three antenna installation locations

The radiation efficiencies of antenna installed at various locations on the evaluation board are shown in the table below.



Placements	Efficiency (%)	Polarizations
A	74.6	Horizontal + Vertical
B	63.6	Horizontal + Vertical
C	61.5	Vertical



詠業科技股份有限公司
Unictron Technologies Corporation
Website: www.unictron.com

THIS DRAWINGS AND SPECIFICATIONS ARE THE PROPERTY OF UNICTRON TECHNOLOGIES CORPORATION AND SHALL NOT BE REPRODUCED OR USED AS THE BASIS FOR THE MANUFACTURE OR SALE OF APPARATUS OR DEVICES WITHOUT PERMISSION

Prepared by : **Betty**

Designed by : **Alex**

Checked by : **Mike**

Approved by : **Herbert**

**TITLE : 3.0 x 3.0 x 10.0 (mm), 2.4 GHz, Vertical Polarization
Pillar Antenna (CW10D7) Engineering Specification**

**DOCUMENT
NO.**

H2U36D2K1B0100

**REV.
C**

10. Soldering Conditions

Typical Soldering Profile for Lead-free Process



*Recommended solder paste alloy: SAC305 (Sn96.5 /Ag3 /Cu0.5) Lead Free solder paste

Unictron Technologies Corp.
2021-12-10
Document Control Centre



詠業科技股份有限公司
Unictron Technologies Corporation
Website: www.unictron.com

THIS DRAWINGS AND SPECIFICATIONS ARE THE PROPERTY OF UNICTRON TECHNOLOGIES CORPORATION AND SHALL NOT BE REPRODUCED OR USED AS THE BASIS FOR THE MANUFACTURE OR SALE OF APPARATUS OR DEVICES WITHOUT PERMISSION

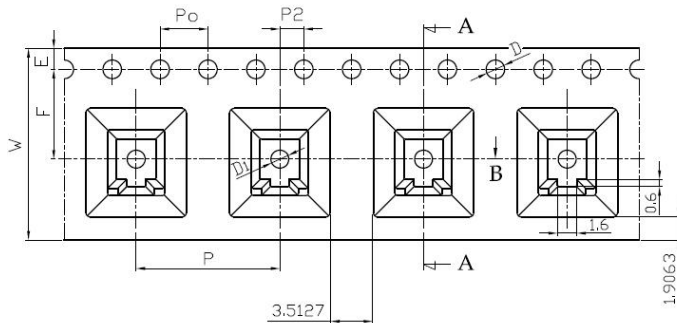
Prepared by : **Betty** Designed by : **Alex** Checked by : **Mike** Approved by : **Herbert**

TITLE : 3.0 x 3.0 x 10.0 (mm), 2.4 GHz, Vertical Polarization Pillar Antenna (CW10D7) Engineering Specification	DOCUMENT NO.	H2U36D2K1B0100	REV.
			C

11. Packing

- (1) Quantity/Reel: 500 pcs/Reel
- (2) Plastic tape: Black Conductive Polystyrene.

a. Tape Drawing



b. Tape Dimensions (unit: mm)

Feature	Specifications	Tolerances
W	16.00	±0.30
P	12.00	±0.10
E	1.75	±0.10
F	7.50	±0.10
P2	2.00	±0.10
D	1.50	+0.10 -0.00
D1	1.50	±0.10
Po	4.00	±0.10
10Po	40.00	±0.20

12. Operating & Storage Conditions

12-1. Operating

- (1) Maximum Input Power: 2 W
- (2) Operating Temperature: -40°C to 85°C
- (3) Relative Humidity: 10% to 70%

12-2. Storage (sealed)

- (1) Storage Temperature: -5°C to 40°C
- (2) Relative Humidity: 20% to 70%
- (3) Shelf Life: 1 year

12-3. Storage (unsealed)

Meet the criteria of J-STD-033 MSL2a

12-4. Storage (After mounted on customer's PCB with SMT process)

- (1) Storage Temperature: -40°C to 85°C
- (2) Relative Humidity: 10% to 70%



詠業科技股份有限公司
Unictron Technologies Corporation
Website: www.unictron.com

THIS DRAWINGS AND SPECIFICATIONS ARE THE PROPERTY OF UNICTRON TECHNOLOGIES CORPORATION AND SHALL NOT BE REPRODUCED OR USED AS THE BASIS FOR THE MANUFACTURE OR SALE OF APPARATUS OR DEVICES WITHOUT PERMISSION

Prepared by : **Betty**

Designed by : **Alex**

Checked by : **Mike**

Approved by : **Herbert**

**TITLE : 3.0 x 3.0 x 10.0 (mm), 2.4 GHz, Vertical Polarization
Pillar Antenna (CW10D7) Engineering Specification**

**DOCUMENT
NO.**

H2U36D2K1B0100

**REV.
C**

13. Notice

(1) Installation Guide:

Please refer to Unictron's application note "General guidelines for the installation of Unictron's chip antennas" for further information.

(2) All specifications are subject to change without notice.



詠業科技股份有限公司
Unictron Technologies Corporation
Website: www.unictron.com

THIS DRAWINGS AND SPECIFICATIONS ARE THE PROPERTY OF UNICTRON TECHNOLOGIES CORPORATION AND SHALL NOT BE REPRODUCED OR USED AS THE BASIS FOR THE MANUFACTURE OR SALE OF APPARATUS OR DEVICES WITHOUT PERMISSION

Prepared by : **Betty** Designed by : **Alex** Checked by : **Mike** Approved by : **Herbert**

TITLE : 3.0 x 3.0 x 10.0 (mm), 2.4 GHz, Vertical Polarization Pillar Antenna (CW10D7) Engineering Specification	DOCUMENT NO.	H2U36D2K1B0100	REV.
			C