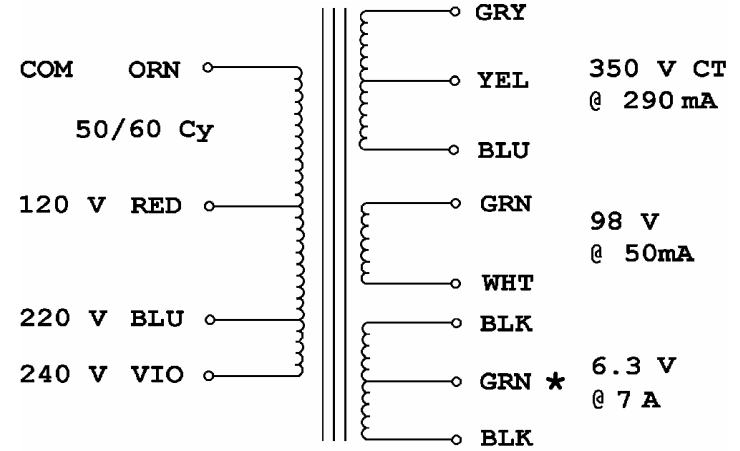
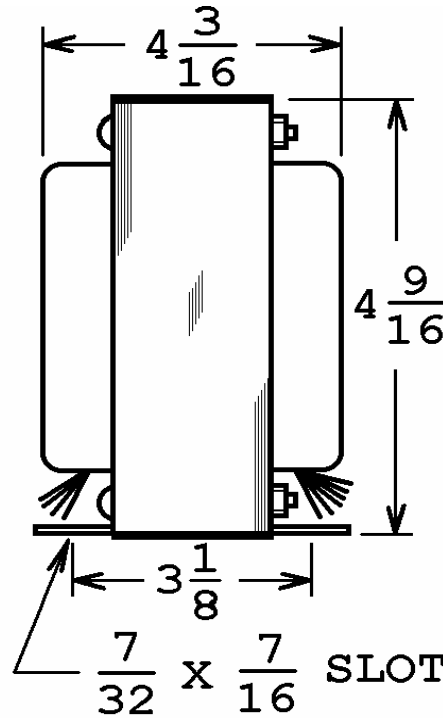
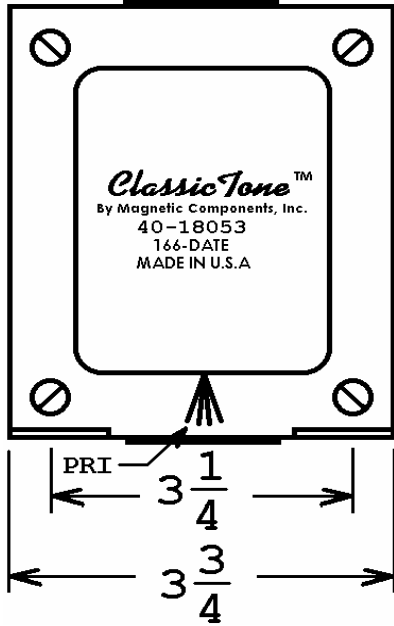


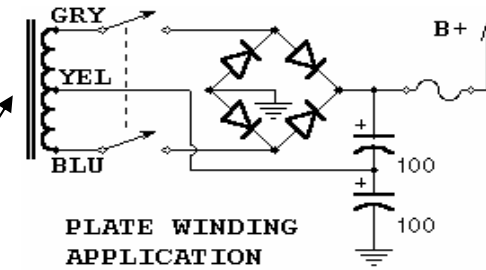
40-18053

This drawing is the property of Magnetic Components, Inc. and shall not be reproduced, in whole or in part, without the written permission of Magnetic Components, Inc.

REVISIONS			
LTR	DESCRIPTION	DATE	APPROVED
A	ADD YEL LEAD WIRE NOTE	04/02/12	M. Sacketti



* GRN LEAD (C.T.) IS ON PRIMARY SIDE OF UNIT



NOTE: IF ONLY ONE FILTER CAP IS USED, DO NOT USE THE YEL WIRE. INSULATE IT AND DO NOT CONNECT IT TO ANYTHING.

UNLESS OTHERWISE SPECIFIED	SIGNATURES		DATE		MAGNETIC COMPONENTS, INC.		DIV :		
	DRAWN : <i>M. Sacketti</i>		05 AUG 10				LOC : SCHILLER PK		
ALL DIMENSIONS IN INCHES DO NOT SCALE DRAWING	CHECK :				TITLE				
					100W MARSHALL POWER				
FRACTIONS +/-	APPR : <i>M. Sacketti</i>		05 AUG 10		CAGE	50508	SIZE	40-18053	REV
.X = +/-					SCALE	NONE	A		A
.XX = +/-									
.XXX = +/-									
ANGLES = +/-					SHEET :				