

CTLFPP2R5GF Series

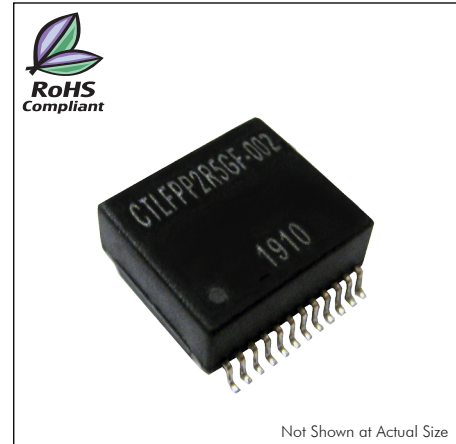
CHARACTERISTICS

Description: 2.5G Base-T, PoE & PoE+, 24 pin SMD

Operating Temperature: 0°C to 70°C

Features:

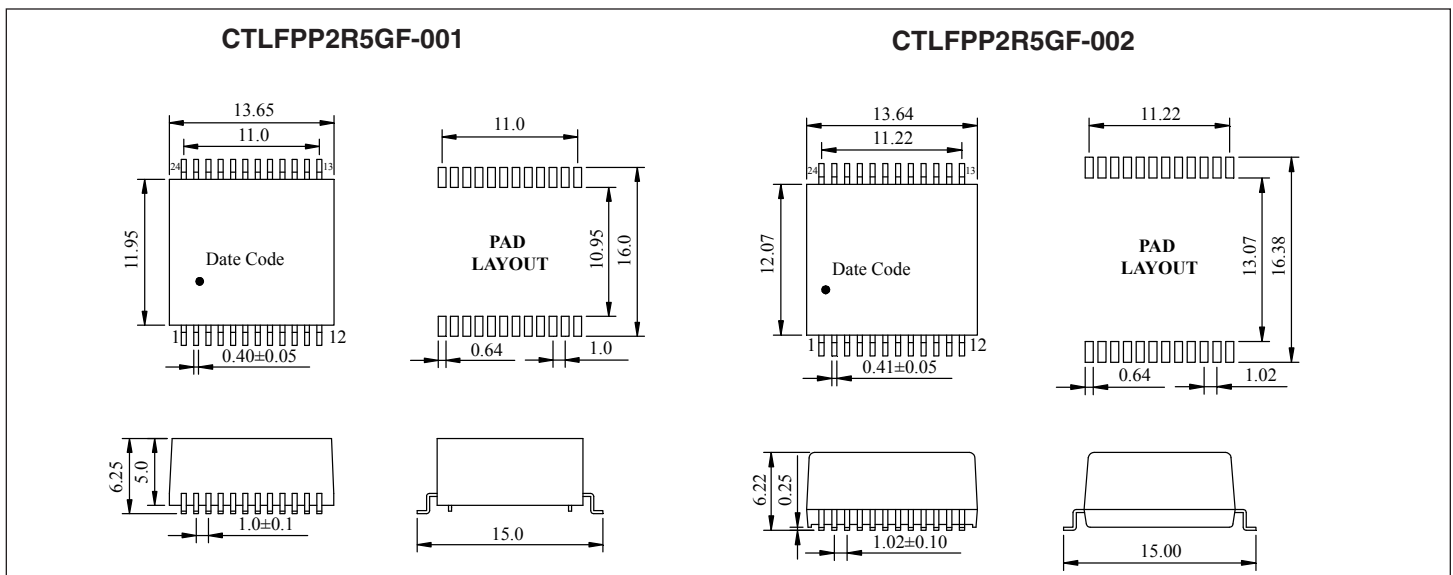
- Designed for long haul Gigabit Ethernet 2.5G Base-T, full duplex applications
- Supports 4 pairs of category 5 UTP cable
- Cable interface for isolation and low common mode emissions
- Compliant with IEEE 802.3an standard
- Meet IEEE 802.3af standards with 350mA
- Meet IEEE 802.3at standards with 720mA



SPECIFICATIONS

Part Number	Insertion Loss (dB Max.)		Return Loss (dB Min. @100Ω)		Common to Differential Mode Rejection (dB Typ.)	Crosstalk (dB Typ.)	Common to Mode Rejection (dB Typ.)	PoE Current	Hipot (Vrms Min.)
	1-50 MHz	50-125 MHz	1-40 MHz	40-200 MHz	10-125 MHz	1-125 MHz	30-200 MHz		
CTLFPP2R5GF-001	-0.5	-1.0	-20	-20+15log(f/40MHz)	-45+f/35	-39	-30	350mA	1500
CTLFPP2R5GF-002	-0.5	-1.0	-20	-20+15log(f/40MHz)	-45+f/35	-39	-30	720mA	1500

PHYSICAL DIMENSIONS & PAD LAYOUT

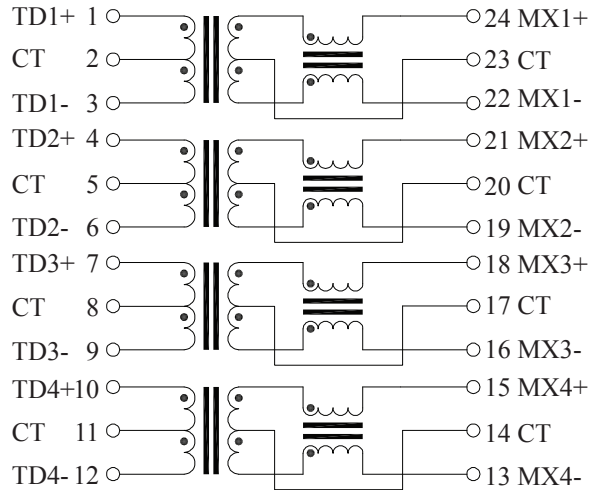


Unit: mm Unless otherwise specified, all tolerances are ±0.25

CTLFPP2R5GF

SCHEMATICS

CTLFPP2R5GF-001



CTLFPP2R5GF-002

