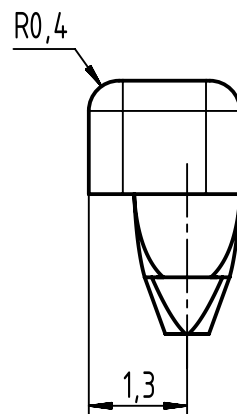
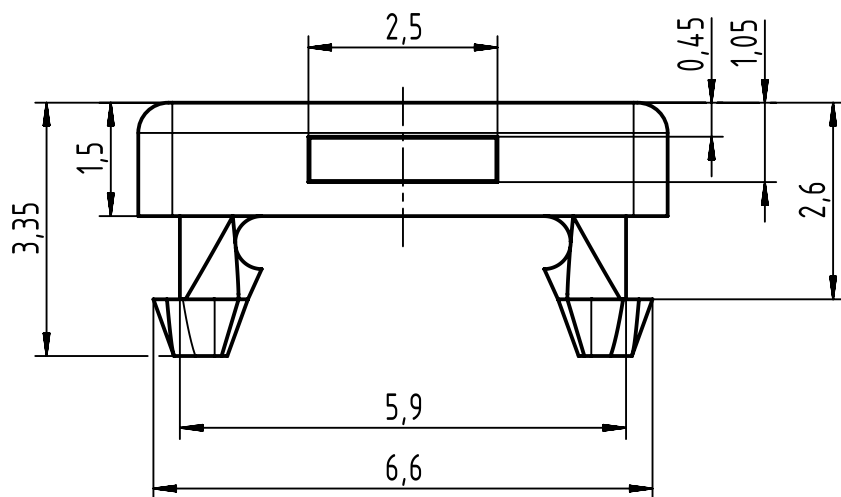




RFID Chip
possible option



09458500011	colour-clip black
09458500010	colour-clip brown RAL 8004
09458500009	colour-clip green
09458500008	colour-clip blue
09458500007	colour-clip red
09458500006	colour-clip orange
09458500005	colour-clip magenta RAL 4003
09458500004	colour-clip pink RAL 3015
09458500003	colour-clip yellow
09458500002	colour-clip grey
09458500001	colour-clip white RAL 1013

HARTING part-no.

Description

	All rights reserved Department EC PD - RO HARTING Electronics GmbH D-32339 Espelkamp	 All Dimensions in mm Original Size DIN A4	Scale 10:1	Free size tol.		Ref. Sub.		
		Created by TAMAS	Inspected by AVRAM	Standardisation HOFFMANN	Date 2016-03-07	State Final Release	Doc-Key / ECM-Nr. 100181900/UGD/001/B 500000101270	
Title Colour-Clip for RJ Industrial					Type TB	Number 094585000XX	Rev. B	Page 1/1