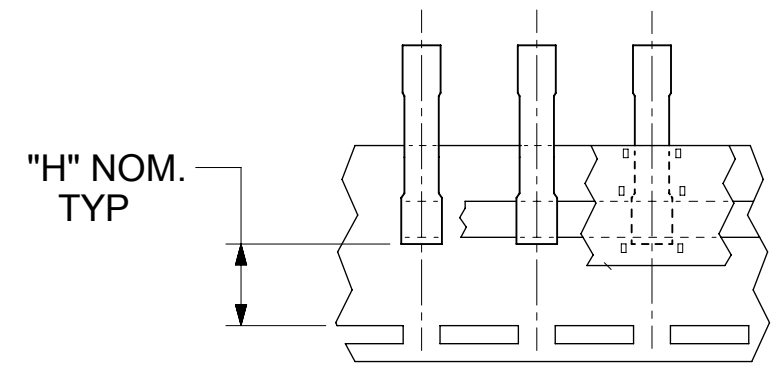
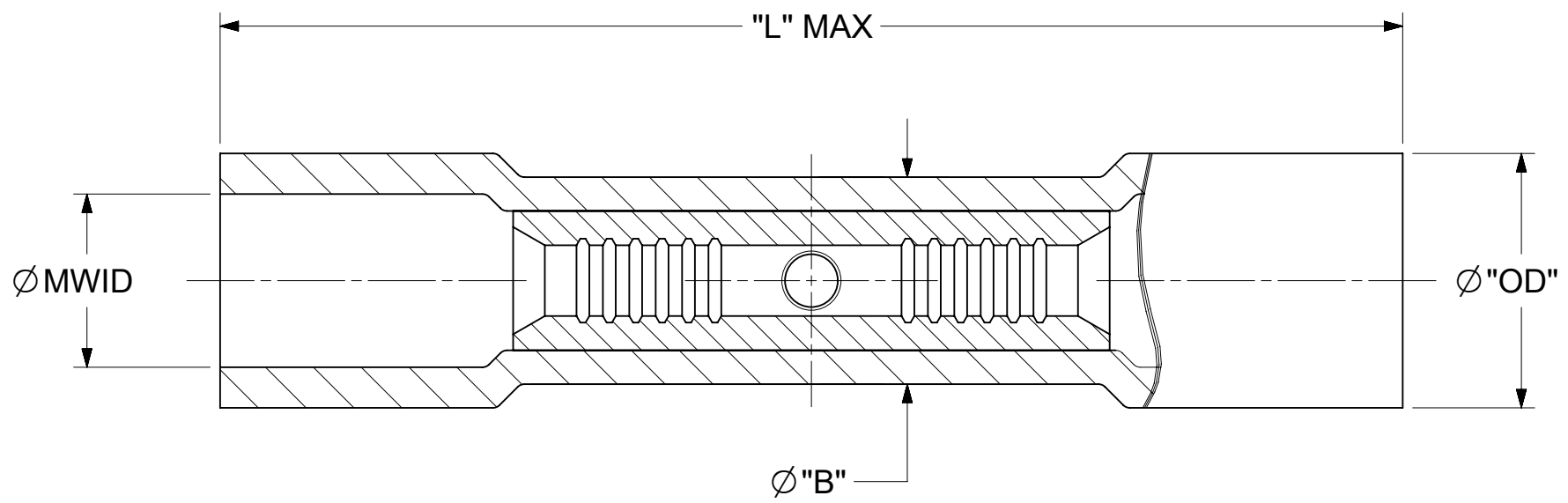
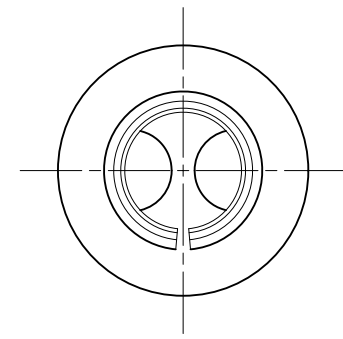


MATERIAL NO.	ENG. NO.	MATERIAL NO. (TAPED)	ENG NO. (TAPED)	COLOR	MWID	OD (MAX)	"L" MAX	"B" (MAX)	ID (MIN)	"H" (NOM)
191540004	A-245X	191540006	A-245XT	RED	.150 (3.81)	.24 (6.1)	.98 (24.9)	.20 (5.1)	.060 (1.52)	.49 (12.4)
191540015	B-231X	191540017	B-231XT	BLUE	.175 (4.45)	.27 (6.9)	1.00 (25.4)	.24 (6.1)	.080 (2.03)	
191540028	C-246X	191540030	C-246XT	YELLOW	.260 (6.60)	.36 (9.2)	1.14 (29.0)	.30 (7.6)	.125 (3.17)	.43 (10.9)



TAPE MOUNTED PARTS



NOTES:

1. MATERIALS: PVC INSULATION OVER TIN-PLATED COPPER SPLICE.
2. COLOR: SEE CHART.
3. MWID = MAXIMUM WIRE INSULATION DIAMETER
4. PARTS ARE RoHS COMPLIANT.

THIS DRAWING CONTAINS INFORMATION THAT IS PROPRIETARY TO MOLEX ELECTRONIC TECHNOLOGIES, LLC AND SHOULD NOT BE USED WITHOUT WRITTEN PERMISSION											
FUNCTIONAL SYMBOLS	DIMENSION UNITS		SCALE		CURRENT REV DESC: "L MAX" DIM UPDATE: .98 WAS .97 & 1.00 WAS .98						
	INCH/MM		NTS		<p>EC NO: 713658 DRWN: DMYRICK 2022/07/08 CHKD: THEANY 2022/07/11 APPR: THEANY 2022/07/11</p> <p>INITIAL REVISION: DRWN: ETHRODAHL 2009/07/09 APPR: JMACNEIL 2009/07/09</p>						
GENERAL TOLERANCES (UNLESS SPECIFIED)											
4 PLACES		±	MM	±							INCH
3 PLACES		±	MM	±							0.005
DIVISIONAL SYMBOLS	2 PLACES		±	0.13	±	0.01					
	1 PLACE		±	0.25	±						
	0 PLACES		±		±						
ANGULAR TOL				±	0.5°						
DRAFT WHERE APPLICABLE MUST REMAIN WITHIN DIMENSIONS				THIRD ANGLE PROJECTION		DRAWING		SERIES		MATERIAL NUMBER	
						B-SIZE		19154		SEE CHART	
								CUSTOMER		GENERAL MARKET	
								DOC TYPE		PSD	
								DOC PART		001	
								REVISION		A1	
								SHEET NUMBER		1 OF 1	