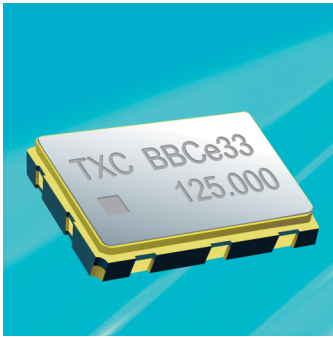


7 x 5 mm SMD LVPECL CXO BB SERIES



Features

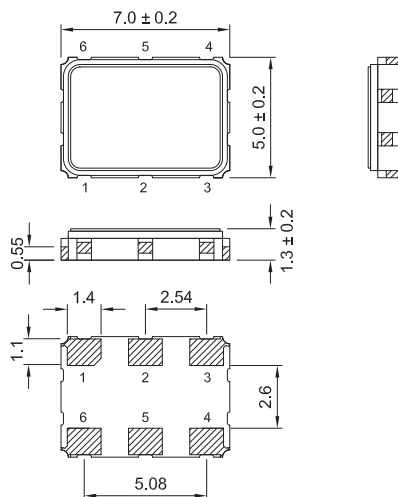
- > 3rd overtone solution.
- > 3.3V and 2.5V operation available.
- > LVPECL output, output frequencies 50 MHz to 160 MHz.
- > Excellent low phase noise and jitter.
- > Tri-State function available.
- > Applications : Fibre Channel, Gigabit Ethernet, Serial ATA, Serial Attached SCSI, PCI-Express, SDH / SONET.
- > RoHS Compliant / Pb Free.

Electrical Specifications

| Item / Type | BB |
|--|------------------------------|
| Output Type | LVPECL |
| Output Load | 50 Ω to VDD - 2 V |
| Oscillation Mode | 3rd Overtone |
| Supply Voltage | 2.5 V , 3.3 V |
| Frequency Range | 50 ~ 160 MHz |
| Overall Frequency Stability * | ± 50 ppm (- 40 ~ + 85 °C) |
| Operating Temperature Range | - 40 ~ + 85 °C |
| Storage Temperature Range | - 55 ~ + 125 °C |
| Voltage Vol (Max.) / Voh (Min.) | VDD - 1.62 V / VDD - 1.025 V |
| Rise (Tr) / Fall (Tf) Time (20 % ~ 80 %) | 1 ns Max. |
| Supply Current | 80 mA Max. |
| Symmetry | 45 ~ 55 % |
| Start-up Time | 10 ms Max. |
| Phase Jitter (12 KHz ~ 20 MHz) | 1 ps Max. |

* Inclusive of initial tolerance, operating temperature, supply voltage variation and aging.

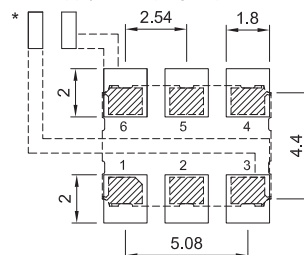
Dimensions



PAD FUNCTION:
 1:ENABLE CONTROL
 2:NC
 3:GND
 4:OUT
 5:-OUT
 6:VDD

Suggested Layout

* :Power Supply Decoupling Capacitor is Required.



Units:mm

Remark : Specification subject to change without prior notice. Please confirm with our sales.