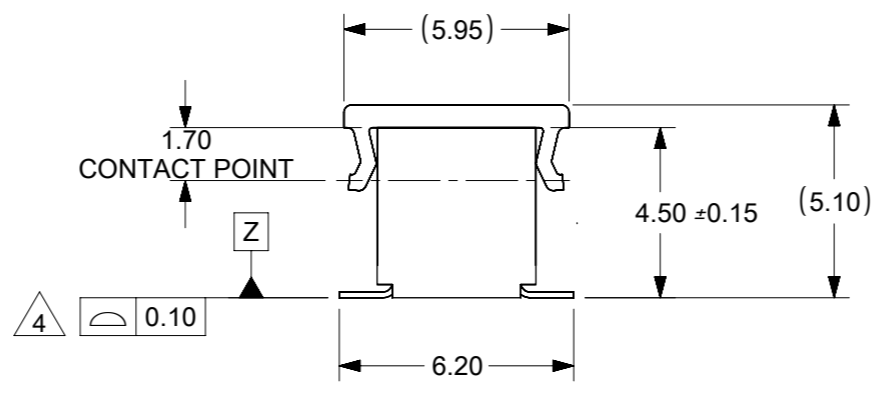
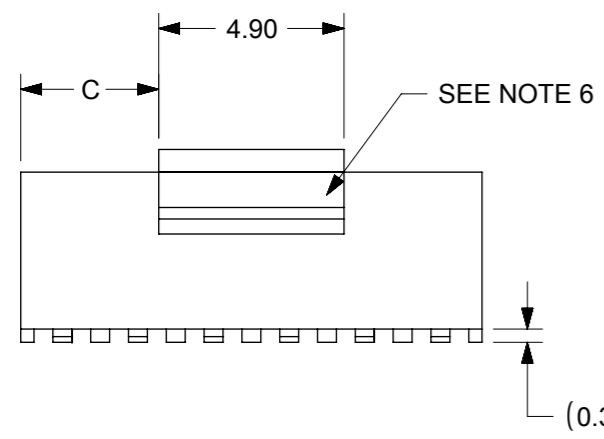
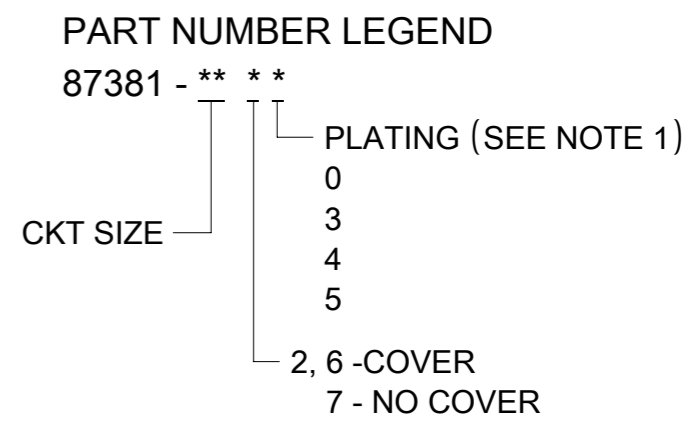


RECOMENDED PCB LAYOUT



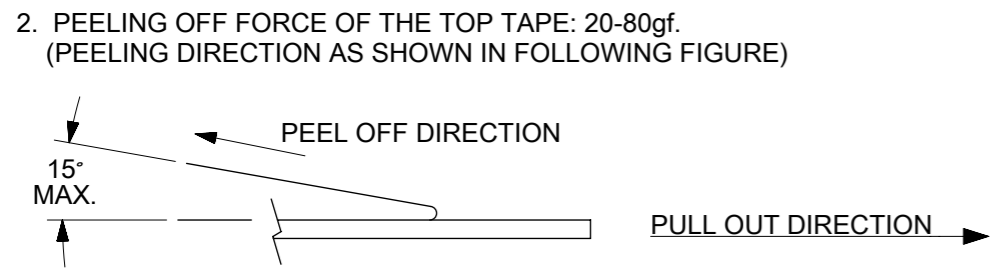
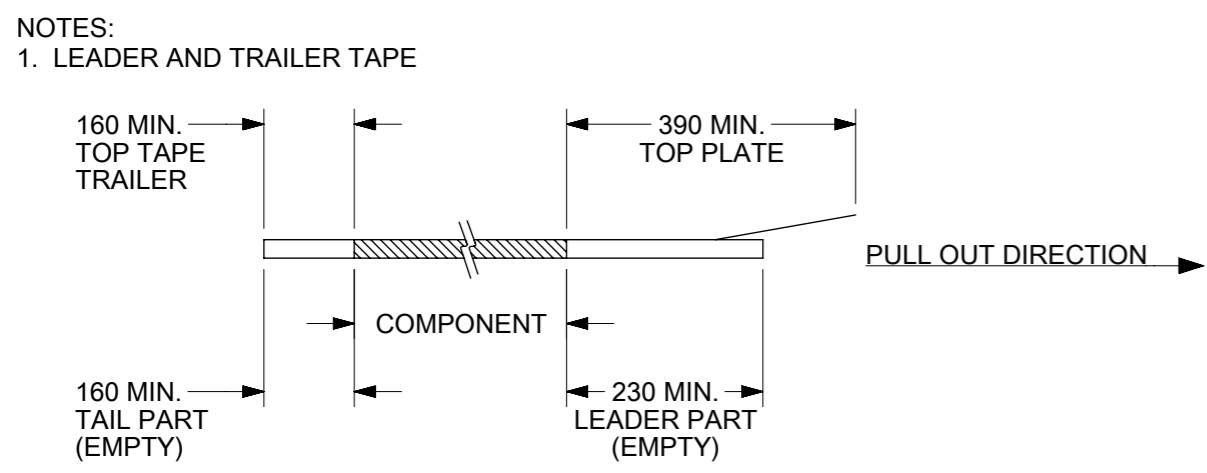
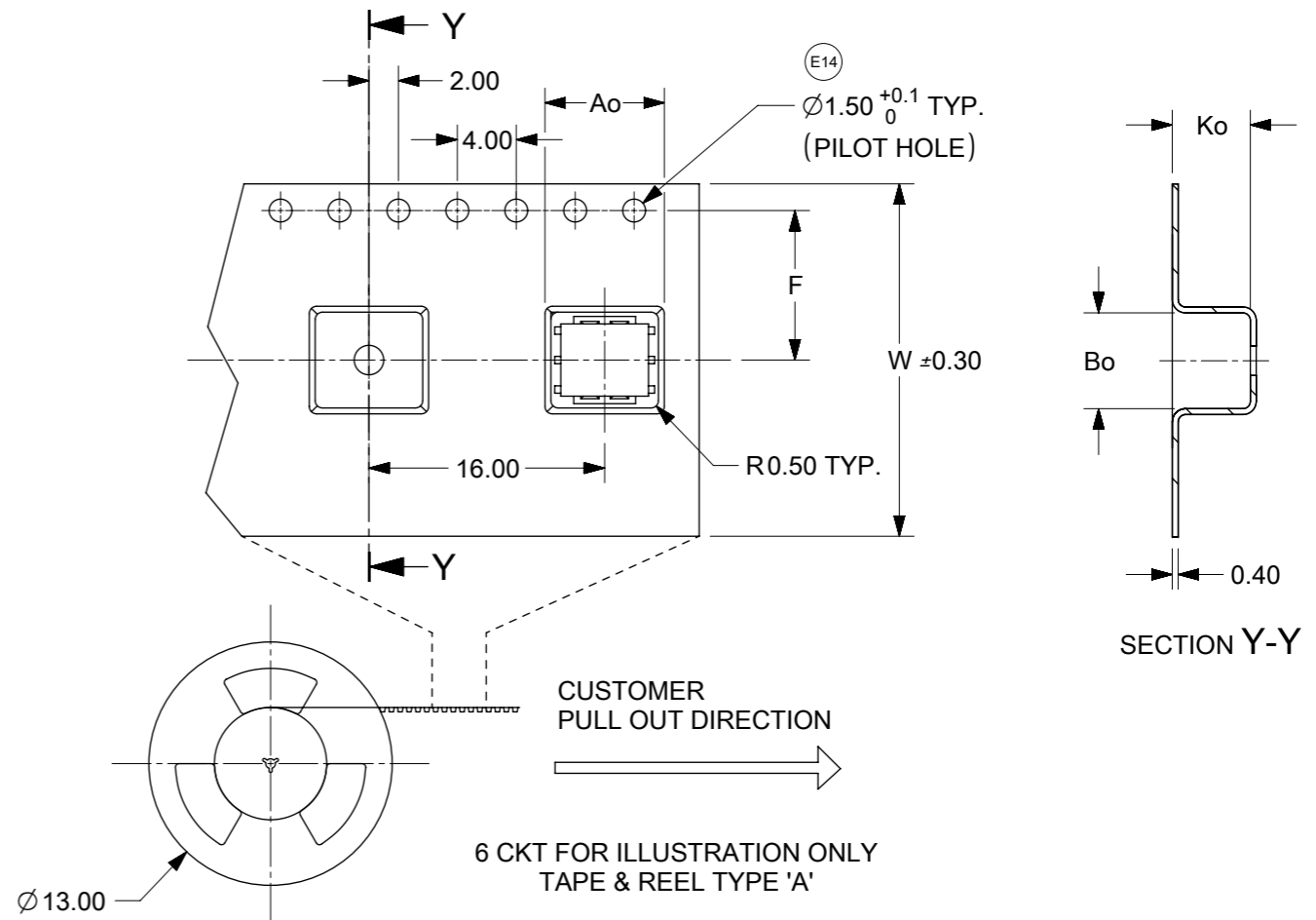
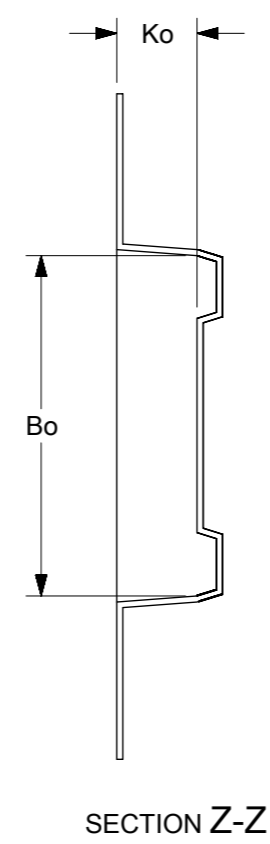
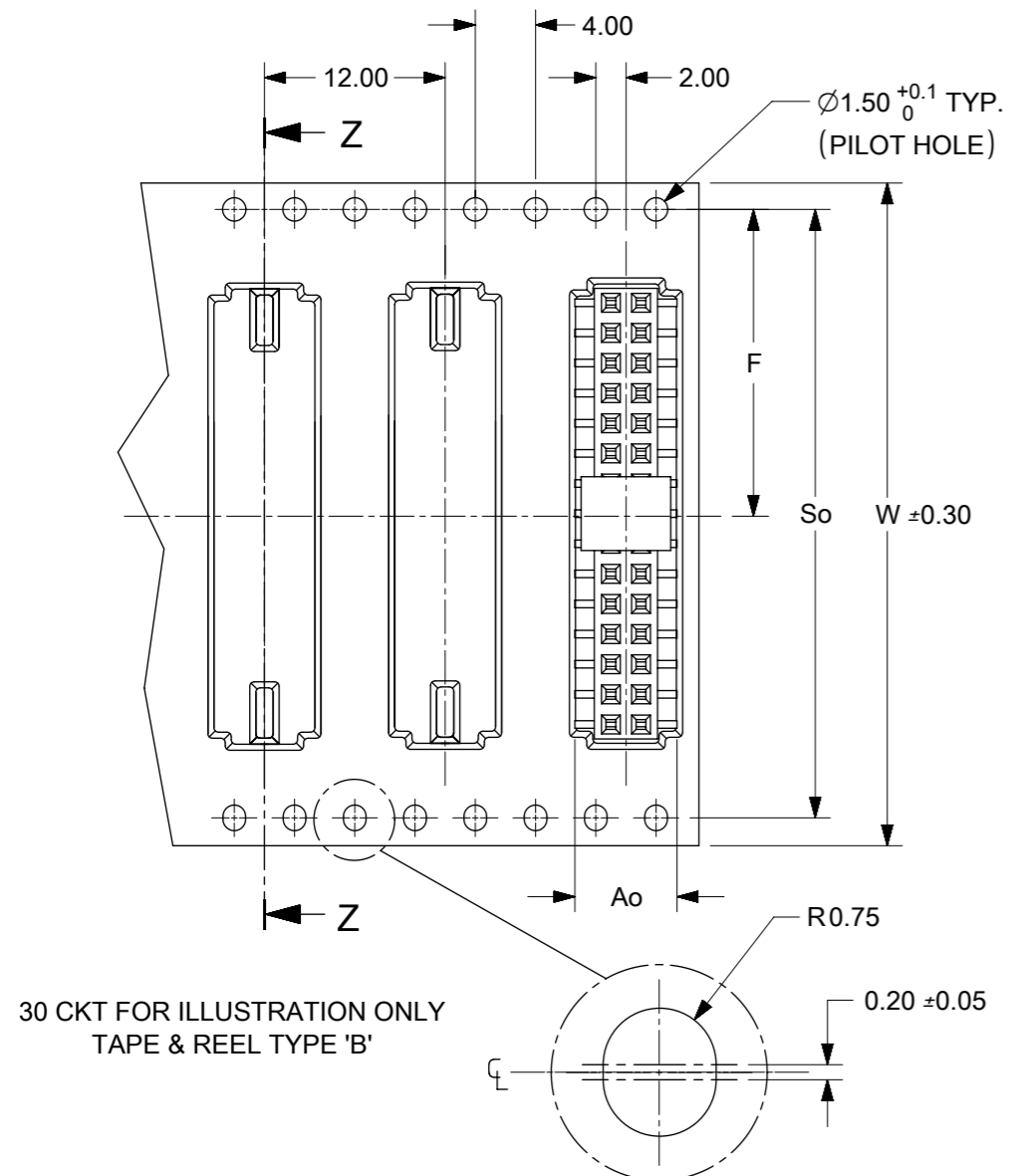
PART NUMBER W/CAP IN TUBE	CKT. SIZE	DIM A	DIM B	DIM C
87381-06**	6	6.00	4.00	0.55
87381-08**	8	8.00	6.00	1.55
87381-10**	10	10.00	8.00	2.55
87381-12**	12	12.00	10.00	3.55
87381-14**	14	14.00	12.00	4.55
87381-16**	16	16.00	14.00	5.55
87381-18**	18	18.00	16.00	6.55
87381-20**	20	20.00	18.00	7.55
87381-22**	22	22.00	20.00	8.55
87381-24**	24	24.00	22.00	9.55
87381-26**	26	26.00	24.00	10.55
87381-28**	28	28.00	26.00	11.55
87381-30**	30	30.00	28.00	12.55
87381-32**	32	32.00	30.00	13.55
87381-34**	34	34.00	32.00	14.55
87381-36**	36	36.00	34.00	15.55
87381-38**	38	38.00	36.00	16.55
87381-40**	40	40.00	38.00	17.55
87381-42**	42	42.00	40.00	18.55
87381-44**	44	44.00	42.00	19.55
87381-46**	46	46.00	44.00	20.55
87381-48**	48	48.00	46.00	21.55
87381-50**	50	50.00	48.00	22.55

- NOTES:
- PLATING FINISH:
    - 0, 3 - 0.76µm MIN. GOLD IN CONTACT AREA 1.27µm MIN. TIN IN SOLDER TAIL AREA BOTH OVER 1.27µm MIN. NICKEL OVERALL
    - 4 - 0.38µm MIN. GOLD IN CONTACT AREA 1.27µm MIN. TIN IN SOLDER TAIL AREA BOTH OVER 1.27µm MIN. NICKEL OVERALL
    - 5 - 0.05µm MIN. GOLD FLASH IN CONTACT AREA 1.90µm MIN. TIN IN SOLDER TAIL AREA BOTH OVER 1.27µm MIN. NICKEL OVERALL
  - 12 CKT SIZE SHOWN FOR ASSY ILLUSTRATION ONLY. (SEE CHART FOR ALL PART SIZES), 6 CKT & 30 CKT ILLUSTRATED FOR TAPE/REEL VERSION ON SHT 2.
  - PRODUCT SPECIFICATION PS-87380 APPLIES. COPLANARITY OF SOLDER TAILS ARE TO BE MEASURED BY RESTING THE PART ON A FLAT GAUGE SURFACE +0.05 UPWARDS AND -0.05 DOWNWARDS.
  - TUBE PACKAGING STANDARD.
  - COVER IS OPTIONAL, SEE LEGEND.
  - PARTS SHALL BE PACKED IN MOISTURE BARRIER BAG.
  - REFER SHT 3 FOR P/N: 87381-6000 T&R ILLUSTRATION.
  - PEG AND PCB HOLE OPTIONAL DEPENDING UPON THE PART

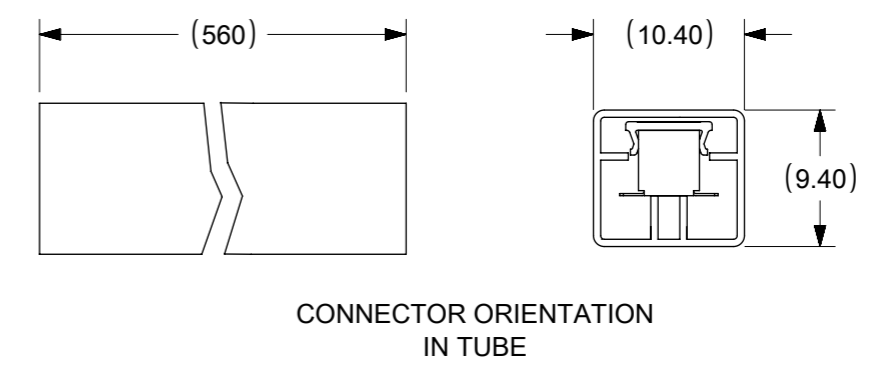


THIS DRAWING CONTAINS INFORMATION THAT IS PROPRIETARY TO MOLEX ELECTRONIC TECHNOLOGIES, LLC AND SHOULD NOT BE USED WITHOUT WRITTEN PERMISSION

DIMENSION UNITS	SCALE	CURRENT REV DESC:		<b>molex</b>	
mm	NTS				
GENERAL TOLERANCES (UNLESS SPECIFIED)		EC NO: 629056		MGRID, TOP ENTRY RECEPT. 4.50MM HT., SMT	
		DRWN: ABABUPS 2019/10/31			
		CHK'D: MRAMAKRISHNA 2019/12/12			
		APPR: MRAMAKRISHNA 2019/12/12		PRODUCT CUSTOMER DRAWING	
		INITIAL REVISION:		DOCUMENT NUMBER	
		DRWN: JAMES 1998/01/08		SD-87381-XX6X	
		APPR: SQUEK 1999/04/26		DOC TYPE DOC PART REVISION	
				PSD 001 E16	
DRAFT WHERE APPLICABLE MUST REMAIN WITHIN DIMENSIONS		THIRD ANGLE PROJECTION	DRAWING	SERIES	MATERIAL NUMBER
			A3-SIZE	87381	CUSTOMER
				SEE CHART	GENERAL MARKET
				SHEET NUMBER	
				1 OF 5	



- PACKAGING STANDARD IS AS PER EIA-481.
- TAPE & REEL QUANTITY = SEE TABLE



THIS DRAWING CONTAINS INFORMATION THAT IS PROPRIETARY TO MOLEX ELECTRONIC TECHNOLOGIES, LLC AND SHOULD NOT BE USED WITHOUT WRITTEN PERMISSION											
DIMENSION UNITS		SCALE		CURRENT REV DESC:						<b>molex</b>	
mm		NTS									
GENERAL TOLERANCES (UNLESS SPECIFIED)											
		MM		INCH		EC NO: 629056		MGRID, TOP ENTRY RECEPT.		4.50MM HT., SMT	
4 PLACES		±		±		DRWN: ABABUPS 2019/10/31		PRODUCT CUSTOMER DRAWING			
3 PLACES		±		±		CHK'D: MRAMAKRISHNA 2019/12/12		DOCUMENT NUMBER		DOC TYPE DOC PART REVISION	
2 PLACES		± 0.2		±		APPR: MRAMAKRISHNA 2019/12/12		SD-87381-XX6X		PSD 001 E16	
1 PLACE		±		±		INITIAL REVISION:		MATERIAL NUMBER		CUSTOMER	
0 PLACES		±		±		DRWN: JAMES 1998/01/08		SEE CHART		GENERAL MARKET	
ANGULAR TOL		± 3.0°		± 3.0°		APPR: SQUEK 1999/04/26		SHEET NUMBER		2 OF 5	
DRAFT WHERE APPLICABLE MUST REMAIN WITHIN DIMENSIONS				THIRD ANGLE PROJECTION		DRAWING		SERIES		SHEET NUMBER	
						A3-SIZE		87381			

9 8 7 6 5 4 3 2 1

E

D

C

B

A

CKT SIZE	PART No. IN TUBE	PART NO. WITH CAP IN TAPE/REEL	PART NO. WITH PEG WITH CAP IN TAPE/REEL	W	So	Ao	F	Bo	Ko	T & R QUANTITY PER REEL
6	87381-0664	87381-9002	-	24	-	7.00	11.50	6.50	5.30	500
8	87381-0864	87381-9003	-	24	-	7.00	11.50	8.50	5.30	600
10	87381-1064	87381-9005	-	24	-	7.00	11.50	10.50	5.30	680
12	87381-1264	87381-9007	-	24	-	7.00	11.50	12.50	5.30	600
14	87381-1464	87381-9006	-	32	28.40	7.20	14.20	14.50	5.30	750
16	87381-1664	87381-9004	-	32	28.40	7.20	14.20	16.50	5.30	800
18	87381-1864	87381-1800	-	32	28.40	7.20	14.20	18.50	5.30	750
20	87381-2063	87381-2000	-	32	28.40	7.20	14.20	20.50	5.30	800
22	87381-2264	87381-2200	-	44	40.40	7.20	20.20	22.50	5.30	500
30	87381-3064	87381-3000	-	44	40.40	7.20	20.20	30.50	5.30	500
32	87381-3264	87381-3200	-	44	40.40	7.20	20.20	32.50	5.30	500
34	87381-3464	87381-3400	-	56	52.40	7.20	26.20	34.50	5.30	500
40	87381-4063	-	-	56	52.40	8.40	26.20	40.40	5.60	750
40	-	87381-4000	-	56	52.40	8.40	26.20	40.40	5.60	400
44	87381-4464	87381-4400	-	56	52.40	7.20	26.20	44.50	5.30	500
46	87381-4664	87381-4600	-	72	68.40	7.20	34.20	46.50	5.30	750
50	87381-5063	87381-5030	-	72	68.40	7.20	34.20	50.50	5.30	500
50	87381-5064	87381-5000	-	72	68.40	7.20	34.20	50.50	5.30	500

THIS DRAWING CONTAINS INFORMATION THAT IS PROPRIETARY TO MOLEX ELECTRONIC TECHNOLOGIES, LLC AND SHOULD NOT BE USED WITHOUT WRITTEN PERMISSION											
DIMENSION UNITS		SCALE		CURRENT REV DESC:						<b>molex</b>	
mm		NTS									
GENERAL TOLERANCES (UNLESS SPECIFIED)				EC NO: 629056						MGRID, TOP ENTRY RECEPT. 4.50MM HT., SMT	
				DRWN: ABABUPS 2019/10/31							
				CHK'D: MRAMAKRISHNA 2019/12/12						PRODUCT CUSTOMER DRAWING	
				APPR: MRAMAKRISHNA 2019/12/12							
				INITIAL REVISION:						DOCUMENT NUMBER	
				DRWN: JAMES 1998/01/08							
				APPR: SQUEK 1999/04/26						SD-87381-XX6X	
ANGULAR TOL ± 3.0°				THIRD ANGLE PROJECTION		DRAWING		SERIES		CUSTOMER	
DRAFT WHERE APPLICABLE MUST REMAIN WITHIN DIMENSIONS						A3-SIZE		87381		GENERAL MARKET	
DOCUMENT STATUS		P1		RELEASE DATE		2019/12/12 12:22:42		PSD		001 E16	
SHEET NUMBER		3 OF 5									

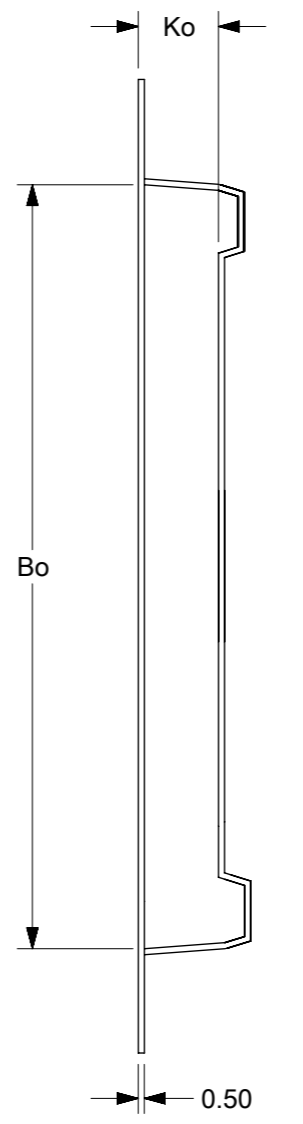
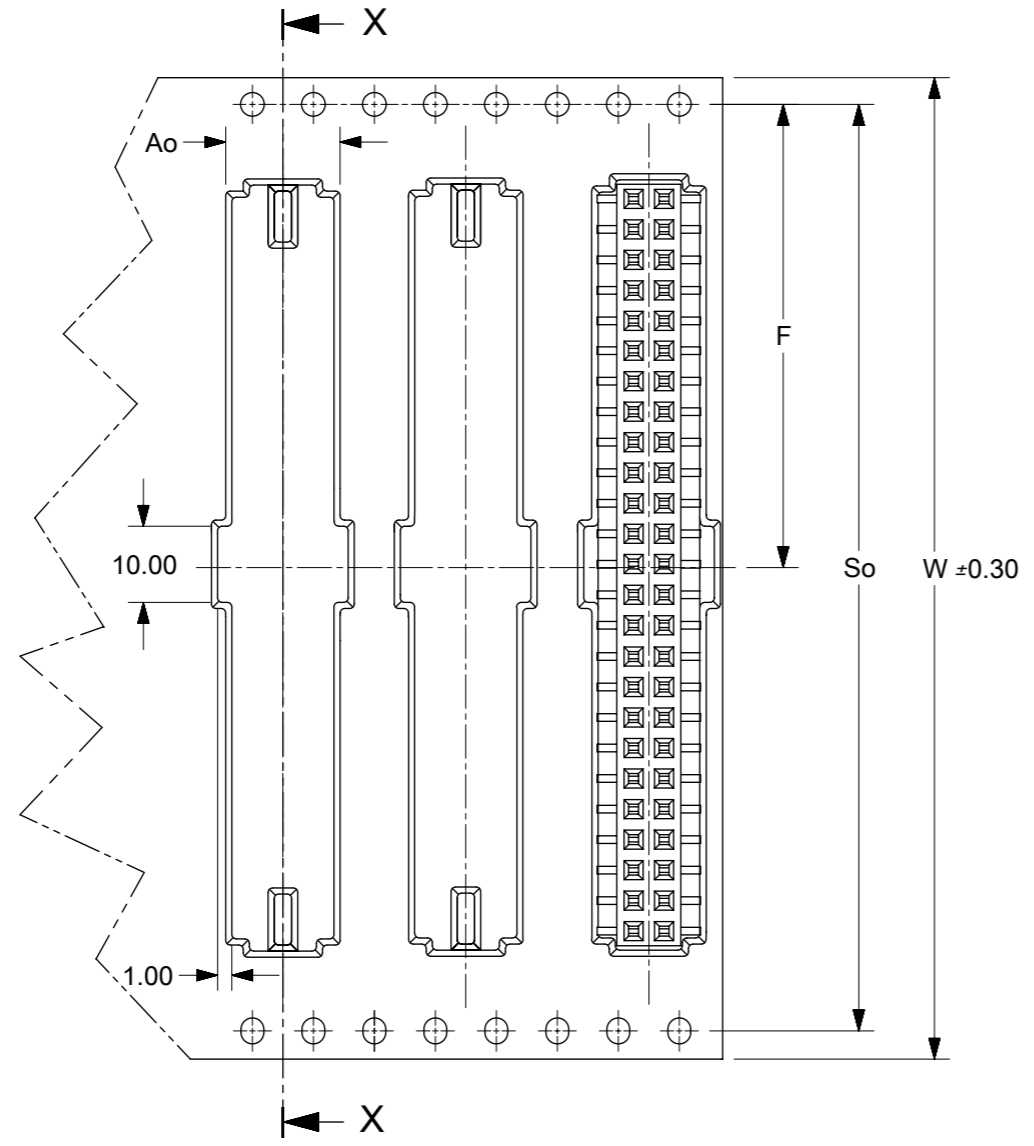
DOCUMENT STATUS P1 RELEASE DATE 2019/12/12 12:22:42

9 8 7 6 5 4 3 2 1

FORMAT: Mol-lega-master-ib-prod-A3  
REVISION: 0  
DATE: 2017/10/08

CKT SIZE	PART No. WITHOUT CAP IN TUBE	PART NO. WITHOUT CAP IN TAPE / REEL	W	So	Ao	F	Bo	Ko	T & R TYPE (SHT 2)	T&R QTY PER REEL
50	87381-5074	87381-6000 $\triangle_8$	72	68.40	6.80	34.20	50.50	8.00	B	500

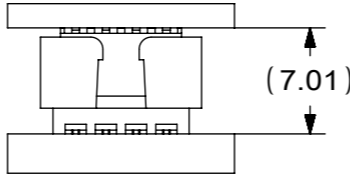
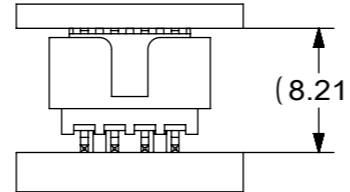
$\triangle_8$  ILLUSTRATION FOR P/N: 87381-6000  
50 CKT IN T&R W/O CAP

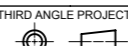


SECTION X-X

THIS DRAWING CONTAINS INFORMATION THAT IS PROPRIETARY TO MOLEX ELECTRONIC TECHNOLOGIES, LLC AND SHOULD NOT BE USED WITHOUT WRITTEN PERMISSION											
DIMENSION UNITS		SCALE		CURRENT REV DESC:						<b>molex</b>	
mm		NTS									
GENERAL TOLERANCES (UNLESS SPECIFIED)				EC NO: 629056						MGRID, TOP ENTRY RECEPT. 4.50MM HT., SMT	
				DRWN: ABABUPS 2019/10/31							
				CHK'D: MRAMAKRISHNA 2019/12/12							
				APPR: MRAMAKRISHNA 2019/12/12						PRODUCT CUSTOMER DRAWING	
				INITIAL REVISION:						DOCUMENT NUMBER	
				DRWN: JAMES 1998/01/08						SD-87381-XX6X	
				APPR: SQUEK 1999/04/26						PSD 001 E16	
ANGULAR TOL ± 3.0°				DRAFT WHERE APPLICABLE MUST REMAIN WITHIN DIMENSIONS		THIRD ANGLE PROJECTION		DRAWING		SERIES	
						A3-SIZE		87381		MATERIAL NUMBER	
								SEE CHART		CUSTOMER	
								GENERAL MARKET		SHEET NUMBER	
										4 OF 5	

**BOARD TO BOARD (BTB) DISTANCE**

RECEPTACLE	MATES WITH(HEADER)	BTB DISTANCE	PICTORIAL VIEW
87381	87831	7.01	
	87832	8.21	

THIS DRAWING CONTAINS INFORMATION THAT IS PROPRIETARY TO MOLEX ELECTRONIC TECHNOLOGIES, LLC AND SHOULD NOT BE USED WITHOUT WRITTEN PERMISSION									
DIMENSION UNITS		SCALE		CURRENT REV DESC:				<b>molex</b>	
mm		NTS							
GENERAL TOLERANCES (UNLESS SPECIFIED)				EC NO: 629056				MGRID, TOP ENTRY RECEPT. 4.50MM HT., SMT	
		MM	INCH	DRWN: ABABUPS		2019/10/31			
4 PLACES		±	±	CHK'D: MRAMAKRISHNA		2019/12/12			
3 PLACES		±	±	APPR: MRAMAKRISHNA		2019/12/12			
2 PLACES		± 0.2	±	INITIAL REVISION:				PRODUCT CUSTOMER DRAWING	
1 PLACE		±	±	DRWN: DRWN BY		XXXX/XX/XX		DOCUMENT NUMBER	
0 PLACES		±	±	APPR: APPR BY		XXXX/XX/XX		SD-87381-XX6X	
ANGULAR TOL		± 3.0°		THIRD ANGLE PROJECTION		DRAWING		DOC TYPE	
DRAFT WHERE APPLICABLE MUST REMAIN WITHIN DIMENSIONS						A3-SIZE		PSD	
				SERIES		MATERIAL NUMBER		DOC PART	
				87381				001	
						CUSTOMER		REVISION	
						GENERAL MARKET		E16	
								SHEET NUMBER	
								5 OF 5	