

# High Speed Transistor Optocouplers

Single Channel:

HCPL0453, HCPL0500, HCPL0501

Dual Channel:

HCPL0531, HCPL0534

## HCPL0453, HCPL0500, HCPL0501, HCPL0531, HCPL0534

### Description

The HCPL05XX, and HCPL04XX optocouplers consist of an AlGaAs LED optically coupled to a high speed photo-detector transistor housed in a compact 8-pin small outline package.

A separate connection for the bias of the photodiode improves the speed by several orders of magnitude over conventional phototransistor optocouplers by reducing the base-collector capacitance of the input transistor. The HCPL04XX devices do not have the base bonded out to a lead for additional noise margin. The HCPL053X devices have two channels per package for optimum mounting density.

### Features

- High Speed – 1 MBit/s
- 15 kV/μs Minimum Common Mode Transient Immunity at  $V_{CM} = 1500\text{ V}$  (HCPL0453/0534)
- Open Collector Output
- Guaranteed Performance Over Temperature: 0°C to 70°C
- U.L. Recognized (File # E90700)
- VDE0884 Recognized (File # 136616)
  - ♦ Approval Pending for HCPL0531/0453
  - ♦ Ordering Option V, e.g., HCPL0500V
- BSI Recognized (File # 8661, 8662)
  - ♦ HCPL0500/0501 only

### Applications

- Line Receivers
- Pulse Transformer Replacement
- Output Interface to CMOS–LSTTL–TTL
- Wide Bandwidth Analog Coupling

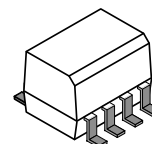
### TRUTH TABLE (Positive Logic)

| LED | $V_O$ |
|-----|-------|
| ON  | LOW   |
| OFF | HIGH  |



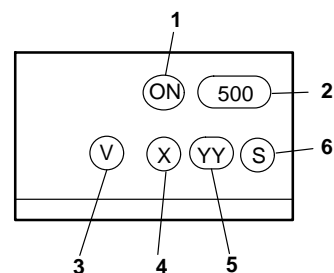
ON Semiconductor®

[www.onsemi.com](http://www.onsemi.com)



SOIC8  
CASE 751DZ

### MARKING DIAGRAM



1. ON = ON Semiconductor Logo
2. 500 = Device Number
3. V = VDE mark indicates DIN EN/IEC60747–5–5 approval (Note: Only appears on parts ordered with VDE option – See Ordering Information Table)
4. X = One-Digit Year Code, e.g. '3'
5. YY = Two Digit Work Week Ranging from '01' to '53'
6. S = Assembly Package Code

### ORDERING INFORMATION

See detailed ordering and shipping information on page 7 of this data sheet.

SCHEMATICS

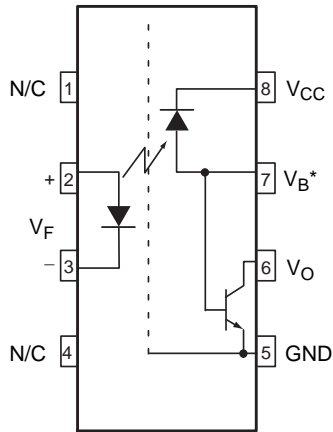


Figure 1. Single-channel Circuit Schematics  
(HCPL0500, HCPL0501  
\*Base Not Connected  
for HCPL0453)

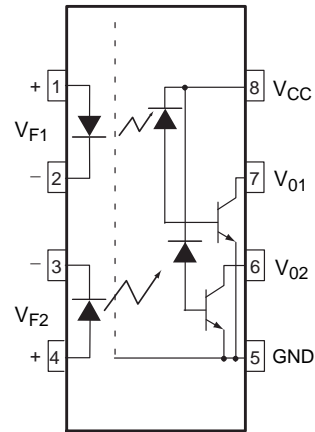


Figure 2. Dual-channel Circuit Schematics  
(HCPL0531, HCPL0534)

ABSOLUTE MAXIMUM RATINGS ( $T_A = 25^\circ\text{C}$  unless otherwise specified)

| Symbol           | Parameter                                    | Value       | Units            |
|------------------|--|-------------|------------------|
| $T_{\text{STG}}$ | Storage Temperature                          | -40 to +125 | $^\circ\text{C}$ |
| $T_{\text{OPR}}$ | Operating Temperature                        | -40 to +85  | $^\circ\text{C}$ |
|                  | Reflow Temperature Profile (Refer to page 7) |             |                  |

EMITTER

|               |  |     |    |
|---------------|--|-----|----|
| $I_F$ (avg)   | DC/Average Forward Input Current                                     | 25  | mA |
| $I_F$ (pk)    | Peak Forward Input Current (50% duty cycle, 1 ms P.W.)               | 50  | mA |
| $I_F$ (trans) | Peak Transient Input Current ( $t \leq 1 \mu\text{s}$ P.W., 300 pps) | 1.0 | A  |
| $V_R$         | Reverse Input Voltage  | 5.0 | V  |
| $P_D$         | Input Power Dissipation  | 45  | mW |

DETECTOR

|                  |   |            |    |
|------------------|---|------------|----|
| $I_O$ (avg)      | Average Output Current (Pin 6)                    | 8          | mA |
| $I_O$ (pk)       | Peak Output Current                               | 16         | mA |
| $V_{\text{EBR}}$ | Emitter-Base Reverse Voltage (HCPL0500/0501 only) | 5          | V  |
| $V_{\text{CC}}$  | Supply Voltage                                    | -0.5 to 30 | V  |
| $V_O$            | Output Voltage                                    | -0.5 to 20 | V  |
| $I_B$            | Base Current (HCPL0500/0501 only)                 | 5          | mA |
| $P_D$            | Output Power Dissipation                          | 100        | mW |

Stresses exceeding those listed in the Maximum Ratings table may damage the device. If any of these limits are exceeded, device functionality should not be assumed, damage may occur and reliability may be affected.

# HCPL0453, HCPL0500, HCPL0501, HCPL0531, HCPL0534

## ELECTRICAL CHARACTERISTICS (T<sub>A</sub> = 0°C to 70°C unless otherwise specified)

### INDIVIDUAL COMPONENT CHARACTERISTICS

| Symbol                            | Parameter                                  | Test Conditions                               | Device | Min. | Typ.* | Max. | Unit  |
|-----------------------------------|--|---|--------|------|-------|------|-------|
| <b>EMITTER</b>                    |  |   |        |      |       |      |       |
| V <sub>F</sub>                    | Input Forward Voltage                      | I <sub>F</sub> = 16 mA, T <sub>A</sub> = 25°C | All    |      | 1.45  | 1.7  | V     |
|                                   |  | I <sub>F</sub> = 16 mA                        |        |      |       | 1.8  |       |
| BV <sub>R</sub>                   | Input Reverse Breakdown Voltage            | I <sub>R</sub> = 10 μA                        | All    | 5.0  |       |      | V     |
| ΔV <sub>F</sub> / ΔT <sub>A</sub> | Temperature Coefficient of Forward Voltage | I <sub>F</sub> = 16 mA                        | All    |      | -1.6  |      | mV/°C |

### DETECTOR

|                  |                           |   |                  |  |       |     |    |
|------------------|---------------------------|---|------------------|--|-------|-----|----|
| I <sub>OH</sub>  | Logic High Output Current | I <sub>F</sub> = 0 mA, V <sub>O</sub> = V <sub>CC</sub> = 5.5 V, T <sub>A</sub> = 25°C      | All              |  | 0.001 | 0.5 | μA |
|                  |                           | I <sub>F</sub> = 0 mA, V <sub>O</sub> = V <sub>CC</sub> = 15 V, T <sub>A</sub> = 25°C       | All              |  | 0.005 | 1   |    |
|                  |                           | I <sub>F</sub> = 0 mA, V <sub>O</sub> = V <sub>CC</sub> = 15 V                              | All              |  |       | 50  |    |
| I <sub>CCL</sub> | Logic Low Supply Current  | I <sub>F</sub> = 16 mA, V <sub>O</sub> = Open, V <sub>CC</sub> = 15 V                       | HCPL0453/ 0500/1 |  | 120   | 200 | μA |
|                  |                           |   | HCPL0531/4       |  |       | 400 |    |
| I <sub>CCH</sub> | Logic High Supply Current | I <sub>F</sub> = 0 mA, V <sub>O</sub> = Open, V <sub>CC</sub> = 15 V, T <sub>A</sub> = 25°C | All              |  | 0.01  | 1   | μA |
|                  |                           |   | HCPL0453/ 0500/1 |  |       | 2   |    |
|                  |                           |   | HCPL0531/4       |  |       | 4   |    |

### TRANSFER CHARACTERISTICS

| Symbol          | Parameter                       | Test Conditions   | Device        | Min. | Typ.* | Max. | Unit |
|-----------------|---------------------------------|---|---------------|------|-------|------|------|
| <b>COUPLED</b>  |                                 |   |               |      |       |      |      |
| CTR             | Current Transfer Ratio (Note 1) | I <sub>F</sub> = 16 mA, V <sub>O</sub> = 0.4 V, V <sub>CC</sub> = 4.5 V, T <sub>A</sub> = 25°C  | HCPL0500      | 7    | 27    | 50   | %    |
|                 |                                 |   | HCPL0453      | 19   | 27    | 50   |      |
|                 |                                 |   | HCPL0501/0531 |      |       |      |      |
|                 |                                 | I <sub>F</sub> = 16 mA, V <sub>O</sub> = 0.5 V, V <sub>CC</sub> = 4.5 V                         | HCPL0500      | 5    | 30    |      |      |
|                 |                                 |   | HCPL0453      | 15   | 30    |      |      |
|                 |                                 |   | HCPL0501/0534 |      |       |      |      |
| V <sub>OL</sub> | Logic Low Output Voltage        | I <sub>F</sub> = 16 mA, I <sub>O</sub> = 1.1 mA, V <sub>CC</sub> = 4.5 V, T <sub>A</sub> = 25°C | HCPL0500      |      | 0.18  | 0.4  | V    |
|                 |                                 |   | HCPL0453      |      | 0.25  | 0.4  |      |
|                 |                                 | HCPL0501/0531/4   |               |      |       |      |      |
|                 |                                 | I <sub>F</sub> = 16 mA, I <sub>O</sub> = 0.8 mA, V <sub>CC</sub> = 4.5 V                        | HCPL0500      |      | 0.13  | 0.5  |      |
|                 |                                 |   | HCPL0453      |      | 0.23  | 0.5  |      |
|                 |                                 | HCPL0501/0531/4   |               |      |       |      |      |

\*All typicals at T<sub>A</sub> = 25°C

# HCPL0453, HCPL0500, HCPL0501, HCPL0531, HCPL0534

## ELECTRICAL CHARACTERISTICS (CONTINUED) ( $T_A = 0^\circ\text{C}$ to $70^\circ\text{C}$ unless otherwise specified)

### SWITCHING CHARACTERISTICS ( $V_{CC} = 5\text{ V}$ )

| Symbol    | Parameter  | Test Conditions   | Device          | Min.   | Typ.*  | Max. | Unit                   |
|-----------|--|---|-----------------|--------|--------|------|------------------------|
| $T_{PHL}$ | Propagation Delay<br>Time to Logic LOW             | $T_A = 25^\circ\text{C}$ , $R_L = 4.1\text{ k}\Omega$ , $I_F = 16\text{ mA}$<br>(Note 2) (Fig. 9)                                   | HCPL0500        |        | 0.45   | 1.5  | $\mu\text{s}$          |
|           |  | $R_L = 1.9\text{ k}\Omega$ , $I_F = 16\text{ mA}$ , $T_A = 25^\circ\text{C}$<br>(Note 3) (Fig. 9)                                   | HCPL0453        |        | 0.45   | 0.8  |                        |
|           |  |   | HCPL0501/0531/4 |        |        |      |                        |
|           |  | $R_L = 4.1\text{ k}\Omega$ , $I_F = 16\text{ mA}$<br>(Note 2) (Fig. 9)  | HCPL0500        |        |        | 2.0  |                        |
| $T_{PLH}$ | Propagation Delay<br>Time to Logic<br>HIGH         | $T_A = 25^\circ\text{C}$ , $R_L = 4.1\text{ k}\Omega$ , $I_F = 16\text{ mA}$<br>(Note 2) (Fig. 9)                                   | HCPL0500        |        | 0.5    | 1.5  | $\mu\text{s}$          |
|           |  | $R_L = 1.9\text{ k}\Omega$ , $I_F = 16\text{ mA}$ , $T_A = 25^\circ\text{C}$<br>(Note 3) (Fig. 9)                                   | HCPL0453        |        | 0.3    | 0.8  |                        |
|           |  |   | HCPL0501/0531/4 |        |        |      |                        |
|           |  | $R_L = 4.1\text{ k}\Omega$ , $I_F = 16\text{ mA}$<br>(Note 2) (Fig. 9)  | HCPL0500        |        |        | 2.0  |                        |
| $ CM_H $  | Common Mode<br>Transient Immunity<br>at Logic HIGH | $I_F = 0\text{ mA}$ , $V_{CM} = 10\text{ V}_{P-P}$ , $R_L = 4.1\text{ k}\Omega$ ,<br>$T_A = 25^\circ\text{C}$ (Note 4) (Fig. 10)    | HCPL0500        | 1,000  | 10,000 |      | $\text{V}/\mu\text{s}$ |
|           |  | $I_F = 0\text{ mA}$ , $V_{CM} = 10\text{ V}_{P-P}$ , $R_L = 1.9\text{ k}\Omega$ ,<br>$T_A = 25^\circ\text{C}$ (Note 4) (Fig. 10)    | HCPL0501/31     | 1,000  | 10,000 |      |                        |
|           |  |   | HCPL0534        | 15,000 | 40,000 |      |                        |
|           |  | $I_F = 0\text{ mA}$ , $V_{CM} = 1500\text{ V}_{P-P}$ , $R_L = 1.9\text{ k}\Omega$ ,<br>$T_A = 25^\circ\text{C}$ (Note 4) (Fig. 10)  | HCPL0453        | 15,000 | 40,000 |      |                        |
| $ CM_L $  | Common Mode<br>Transient Immunity<br>at Logic LOW  | $I_F = 16\text{ mA}$ , $V_{CM} = 10\text{ V}_{P-P}$ , $R_L = 4.1\text{ k}\Omega$ ,<br>$T_A = 25^\circ\text{C}$ (Note 4) (Fig. 10)   | HCPL0500        | 1,000  | 10,000 |      | $\text{V}/\mu\text{s}$ |
|           |  | $I_F = 16\text{ mA}$ , $V_{CM} = 10\text{ V}_{P-P}$ , $R_L = 1.9\text{ k}\Omega$<br>(Note 4) (Fig. 10)                              | HCPL0501/31     | 1,000  | 10,000 |      |                        |
|           |  |   | HCPL0534        | 15,000 | 40,000 |      |                        |
|           |  | $I_F = 16\text{ mA}$ , $T_A = 25^\circ\text{C}$ , $V_{CM} = 1500\text{ V}_{P-P}$ ,<br>$R_L = 1.9\text{ k}\Omega$ (Note 4) (Fig. 10) | HCPL0453        | 15,000 | 40,000 |      |                        |

### ISOLATION CHARACTERISTICS

| Symbol    | Characteristics                | Test Conditions   | Min.      | Typ.* | Max. | Unit                      |
|-----------|--------------------------------|---|-----------|-------|------|---------------------------|
| $V_{ISO}$ | Input-Output Isolation Voltage | $f = 60\text{ Hz}$ , $t = 1.0\text{ min.}$ , $I_{I-O} \leq 2\text{ }\mu\text{A}$ (Notes 5, 6) | 2500      |       |      | $\text{V}_{AC\text{RMS}}$ |
| $R_{ISO}$ | Isolation Resistance           | $V_{I-O} = 500\text{ V}$ (Note 5)   | $10^{11}$ |       |      |                           |
| $C_{ISO}$ | Isolation Capacitance          | $V_{I-O} = 0\text{ V}$ , $f = 1.0\text{ MHz}$ (Note 5)  |           | 0.2   |      | $\text{pF}$               |

Product parametric performance is indicated in the Electrical Characteristics for the listed test conditions, unless otherwise noted. Product performance may not be indicated by the Electrical Characteristics if operated under different conditions.

\*All typicals at  $T_A = 25^\circ\text{C}$

- Current Transfer Ratio is designed as a ratio of output collector current,  $I_O$ , to the forward LED input current,  $I_F$ , times 100%.
- The  $4.1\text{ k}\Omega$  load represents 1 LSTTL unit load of  $0.36\text{ mA}$  and  $6.1\text{ k}\Omega$  pull-up resistor.
- The  $1.9\text{ k}\Omega$  load represents 1 TTL unit load of  $1.6\text{ mA}$  and  $5.6\text{ k}\Omega$  pull-up resistor.
- Common mode transient immunity in logic high level is the maximum tolerable (positive)  $dV_{cm}/dt$  on the leading edge of the common mode pulse signal  $V_{CM}$ , to assure that the output will remain in a logic high state (i.e.,  $V_O > 2.0\text{ V}$ ). Common mode transient immunity in logic low level is the maximum tolerable (negative)  $dV_{cm}/dt$  on the trailing edge of the common mode pulse signal,  $V_{CM}$ , to assure that the output will remain in a logic low state (i.e.,  $V_O < 0.8\text{ V}$ ).
- Device is considered a two terminal device: Pins 1, 2, 3 and 4 are shorted together and Pins 5, 6, 7 and 8 are shorted together.
- 2500 VAC RMS for 1 minute duration is equivalent to 3000 VAC RMS for 1 second duration.

TYPICAL PERFORMANCE CURVES

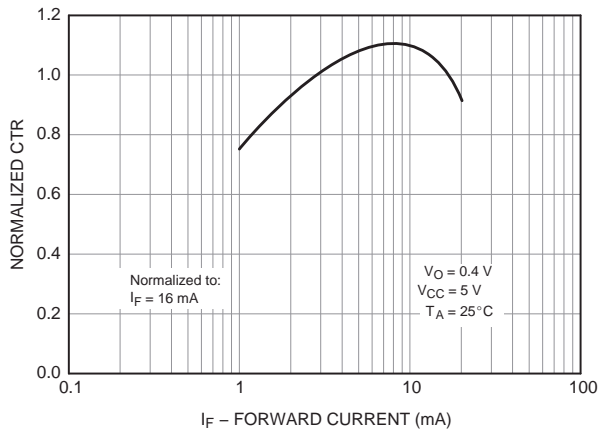


Figure 3. Normalized CTR vs. Forward Current

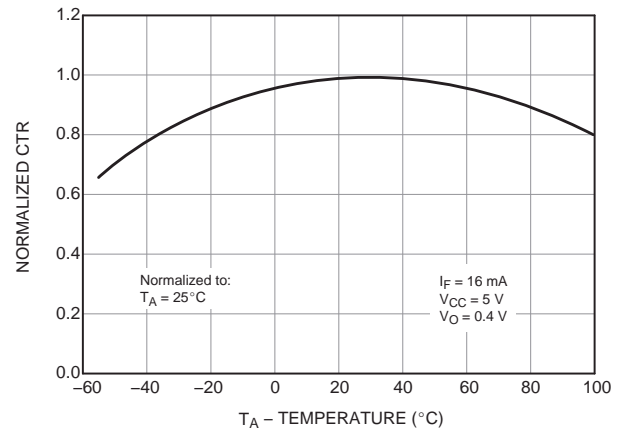


Figure 4. Normalized CTR vs. Temperature

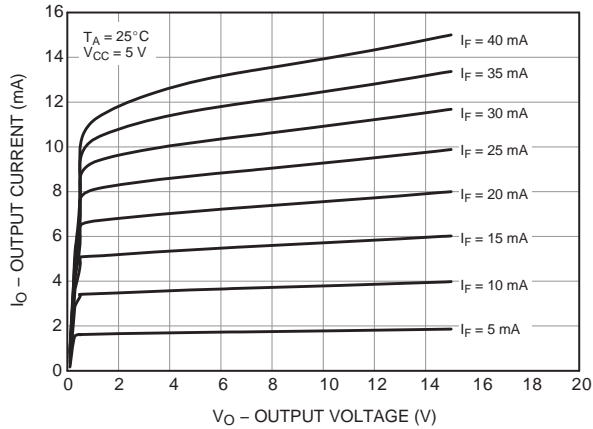


Figure 5. Output Current vs. Output Voltage

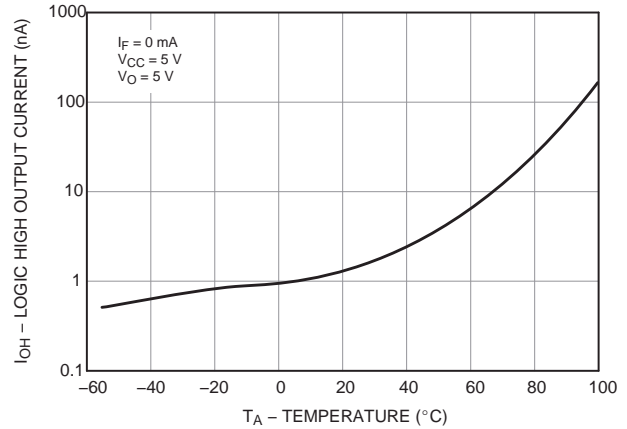


Figure 6. Logic High Output Current vs. Temperature

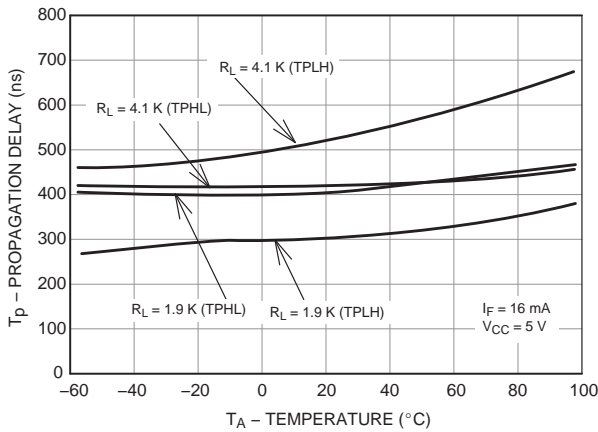


Figure 7. Propagation Delay vs. Temperature

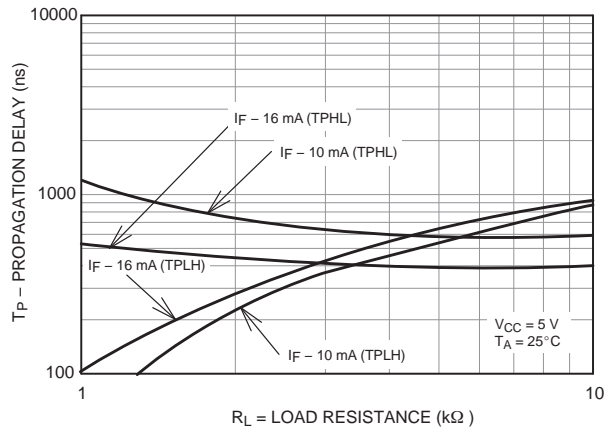
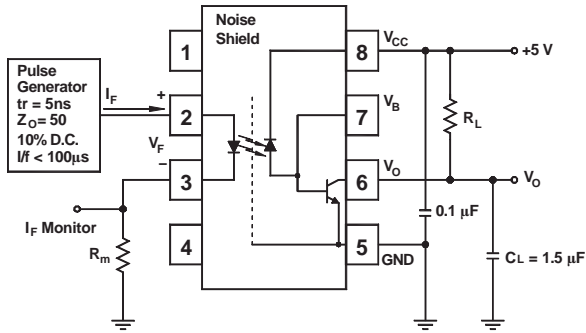
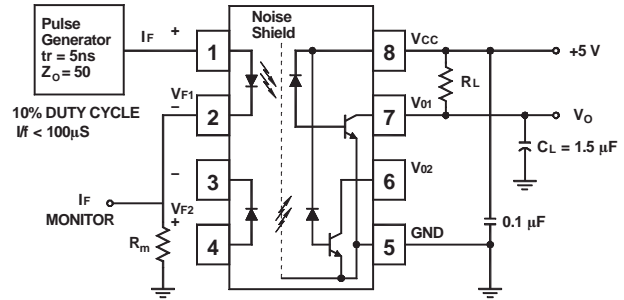


Figure 8. Propagation Delay vs. Load Resistance

# HCPL0453, HCPL0500, HCPL0501, HCPL0531, HCPL0534



Test Circuit for HCPL0453, HCPL0500 and HCPL0501



Test Circuit for HCPL0531 and HCPL0534

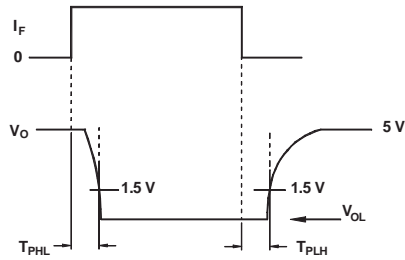
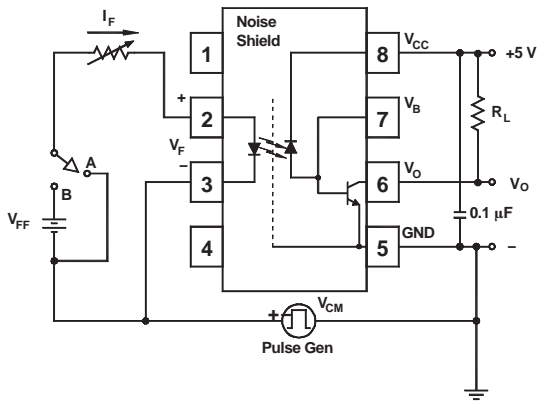
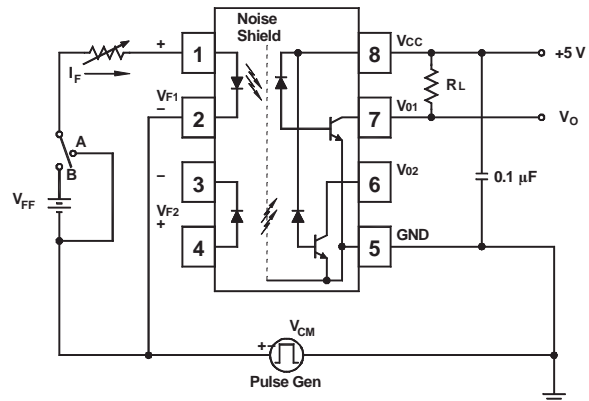


Figure 9. Switching Time Test Circuit



Test Circuit for HCPL0453, HCPL0500 and HCPL0501



Test Circuit for HCPL0531 and HCPL0534

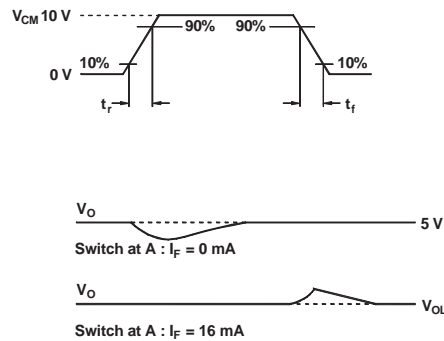


Figure 10. Common Mode Immunity Test Circuit

# HCPL0453, HCPL0500, HCPL0501, HCPL0531, HCPL0534

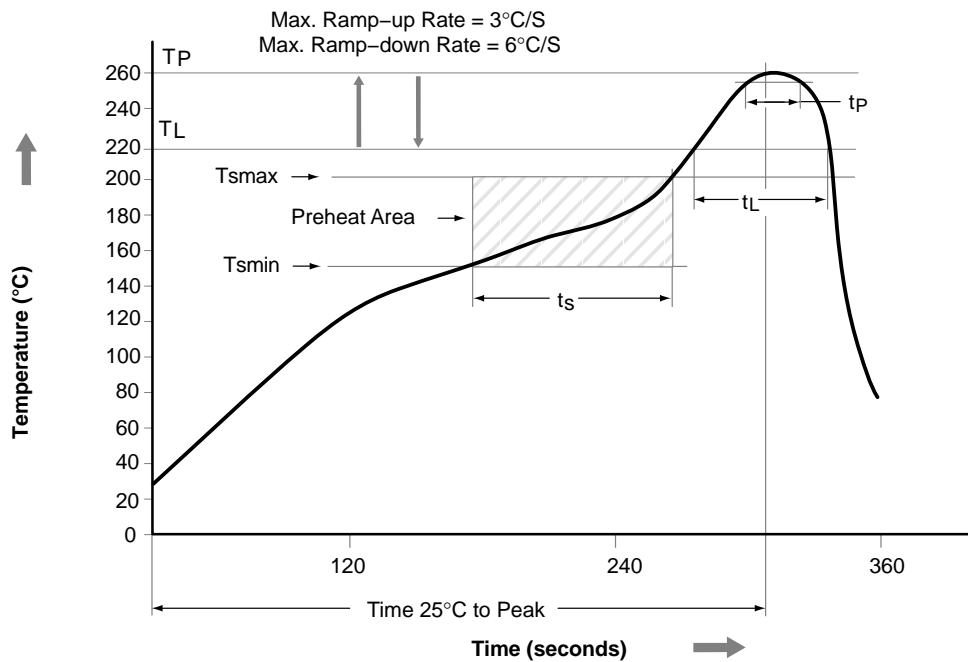
## ORDERING INFORMATION

| Part Nr./ Option (Note 7) | Order Entry Identifier | Package | Description  | Packing Method†            |
|---------------------------|------------------------|---------|--|----------------------------|
| HCPL0xxxV                 | V                      | SOIC8   | VDE 0884<br>(approval pending for HCPL0531 & HCPL0534) | Tube (3000 Units)          |
| HCPL0xxxR2                | R2                     | SOIC8   |  | Tape and Reel (2500 Units) |
| HCPL0xxxR2V               | R2V                    | SOIC8   | VDE 0884<br>(approval pending for HCPL0531 & HCPL0534) | Tape and Reel (2500 Units) |

†For information on tape and reel specifications, including part orientation and tape sizes, please refer to our Tape and Reel Packaging Specifications Brochure, BRD8011/D.

7. The product orderable part number system listed in this table also applies to the HCPL0453, HCPL0500, HCPL0501, HCPL0531 and HCPL0534 product.

## REFLOW PROFILE



| Profile Feature                  | Pb-Free Assembly Profile |
|----------------------------------|--------------------------|
| Temperature Min. (T Amin)        | 150°C                    |
| Temperature Max. (Tsmax)         | 200°C                    |
| Time (ts) from (T Amin to Tsmax) | 60–120 seconds           |
| Ramp-up Rate (tL to tp)          | 3°C/second max.          |
| Liquidous Temperature (TL)       | 217°C                    |
| Time (tL) Maintained Above (TL)  | 60–150 seconds           |
| Peak Body Package Temperature    | 260°C +0°C / -5°C        |
| Time (tp) within 5°C of 260°C    | 30 seconds               |
| Ramp-down Rate (TP to TL)        | 6°C/second max.          |
| Time 25°C to Peak Temperature    | 8 minutes max.           |

# MECHANICAL CASE OUTLINE

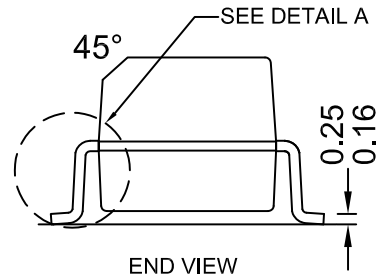
## PACKAGE DIMENSIONS

ON Semiconductor®



**SOIC8**  
CASE 751DZ  
ISSUE O

DATE 30 SEP 2016



**NOTES:**

- A) NO STANDARD APPLIES TO THIS PACKAGE
- B) ALL DIMENSIONS ARE IN MILLIMETERS.
- C) DIMENSIONS DO NOT INCLUDE MOLD FLASH OR BURRS.
- D) LANDPATTERN STANDARD: SOIC127P600X175-8M.



|                         |                    |  |
|-------------------------|--------------------|--|
| <b>DOCUMENT NUMBER:</b> | <b>98AON13733G</b> | Electronic versions are uncontrolled except when accessed directly from the Document Repository. Printed versions are uncontrolled except when stamped "CONTROLLED COPY" in red. |
| <b>DESCRIPTION:</b>     | <b>SOIC8</b>       | <b>PAGE 1 OF 1</b>   |

ON Semiconductor and are trademarks of Semiconductor Components Industries, LLC dba ON Semiconductor or its subsidiaries in the United States and/or other countries. ON Semiconductor reserves the right to make changes without further notice to any products herein. ON Semiconductor makes no warranty, representation or guarantee regarding the suitability of its products for any particular purpose, nor does ON Semiconductor assume any liability arising out of the application or use of any product or circuit, and specifically disclaims any and all liability, including without limitation special, consequential or incidental damages. ON Semiconductor does not convey any license under its patent rights nor the rights of others.



**onsemi**, **Onsemi**, and other names, marks, and brands are registered and/or common law trademarks of Semiconductor Components Industries, LLC dba "**onsemi**" or its affiliates and/or subsidiaries in the United States and/or other countries. **onsemi** owns the rights to a number of patents, trademarks, copyrights, trade secrets, and other intellectual property. A listing of **onsemi**'s product/patent coverage may be accessed at [www.onsemi.com/site/pdf/Patent-Marking.pdf](http://www.onsemi.com/site/pdf/Patent-Marking.pdf). **onsemi** reserves the right to make changes at any time to any products or information herein, without notice. The information herein is provided "as-is" and **onsemi** makes no warranty, representation or guarantee regarding the accuracy of the information, product features, availability, functionality, or suitability of its products for any particular purpose, nor does **onsemi** assume any liability arising out of the application or use of any product or circuit, and specifically disclaims any and all liability, including without limitation special, consequential or incidental damages. Buyer is responsible for its products and applications using **onsemi** products, including compliance with all laws, regulations and safety requirements or standards, regardless of any support or applications information provided by **onsemi**. "Typical" parameters which may be provided in **onsemi** data sheets and/or specifications can and do vary in different applications and actual performance may vary over time. All operating parameters, including "Typicals" must be validated for each customer application by customer's technical experts. **onsemi** does not convey any license under any of its intellectual property rights nor the rights of others. **onsemi** products are not designed, intended, or authorized for use as a critical component in life support systems or any FDA Class 3 medical devices or medical devices with a same or similar classification in a foreign jurisdiction or any devices intended for implantation in the human body. Should Buyer purchase or use **onsemi** products for any such unintended or unauthorized application, Buyer shall indemnify and hold **onsemi** and its officers, employees, subsidiaries, affiliates, and distributors harmless against all claims, costs, damages, and expenses, and reasonable attorney fees arising out of, directly or indirectly, any claim of personal injury or death associated with such unintended or unauthorized use, even if such claim alleges that **onsemi** was negligent regarding the design or manufacture of the part. **onsemi** is an Equal Opportunity/Affirmative Action Employer. This literature is subject to all applicable copyright laws and is not for resale in any manner.

## PUBLICATION ORDERING INFORMATION

### LITERATURE FULFILLMENT:

Email Requests to: [orderlit@onsemi.com](mailto:orderlit@onsemi.com)

**onsemi Website:** [www.onsemi.com](http://www.onsemi.com)

### TECHNICAL SUPPORT

**North American Technical Support:**

Voice Mail: 1 800-282-9855 Toll Free USA/Canada

Phone: 011 421 33 790 2910

**Europe, Middle East and Africa Technical Support:**

Phone: 00421 33 790 2910

For additional information, please contact your local Sales Representative