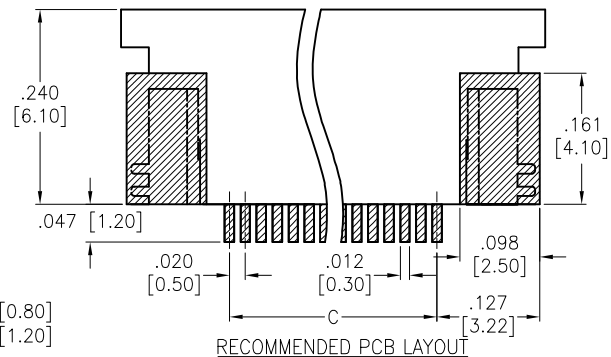
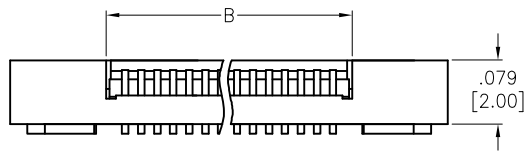


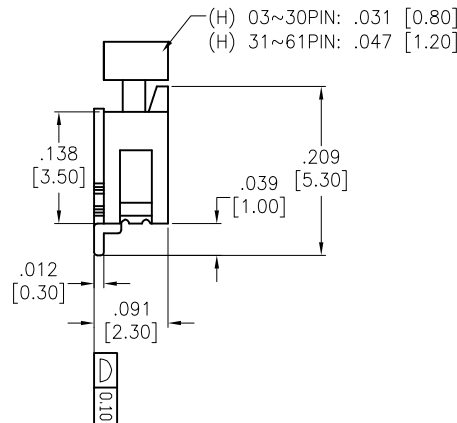
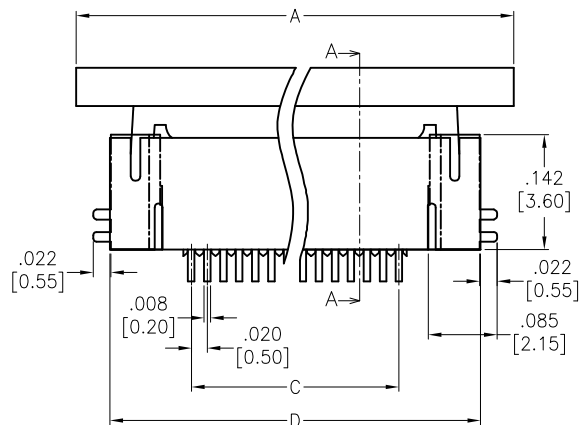
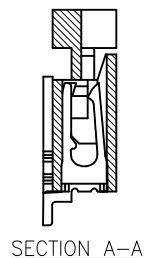
APPROVED: _____
 DATE: _____ TITLE: _____

Rev	AWO #	Description	Date	Appr
-		RELEASED	3/16/15	

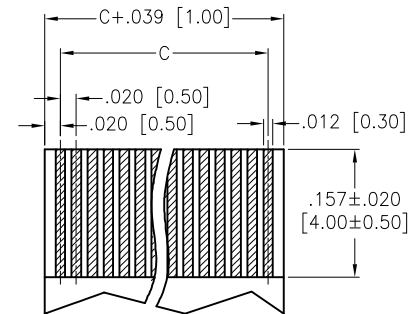
D



C



RECOMMENDED PCB LAYOUT



FPC/FFC T=0.30±0.03mm

B

SPECIFICATIONS:

Material:
 Insulator: Hi-temp thermoplastic, rated UL 94V-0
 Insulator color: Natural
 Actuator: Hi-temp thermoplastic, rated UL 94V-0, Color: Black
 Contacts: Phosphor Bronze
 Holddown: Brass, Tin plated
 Plating:
 Tin over Nickel underplate overall
 Electrical:
 Current rating: 0.5 Amps max
 Contact resistance: 30 mohms max
 Insulation resistance: 100 Mohms min
 Dielectric withstanding voltage: 250V AC for 1 minute
 Temperature Rating:
 Operating temperature: -25°C to +85°C
 Environmental:
 Lead free, RoHS compliant



Positions: 03 thru 61

A= .020 [0.50] x No. of Spaces +.283 [7.20]
 B= .020 [0.50] x No. of Spaces + .043 [1.10]
 C= .020 [0.50] x No. of Spaces
 D= .020 [0.50] x No. of Spaces + .201 [5.10]

UNLESS OTHERWISE SPECIFIED ALL DIMENSIONS ARE INCHES [MM] TOLERANCES: EXCEPT AS NOTED			
INCHES		HOLES	
.X	± .10	Ø.X	±.10
.XX	± .020	Ø.XX	±.015
.XXX	± .015	Ø.XXX	±.010

ADAM TECH

909 Rahway Avenue, Union, NJ 07083
 Phone: 908-687-5000 Fax: 908-687-5710

TITLE: ZIF FLEX CIRCUIT CONNECTOR, SMT TYPE
 SIDE ENTRY, UPPER CONTACT

APPROVALS		DATE
DRAWN	AY	3/16/15
CHECKED	GC	3/16/15
APPROVED		

SIZE	PART NO.	REV.
X	PCA-6-LA-XX-HU-3	-
REF:	S00165C	SCALE: NTS
		SHEET 1 OF 1

6

5

4

3

2

1

A