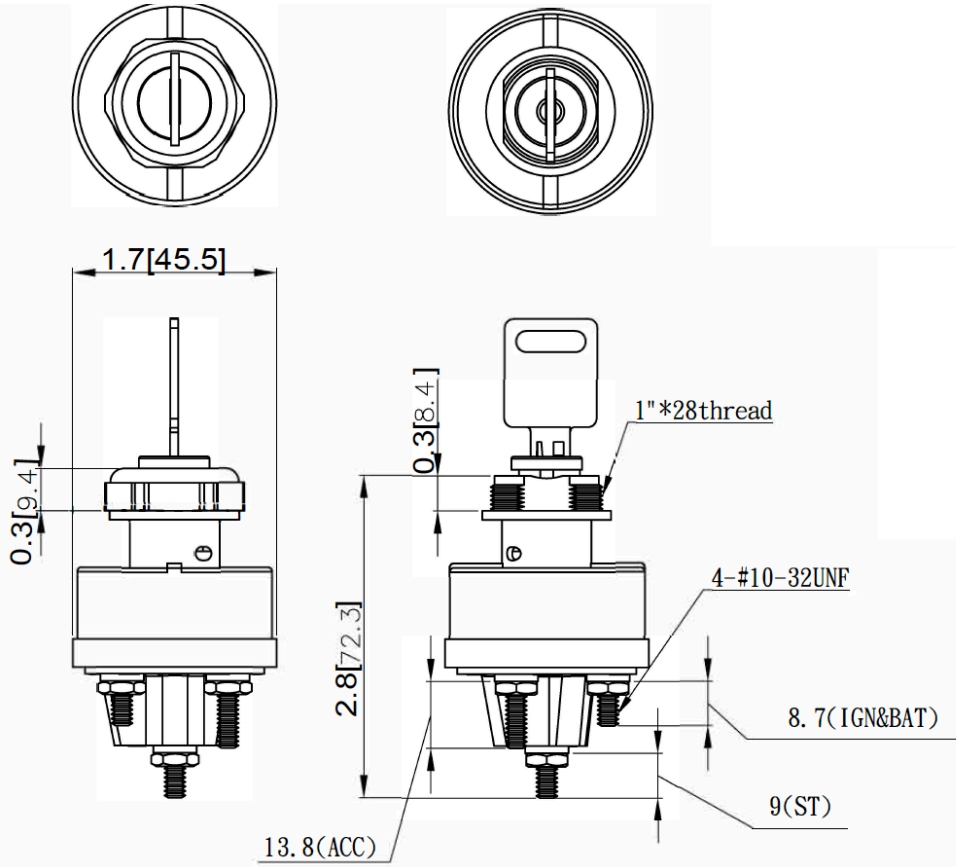
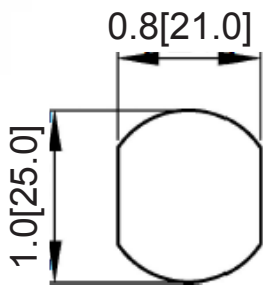


**Mechanical Dimensions: Inches [mm]**

Tolerances  $\pm 0.012$  [0.5] Unless Otherwise Specified

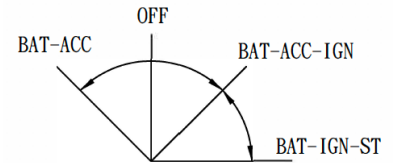


**Mounting Hole**



**Circuit Diagram**

**4 Positions**



**Electrical Specifications**

<b>Continuous Rating</b>	30A 12VDC
<b>IGN Terminal Rating</b>	8A 14VDC
<b>ACC Terminal</b>	30A 14VDC
<b>Start</b>	75A Make, 20A Break 14VDC

**Material Specifications**

Zinc diecast construction
Copper terminals
2 Brass keys

Rev	Date of issue	Revision Notes	Designed	Approved
A	11-12-2019	Initial Drawing	RC	OF