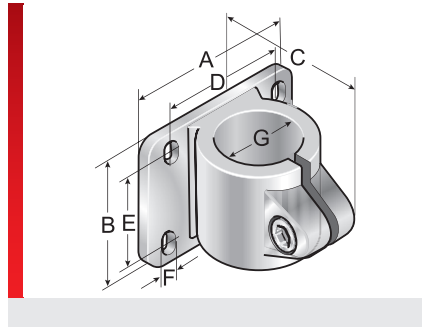


## Pipe clamp



### PRODUCT INFORMATION

The R-FKM and R-FKE pipe clamps facilitate connecting R-SSR tension clamps with other components. Clamping on the entire pipe circumference. With hub flange for pivot bearings and base plate.

The R-FKM pipe clamps need the R-FKG base plate for fixing a system holder.

The Type R-FKE pipe clamp does not need the additional base plate; the system holder can be attached directly.

### SPECIFICATIONS

Aluminium

| Type                   | Order No. | Colour         | A<br>mm | B<br>mm | C<br>mm | D<br>Angle ° | E<br>mm | F<br>mm | G<br>mm | Pack<br>qty. |
|------------------------|-----------|----------------|---------|---------|---------|--------------|---------|---------|---------|--------------|
| R-FKE 32               | 83952614  | Anodised black | 60.00   | 60.00   | 93.00   |              |         |         | 32.00   | 1            |
| R-FKM 32 <sup>1)</sup> | 83952610  | Silver         | 110.00  | 80.00   | 85.00   | 80.00        | 58.00   | 10.00   | 32.00   | 1            |
| R-FKM 40 <sup>1)</sup> | 83952612  | Silver         | 110.00  | 80.00   | 85.00   | 80.00        | 58.00   | 10.00   | 40.00   | 1            |

<sup>1)</sup> Adapter plate R-FKG is needed for the installation of a system holder.

Aluminium

### CONFORMITY

**RoHS (EC Directive 202/95/EC)**

### APPROVALS AND OPERATING PERMITS

**ROBI approval**

**Made in Germany**

## Pipe clamp

---

All details given in our sales material prospectuses and catalogues as well as the information available online are based on our current knowledge of the products described.

The electronic data and files made available by Murrplastik, particularly CAD files are based on our current knowledge of the product described.

A legally binding assurance of certain properties or the suitability for a certain purpose can not be determined from this information.

All information with respect to the chemical and physical properties of Murrplastik products as well as application advice given verbally, in writing or by tests, is given to the best of our knowledge.

This does not free the purchaser of carrying out their own inspections and tests in order to determine the suitability of a product for a specific purpose.

Murrplastik accepts no responsibility for the available information being up-to-date, correct or complete. Neither do we accept responsibility for the quality of this information.

Murrplastik accepts no liability for damage caused as a result of using our products.

Murrplastik reserves the right to make technical changes and improvements through constant further development of products and services.

Our General Terms and Conditions apply.

© Murrplastik Systemtechnik GmbH • proID\_96648~20171001~890283~aur\_fkm