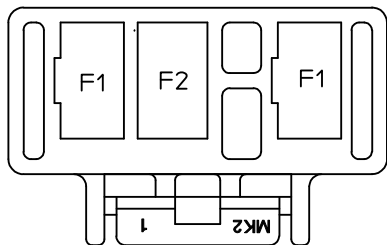
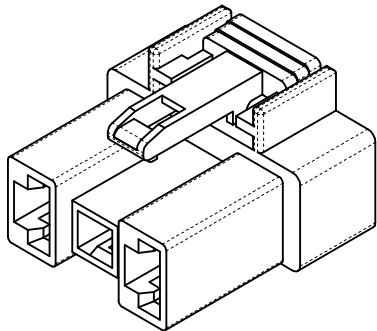
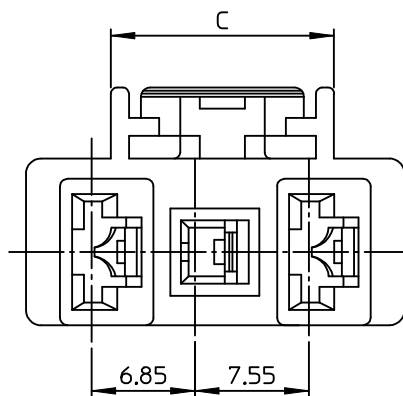
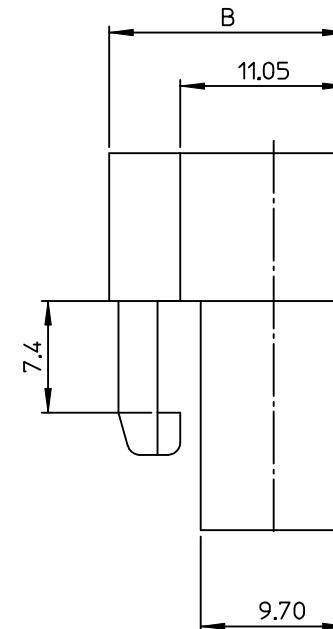
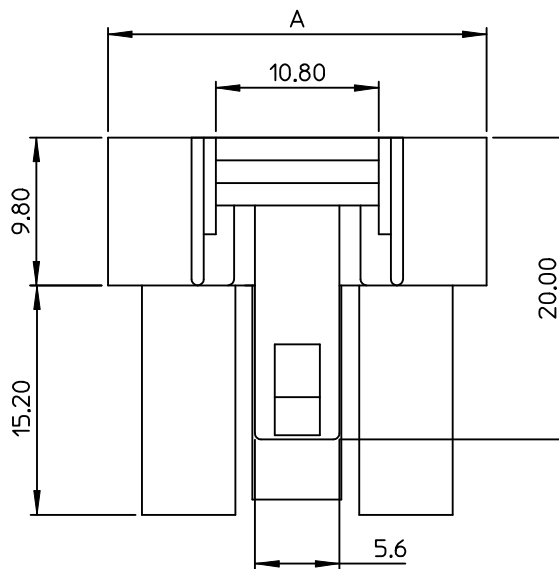


10 9 8 7 6 5 4 3 2 1



F1 TERMINAL : 35725-5*10
F2 TERMINAL : 35766-0*10

TERMINAL PATTERN



[TABLE] (A1)

MATERIAL NO.	DIMENSION			MATERIAL
	A	B	C	
355470300	25.10	15.75	14.80	POLYESTER
355470309	25.40	16.00	15.10	PET/PC

NOTES

1. MATERIAL :
① 35547-0300 : POLYESTER(PBT), NO GLASS FILLED, UL94V-0
COLOR : NATURAL

(A1) ② 35547-0309 : PET/PC, NO GLASS FILLED, UL94V-0
COLOR : NATURAL

2. PRODUCT SPECIFICAION : PS-35546-001

3. PACKING SPECIFICAION : PK-35547-001

4. MATED HOUSING : 35546-070*

5. APPLICABLE TERMINAL : 35725-5*10
35766-0*10

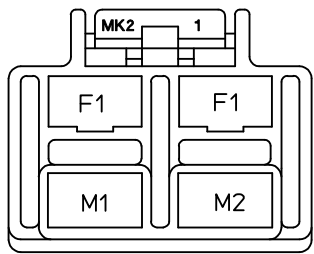
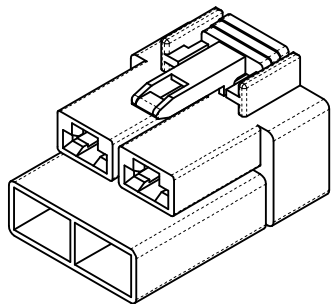
PRELIMINARY REVISED EC NO: KOR2013-0051 DRWN:JSSHIN 2012/12/20 CHKD:SHCHU 2012/12/20 APPR:YSK1M02 2012/12/27	QUALITY SYMBOLS	GENERAL TOLERANCES (UNLESS SPECIFIED)	DIMENSION STYLE	SCALE	DESIGN UNITS	THIRD ANGLE PROJECTION	
	▽=0 ∇=0	mm INCH	MM ONLY	4:1	METRIC		
		4 PLACES ± --- ± --- 3 PLACES ± --- ± --- 2 PLACES ± 0.30 ± --- 1 PLACE ± 0.30 ± --- 0 PLACE ± ±	DRAWN BY DATE WY.YANG 1997/11/12	TITLE .250 MULTI W-T-W CONN. PLUG HOUSING -3P			
		ANGULAR ± 3 °	CHECKED BY DATE BK.CH01 1997/11/12	DOCUMENT NO. SD-35547-001			

DESCRIPTION	MATERIAL NO.	SHEET NO.
	SEE TABLE	1 OF 1
DRAFT WHERE APPLICABLE MUST REMAIN WITHIN DIMENSIONS	THIS DRAWING CONTAINS INFORMATION THAT IS PROPRIETARY TO MOLEX INCORPORATED AND SHOULD NOT BE USED WITHOUT WRITTEN PERMISSION	

APPROVED BY DATE CW.LEE 1997/11/12	DRAWN BY DATE WY.YANG 1997/11/12	
SIZE A3	MATERIAL NO. SEE TABLE	

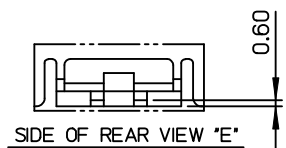
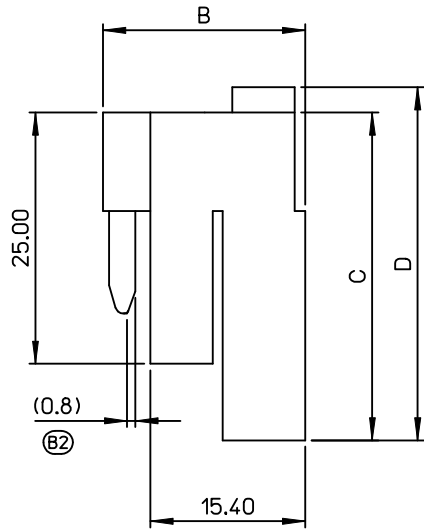
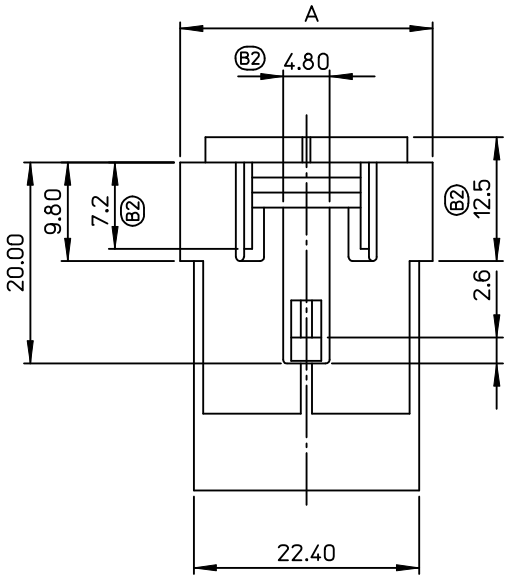
APPROVED BY DATE CW.LEE 1997/11/12	DRAWN BY DATE WY.YANG 1997/11/12	
SIZE A3	MATERIAL NO. SEE TABLE	

9 8 7 6 5 4 3 2 1



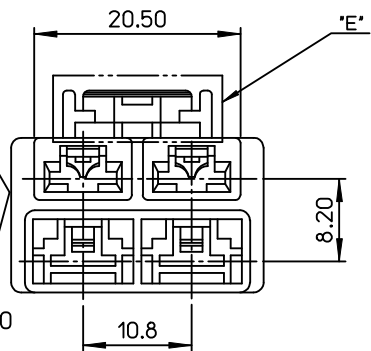
F1 TERMINAL : 35725-5*10
 M1 TERMINAL : 35453-9*02
 M2 TERMINAL : 35452-9*02
 F = FEMALE TERMINAL
 M = MALE TERMINAL

TERMINAL PATTERN



SIDE OF REAR VIEW 'E'

PRE-RELEASE
 REFERENCE
 USE ONLY



NOTES

1. MATERIAL :

- ① 35547-0400 : POLYESTER(PBT), NO GLASS FILLED, UL94V-0
 COLOR : NATURAL
- ② 35547-0409 : PET/PC, NO GLASS FILLED, UL94V-0
 COLOR : NATURAL

- 2. PRODUCT SPECIFICATION : PS-35546-001
- 3. PACKING SPECIFICATION : PK-35547-001
- 4. MATED HOUSING : 35546-070*
- 5. APPLICABLE TERMINAL : 35725-5*10
 35452-9*02
 35453-9*02

[TABLE] B2

MATERIAL NO.	DIMENSION				MATERIAL
	A	B	C	D	
355470400	25.10	20.10	32.60	35.10	POLYESTER
355470409	25.40	20.50	32.90	35.40	PET/PC

RELEASED EC NO: KOR2013-0051 DRWN: JSSHIN CHKD: SHCHU APPR: YSKIM02 2012/12/20 2012/12/20 2012/12/27	DESCRIPTION REV	QUALITY SYMBOLS	GENERAL TOLERANCES (UNLESS SPECIFIED)	DIMENSION STYLE	SCALE	DESIGN UNITS	THIRD ANGLE PROJECTION	
		▼=0 ▽=0	mm INCH 4 PLACES ± --- ± --- 3 PLACES ± --- ± --- 2 PLACES ± 0.30 ± --- 1 PLACE ± 0.30 ± --- 0 PLACE ± ±	MM ONLY	2:1	METRIC	DRAWN BY: WY. YANG DATE: 1997/11/12 CHECKED BY: BK. CHOI DATE: 1997/11/12 APPROVED BY: CW. LEE DATE: 1997/11/12	TITLE .250 MULTI W-T-W CONN. PLUG HOUSING -4P molex SD-35547-002 SHEET NO. 1 OF 1
			ANGULAR ± 3°					
			DRAFT WHERE APPLICABLE MUST REMAIN WITHIN DIMENSIONS					
				SEE TABLE				