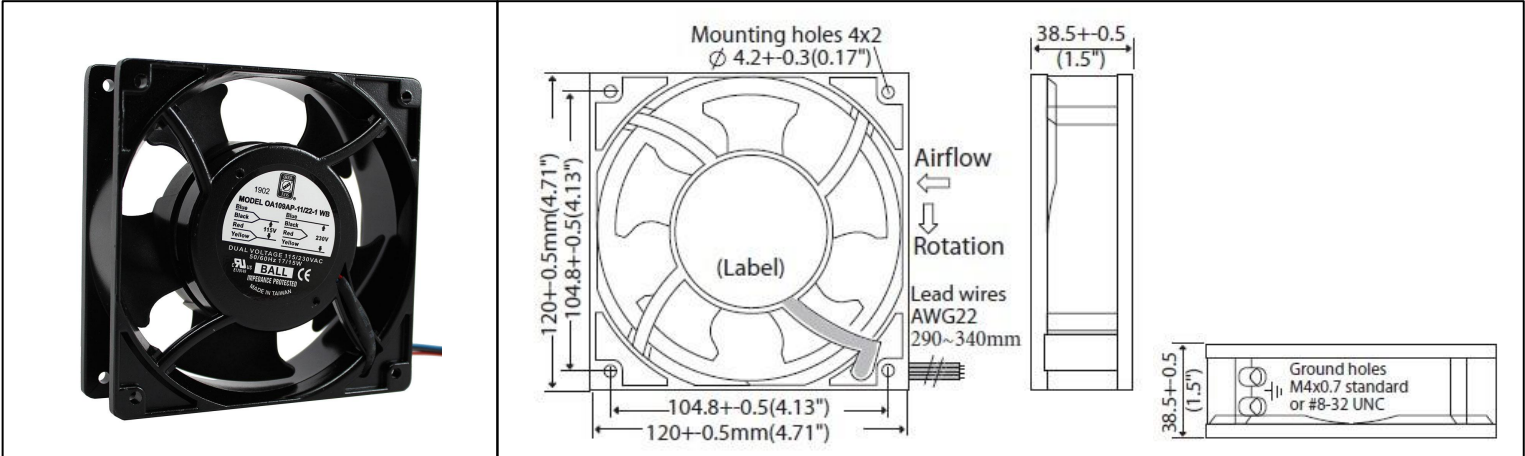


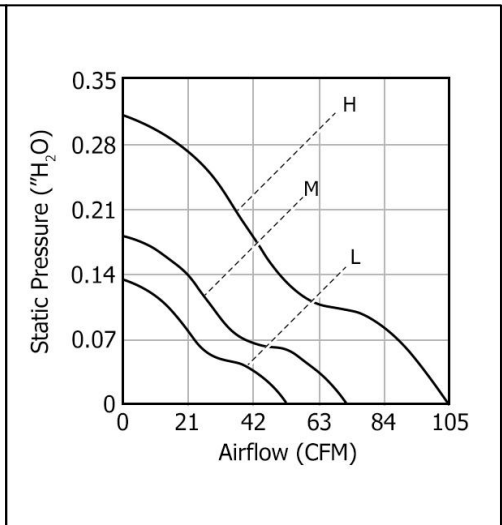
# OA109AP Dual Voltage



AC Fan - 115V, 230V  
120x120x38mm (4.7"x1.5")



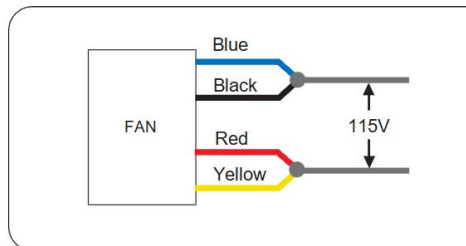
|                       |   |  |
|-----------------------|---|--|
| Frame                 | Die Cast Aluminum, Black Finish                                       | <b>Operating Temperature</b><br>-20°C ~ +70°C<br><br><b>Storage Temperature</b><br>-40°C ~ +100°C<br><br><b>Life Expectancy</b><br>80,000 hours (L10 at 45°C)<br><br>Weight: 1.2 lbs<br><br>m0 |
| Impeller              | PBT, UL94 V-0 plastic   |  |
| Connection            | 4x Lead Wires, 22 AWG   |  |
| Motor                 | Inner Rotor, Shaded Pole Induction, Single Phase, Impedance Protected |  |
| Bearing System        | Dual Ball Bearings  |  |
| Dielectric Strength   | 1500VAC/min < 1mA   |  |
| Insulation Resistance | Over 100MΩ @ 500VDC Between Leadwires and Frame                       |  |



| Part Number       | Rated Voltage 50/60Hz | Input Power 50/60Hz | Voltage Range     | Rated Speed (RPM) 50/60Hz | Airflow (CFM) 50/60Hz | Noise Level (dB) 50/60Hz | Max. Static Pressure (H <sub>2</sub> O) 50/60Hz |
|-------------------|-----------------------|---------------------|-------------------|---------------------------|-----------------------|--------------------------|---|
| OA109AP-11/22-1WB | 115 / 230 VAC         | 17 / 15 W           | 100-120 / 200-240 | 2600 / 3000               | 90 / 105              | 42                       | 0.29 / 0.31                                     |
| OA109AP-11/22-2WB | 115 / 230 VAC         | 13 / 11 W           | 100-120 / 200-240 | 2400 / 2350               | 77 / 71               | 35                       | 0.21 / 0.18                                     |
| OA109AP-11/22-3WB | 115 / 230 VAC         | 10 / 8 W            | 100-120 / 200-240 | 2000 / 1400               | 66 / 53               | 27                       | 0.17 / 0.13                                     |

\*PQ Airflow Data specifications are for 60 Hz operation

Dual Voltage Wiring Diagram 115VAC



Dual Voltage Wiring Diagram 230VAC

