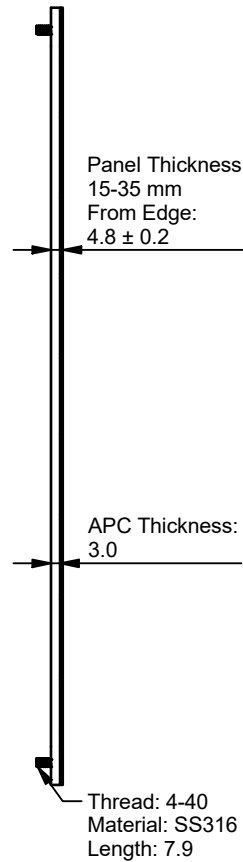
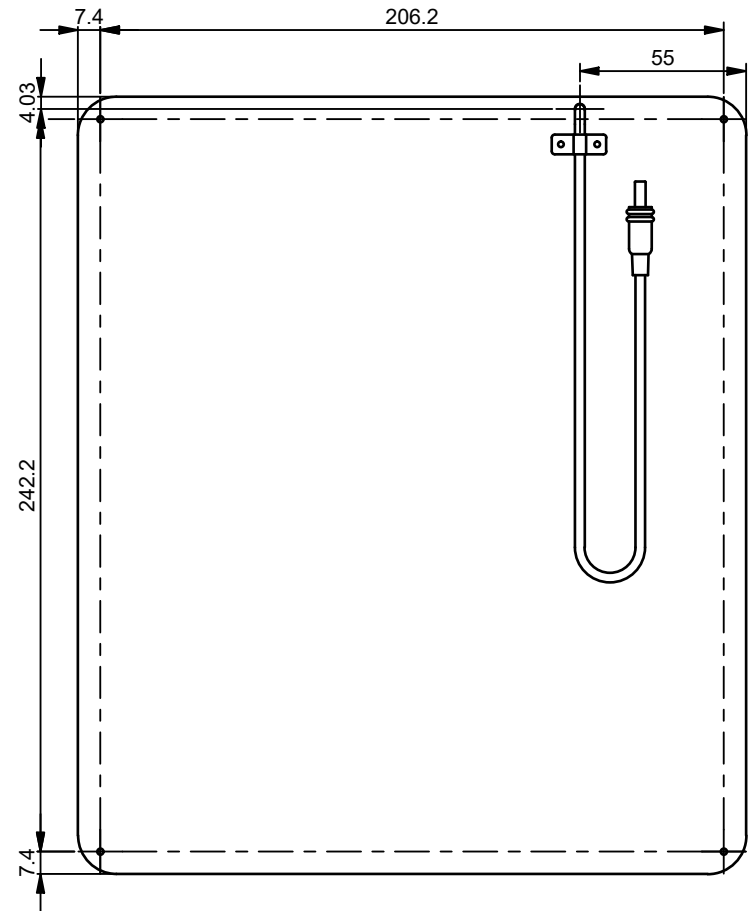


Front



Side



Back



**Drawing Details**

Panel Number:	P107
Revision:	R5D
Engineer:	CY
Checked By:	SM
Date Created:	2016-05-25
Date Modified:	2019-04-25
Changes:	Production Release
Tolerance:	± 0.3
Units:	mm
Scale:	1 : 2.5
Sheet:	1/2

**Construction**

All Materials	RoHS Compliant
Substrate:	Charcoal APC
Encapsulant:	Urethane
Top Layer:	Urethane
Wire Number:	W017
Wire Length:	260 ± 10
Strain Relief:	Metal Bracket
Attachment:	4X 4-40 Screws
Waterproof Rating:	IP67

**Power Specifications**

Output Tolerance: ± 10% of Voltage and Current				
Solar Cell: EEPV EE6E3C 3BB				
Nominal Efficiency: ≥ 19.5%		Cell Pieces: 36		
Panel Electrical Ratings		Nominal	Expected	
Open-Circuit Voltage	Voc	23.00	21.85	V
Voltage at Max Power	Vp	19.51	18.54	V
Short-Circuit Current	Isc	0.51	0.48	A
Current at Max Power	Ip	0.47	0.45	A
Maximum Power	Wp	9.21	8.30	W

