

# IVC-xxPC-P

## Heavy Duty Industrial Panel PC Systems

### 15", 17", 21.5", 23.8"

### Windows 7/10



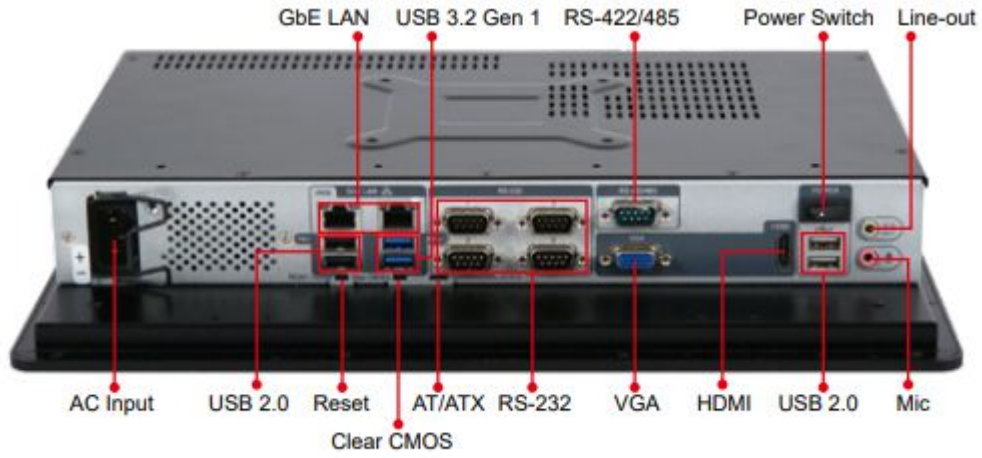
The IVC-xxPC-P features a design with the Intel Quad-Core Pentium® processor. The IVC-xxPC-P is designed to provide a cost-effective and versatile solution for a wide variety of Heavy Duty industrial and commercial applications. Meet the requirements of your application with Windows 7/8/10 Operating System.

### Specifications

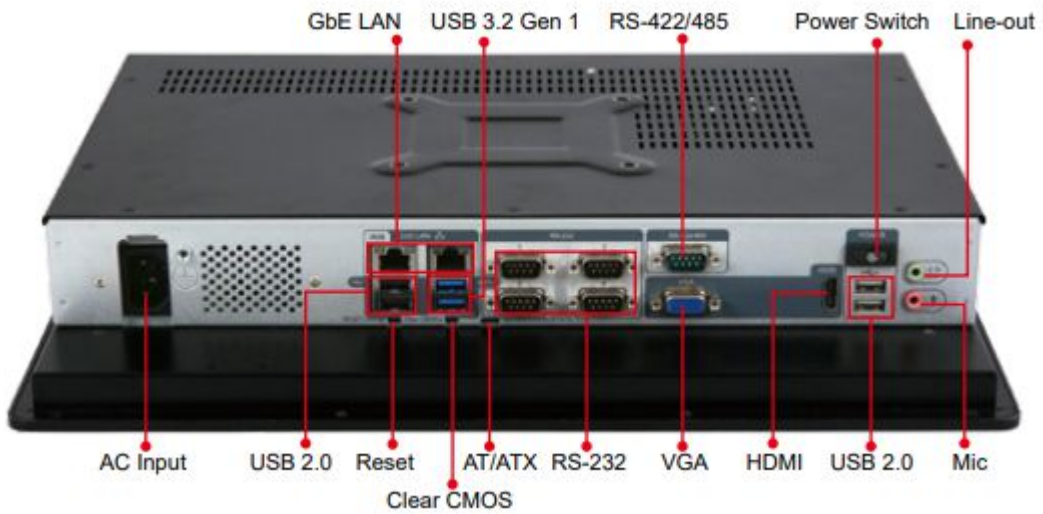
Model	IVC-15PC-P	IVC-17PC-P	IVC-22PC-P	IVC-24PC-P
LCD Display	15" (4:3)	17" (5:4)	21.5" (16:9)	23.8" (16:9)
Max. Resolution	1024(W) x 768(H)	1280(W) x 1024(H)	1920(W) x 1080(H)	1920(W) x 1080(H)
Brightness (cd/m <sup>2</sup> )	450	350	250	250
Contrast Ratio	800 : 1	800 : 1	1000 : 1	3000 : 1
LCD Color	16.2M	16.7M	16.7M	16.7M
Pixel Pitch (mm)	0.297 x 0.297	0.26 x 0.26	0.25 x 0.25	0.28 x 0.28
Viewing Angle (H-V)	160° / 150°	170° / 160°	170° / 160°	178° / 178°
Backlight MTBF (hrs)	70000	50000	30000	30000
Mother Board	SBC Model FPCCMB-H81-R10			
CPU	LGA1150 Intel® 4th generation Core™ Pentium® processor with up to 65W TDP			
Chipset	Intel® H81			
RAM Support	2 x 204-pin 1066/1333/1600 MHz dual-channel DDR3 SO-DIMM slots (max. 16GB)			
Touchscreen & Controller	5-wire resistive single touch window 3H/Penmount 9000  (Anti-glare Surface)  10-point Projected capacitive touch window (Anti-UV Anti-glare Surface)		10-point Projected capacitive touch window   6H/EETI EXC3188 (Anti-UV Anti-glare Surface)	
Input Interfaces	2 x RJ-45 LAN Port 2 x USB 3.2 Gen 1 (5Gb/s) 4 x USB 2.0 1 x HDMI output		1 x Line-out 1 x VGA output 1 x AC power plug 1 x AT/ATX switch	

Ports & Switches	4 x RS-232 1 x RS-422/485 1 x MIC-in		1 x Clear CMOS 1 x Reset button 1 x Power switch	
Expansion	1 x Full-size/half-size PCIe Mini card (PCIe and USB signal) 1 x Full-size/half-size PCIe Mini card (PCIe)			
Storage	1 x 2.5" HDD/SSD drive bay  1 x mSATA		1 x 2.5" HDD/SSD drive bay or 1 x 3.5" HDD/SSD drive bay  1 x mSATA	
Construction Material	Aluminum front cover and sheet metal rear cover			
Mounting	Panel mount, rack mount, 100x100 VESA mount		Panel mount, 100x100 VESA mount	
Enclosure	Color Black C			
Dimensions (mm)	303 x 378.5 x 68.7	341.4 x 408.4 x 73.8	350.4 x 550.4 x 71.7	382 x 600 x 71.7
Cutout Dimensions (mm)	285.6 x 361.1	323 x 390	341 x 536	359.6 x 577.6
Net/ Gross Weight (kg)	5.6/ 8.3	7.5/10.7	10.1/14.4	10.5/14.8
Operating Temperature	-10°C ~ 50° C (with air flow)			
Storage Temperature	-20°C ~ 60°C			
Humidity	10% to 95% (non-condensing)			
IP Level	Front IP 65			
Safety and EMC	CE & FCC certified			
Power Supply AC Input	AC input ATX power supply			
	- 220W power supply			
	- Input: 90V-264VAC 50/60 Hz			
	- Output (max.): 3.3V@10A, 5V@14A, 12V@14A, 12V@0.3A			
Power Consumption	80W	100W	110W	120W

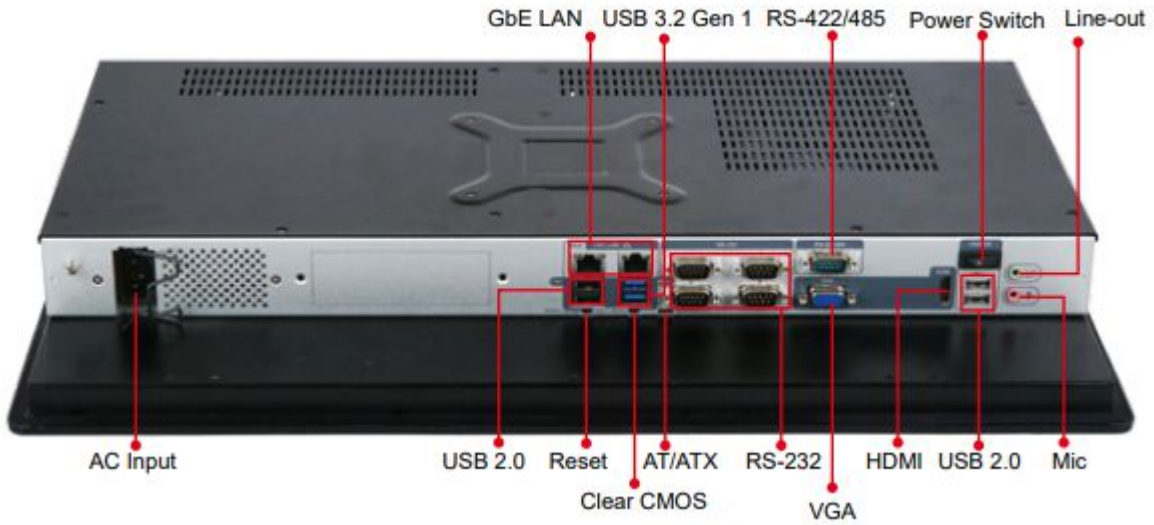
## IVC-15PC-P



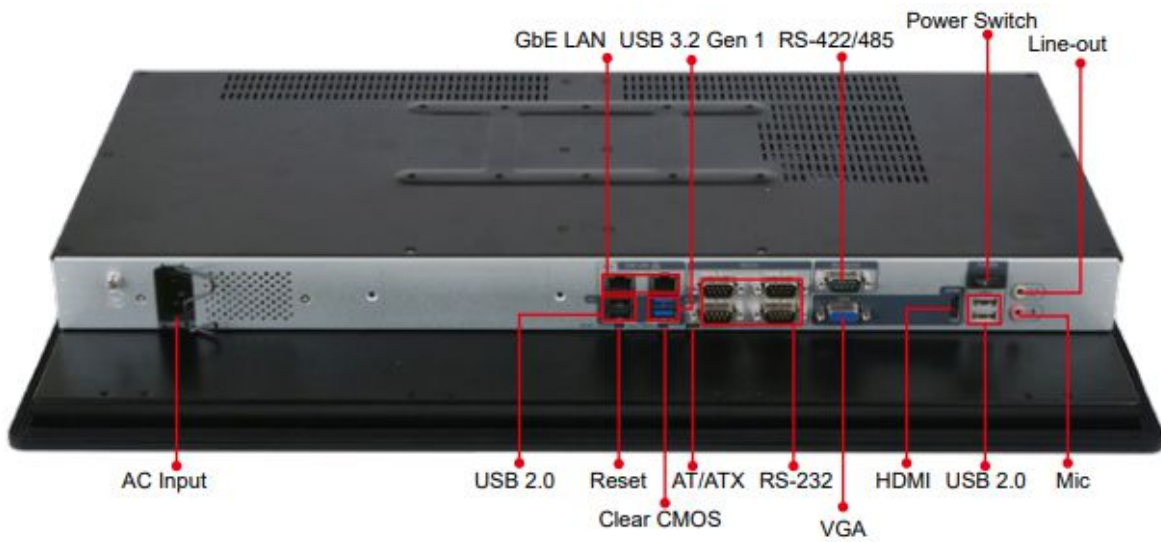
### IVC-17PC-P



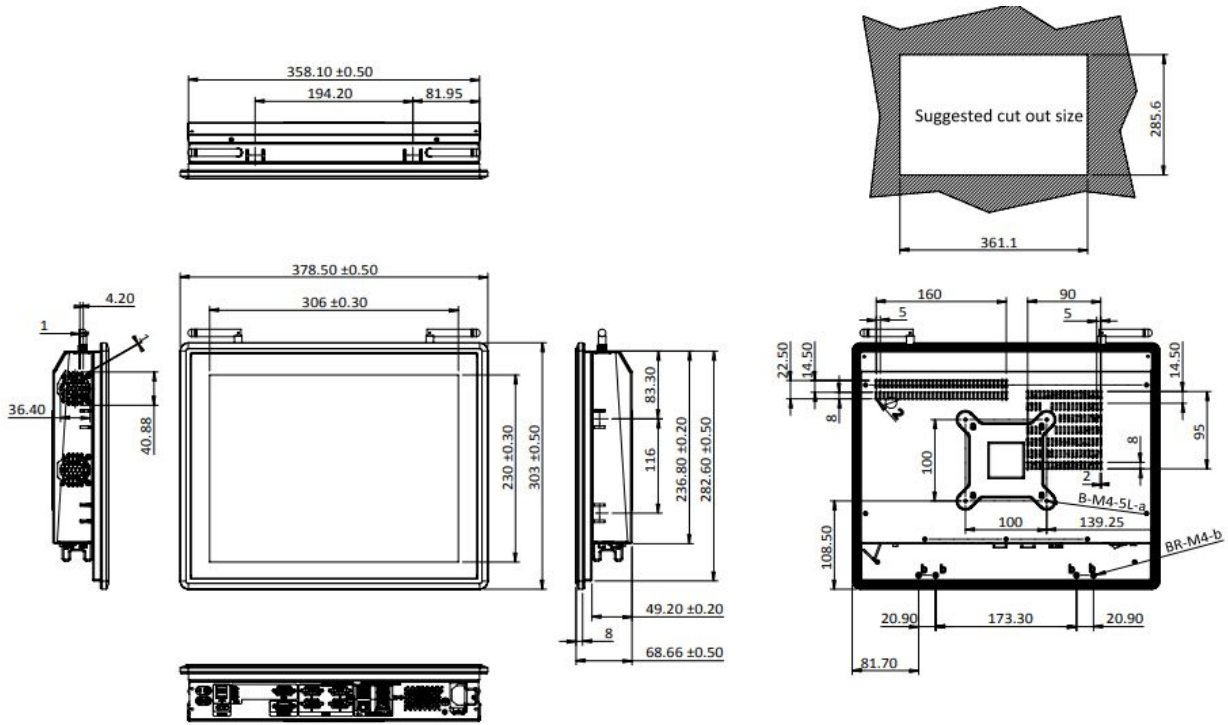
## IVC-22PC-P



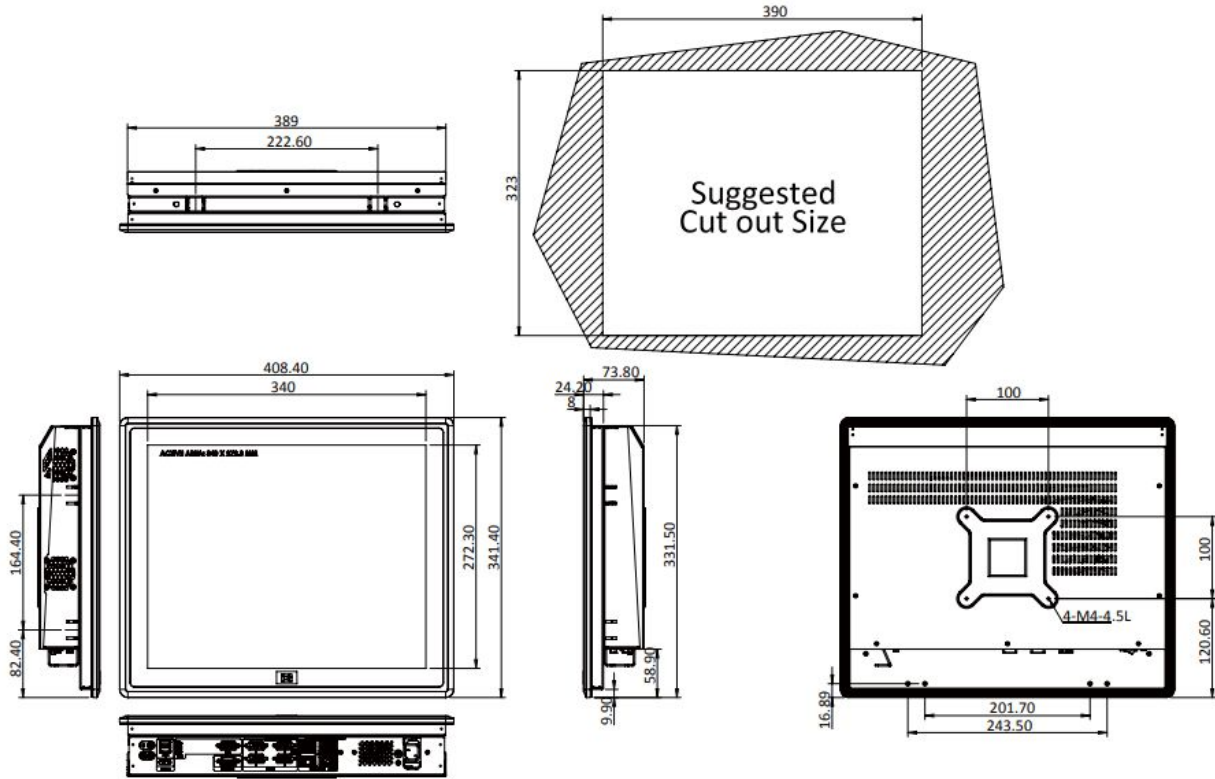
## IVC-24PC-P



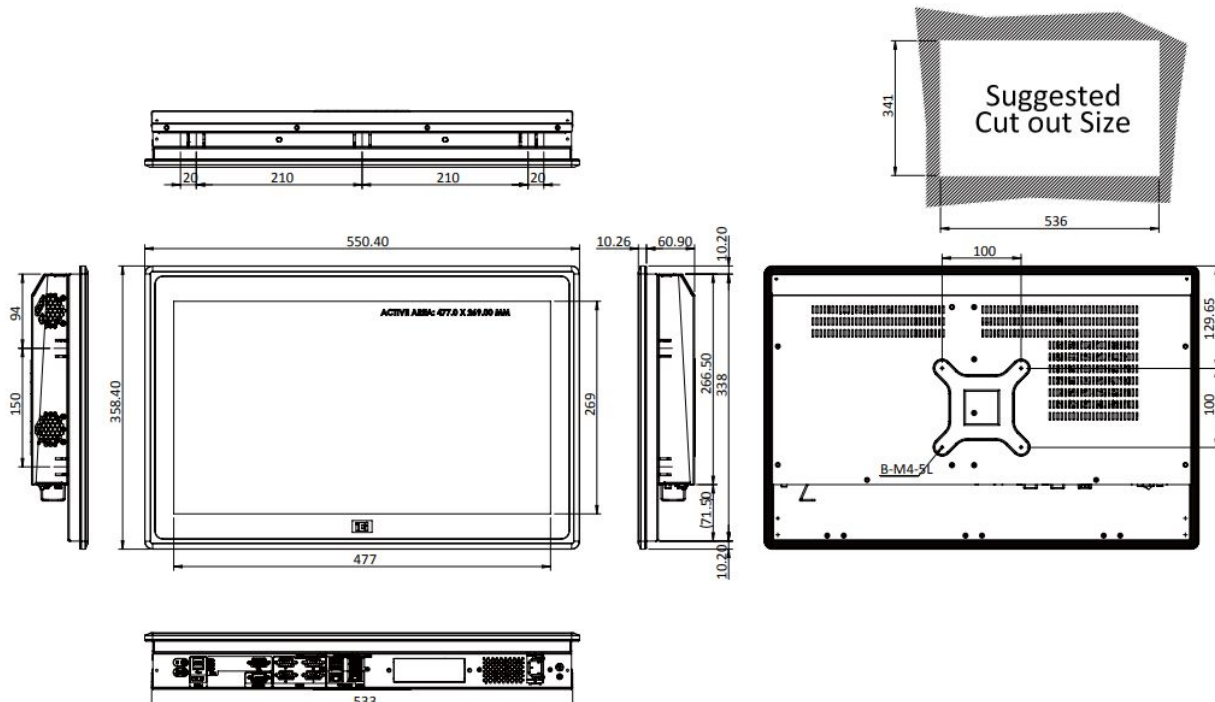
# IVC-15PC-P Dimensions (Unit: mm)



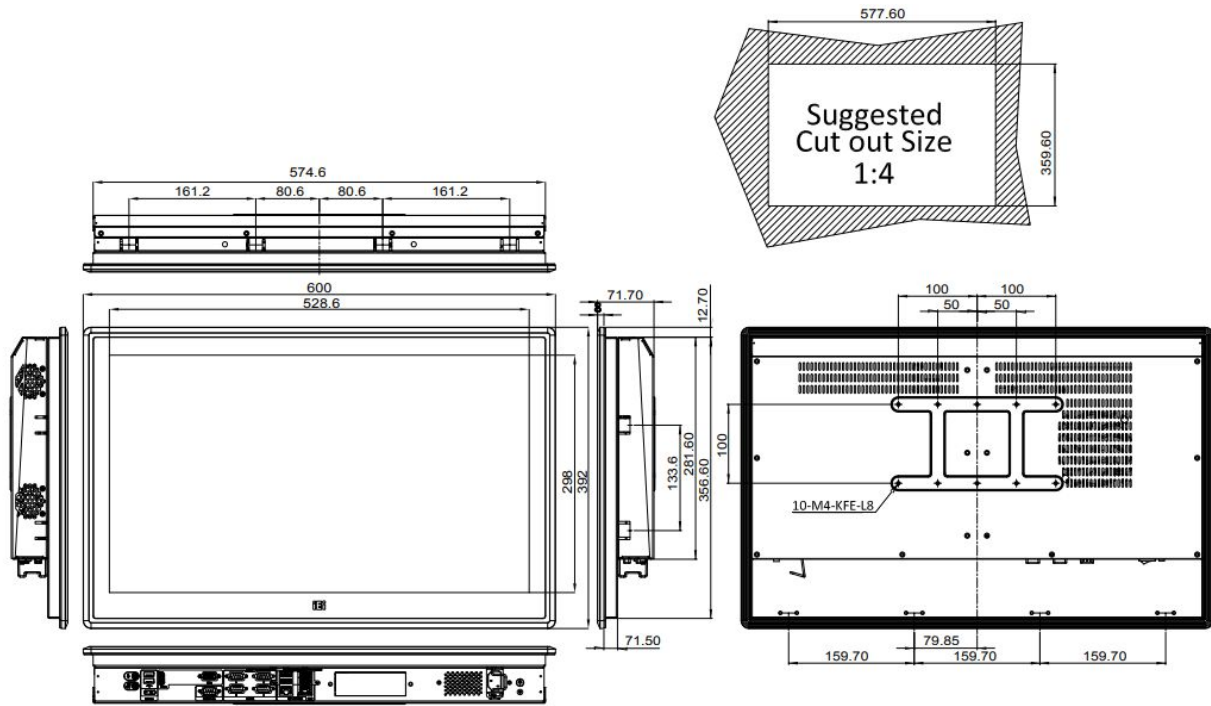
## IVC-17PC-P Dimensions (Unit: mm)



## IVC-22PC-P Dimensions (Unit: mm)



## IVC-24PC-P Dimensions (Unit: mm)



Packing List	AC Power Cord
	Screw Kit
	Panel Mount Kit

**2 Year Warranty**