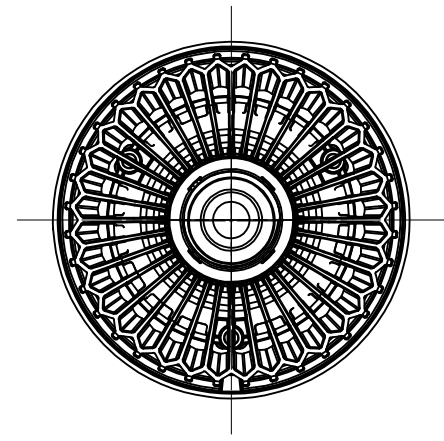
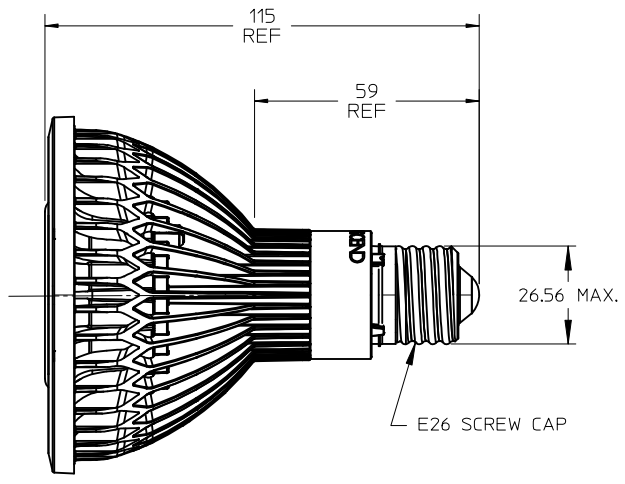
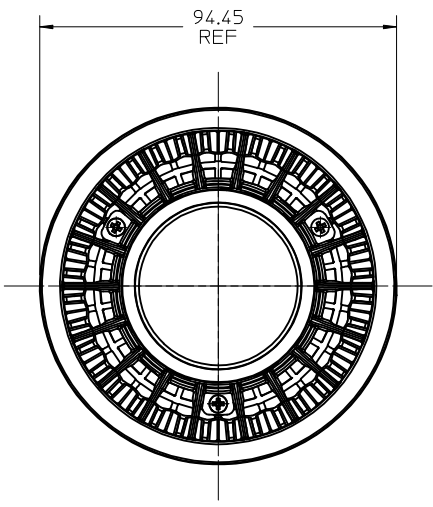
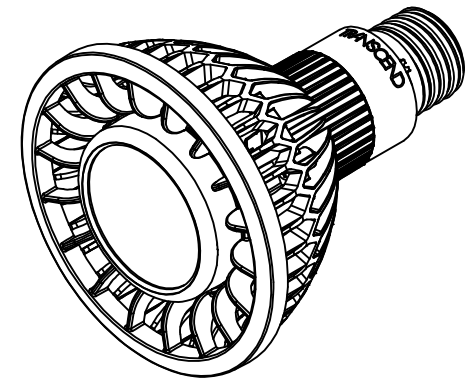


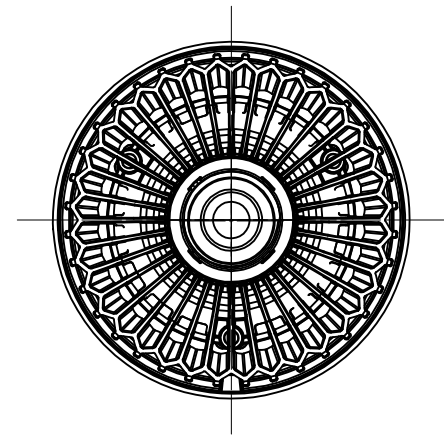
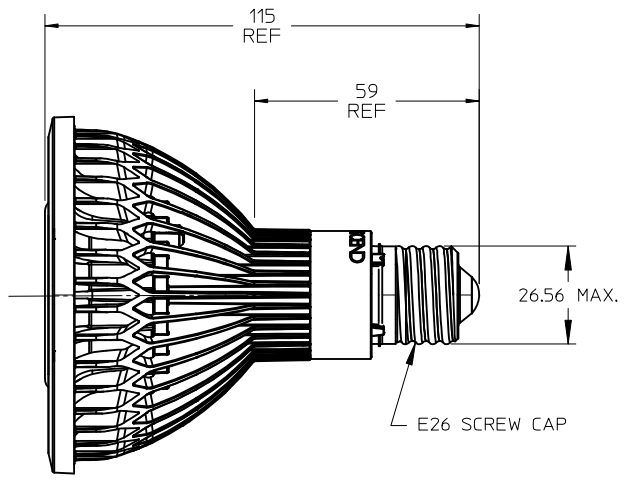
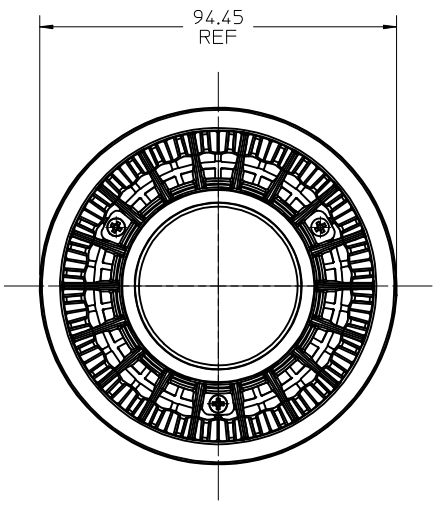
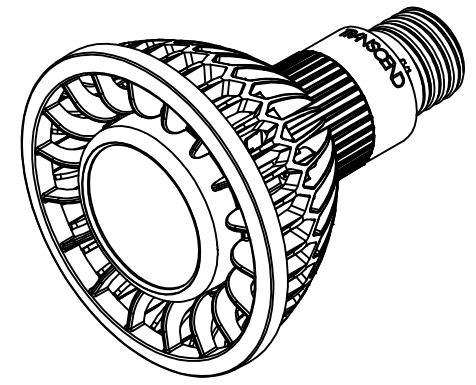
KIT MATERIAL NO.	DESCRIPTION	SPQ	PACKAGING SPECIFICATION	LAMP P/N MARKING
1801302021	PAR30-L LED LAMP IN TRAY PACKAGING	16	E-180130-900	1801302020
1801302022	PAR30-L LED LAMP IN CLAMSHELL PACKAGING	4	E-180130-901	1801302020



- NOTES:
- 1) MEETS UL 1993 TESTING FOR SELF BALLASTED LAMPS AND LAMP ADAPTERS.
  - 2) UL FILE E322950.
  - 3) OPERATING VOLTAGE: 120VOLTS @ 60HZ
  - 4) POWER CONSUMPTION: 12.5 WATTS.
  - 5) LUMEN OUTPUT: 700 LUMENS.
  - 6) COLOR TEMP: 3000K
  - 7) POWER FACTOR: GREATER THAN 0.90.
  - 8) SUITABLE FOR DAMP ENVIRONMENT.
  - 9) DO NOT USE WHERE DIRECTLY EXPOSED TO WATER.
  - 9) NOT FOR USE IN TOTALLY ENCLOSED FIXTURES.

<b>PROD. RELEASE</b> EC NO: SSL2013-0047 DRWNG: DACHAMME 2012/10/16 CHKD: DACHAMMER 2012/10/16 APPR: DMCGOWAN 2012/10/17	<b>QUALITY SYMBOLS</b> = 0 = 0 = 0	<b>GENERAL TOLERANCES (UNLESS SPECIFIED)</b>		<b>DIMENSION STYLE</b> <b>MM ONLY</b>	<b>SCALE</b> <b>1:1</b>	<b>DESIGN UNITS</b> <b>METRIC</b>	<b>THIRD ANGLE PROJECTION</b>
		4 PLACES ± --- ± --- 3 PLACES ± --- ± --- 2 PLACES ± 0.13 ± --- 1 PLACE ± 0.25 ± ---	mm INCH ± --- ± --- ± 0.13 ± --- ± 0.25 ± ---	DRAWN BY DATE FJAKL I C 2011/03/24	CHECKED BY DATE ACHAMMER 2011/11/15	APPROVED BY DATE DMCGOWAN 2011/11/29	<b>TITLE</b> <b>TRANSCEND PAR30-L LED LAMP</b>
<b>REV</b> B	<b>DESCRIPTION</b> DRAFT WHERE APPLICABLE MUST REMAIN WITHIN DIMENSIONS	ANGULAR ± 1/2°		<b>MATERIAL NO.</b> <b>SEE CHART</b>	<b>DOCUMENT NO.</b> <b>SD-180130-001</b>	<b>MOLEX INCORPORATED</b>	
				<b>SIZE</b> C	<b>THIS DRAWING CONTAINS INFORMATION THAT IS PROPRIETARY TO MOLEX INCORPORATED AND SHOULD NOT BE USED WITHOUT WRITTEN PERMISSION</b>		

KIT MATERIAL NO.	DESCRIPTION	SPQ	PACKAGING SPECIFICATION	LAMP P/N MARKING
1801302021	PAR30-L LED LAMP IN TRAY PACKAGING	16	E-180130-900	1801302020
1801302022	PAR30-L LED LAMP IN CLAMSHELL PACKAGING	4	E-180130-901	1801302020



- NOTES:
- 1) MEETS UL 1993 TESTING FOR SELF BALLASTED LAMPS AND LAMP ADAPTERS.
  - 2) UL FILE E322950.
  - 3) OPERATING VOLTAGE: 120VOLTS @ 60HZ
  - 4) POWER CONSUMPTION: 12.5 WATTS.
  - 5) LUMEN OUTPUT: 700 LUMENS.
  - 6) COLOR TEMP: 3000K
  - 7) POWER FACTOR: GREATER THAN 0.90.
  - 8) SUITABLE FOR DAMP ENVIRONMENT.
  - 9) DO NOT USE WHERE DIRECTLY EXPOSED TO WATER.
  - 9) NOT FOR USE IN TOTALLY ENCLOSED FIXTURES.

<b>PROD. RELEASE</b> EC NO: SSL2013-0047 DRWNG: DACHAMME 2012/10/16 CHKD: DACHAMMER 2012/10/16 APPR: DMCGOWAN 2012/10/17	<b>QUALITY SYMBOLS</b> 	<b>GENERAL TOLERANCES (UNLESS SPECIFIED)</b>		<b>DIMENSION STYLE</b> <b>MM ONLY</b>	<b>SCALE</b> <b>1:1</b>	<b>DESIGN UNITS</b> <b>METRIC</b>	<b>THIRD ANGLE PROJECTION</b>
		4 PLACES ± --- ± --- 3 PLACES ± --- ± --- 2 PLACES ± 0.13 ± --- 1 PLACE ± 0.25 ± ---	mm      INCH	DRAWN BY: FJAKL I C      DATE: 2011/03/24 CHECKED BY:              DATE: ACHAMMER              2011/11/15 APPROVED BY:              DATE: DMCGOWAN              2011/11/29	<b>TITLE</b> <b>TRANSCEND PAR30-L LED LAMP</b>		
<b>REV</b>	<b>DESCRIPTION</b>	<b>ANGULAR ±1/2°</b>		<b>MATERIAL NO.</b> <b>SEE CHART</b>	<b>DOCUMENT NO.</b> <b>SD-180130-001</b>	<b>MOLEX INCORPORATED</b>	<b>SHEET NO.</b> <b>1 OF 1</b>
<b>DRAFT WHERE APPLICABLE MUST REMAIN WITHIN DIMENSIONS</b>		<b>SIZE</b> <b>C</b>		<b>THIS DRAWING CONTAINS INFORMATION THAT IS PROPRIETARY TO MOLEX INCORPORATED AND SHOULD NOT BE USED WITHOUT WRITTEN PERMISSION</b>			