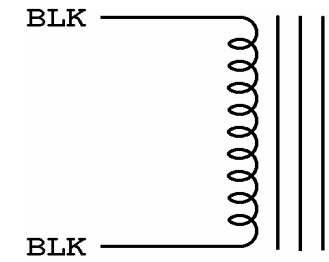
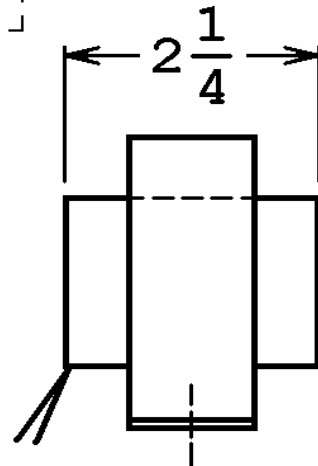
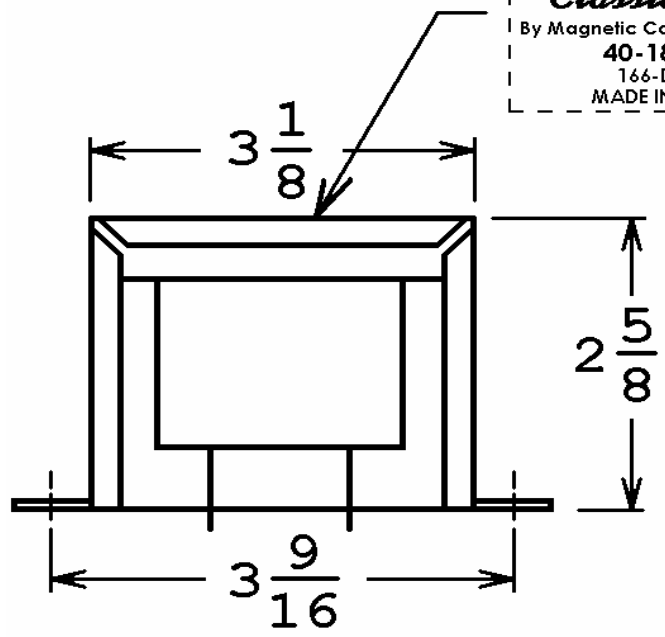


40-18082

This drawing is the property of Magnetic Components, Inc. and shall not be reproduced, in whole or in part, without the written permission of Magnetic Components, Inc.

REVISIONS			
LTR	DESCRIPTION	DATE	APPROVED

ClassicTone™
By Magnetic Components, Inc.
40-18082
166-DATE
MADE IN U.S.A.



L = 10 Hy @ 100mA DC
D.C. RESISTANCE = 270 Ω

UNLESS OTHERWISE SPECIFIED ALL DIMENSIONS IN INCHES DO NOT SCALE DRAWING FRACTIONS +/- .X = +/- .XX = +/- .XXX = +/- ANGLES = +/-	SIGNATURES		DATE	MAGNETIC COMPONENTS, INC.		DIV : LOC : SCHILLER PK	
	DRAWN : <i>MJF</i>		14 SEP 2011	TITLE AC15 CHOKE			
	CHECK :						
	APPR : <i>M. Lakota</i>		14 SEP 2011	CAGE	50508	SIZE	PART No.
			SCALE	NONE	A	40-18082	-
						SHEET :	