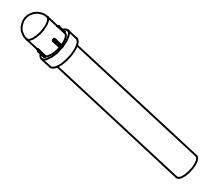
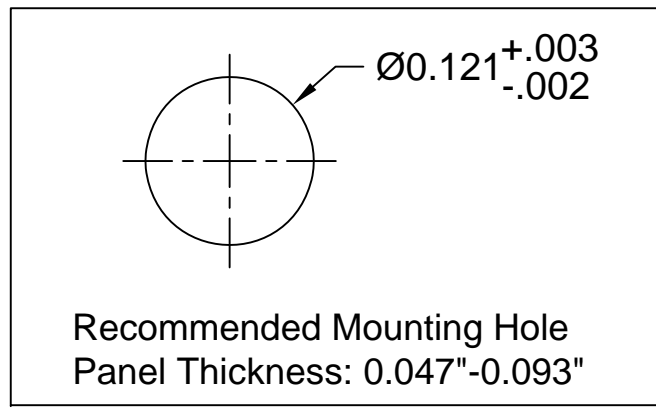
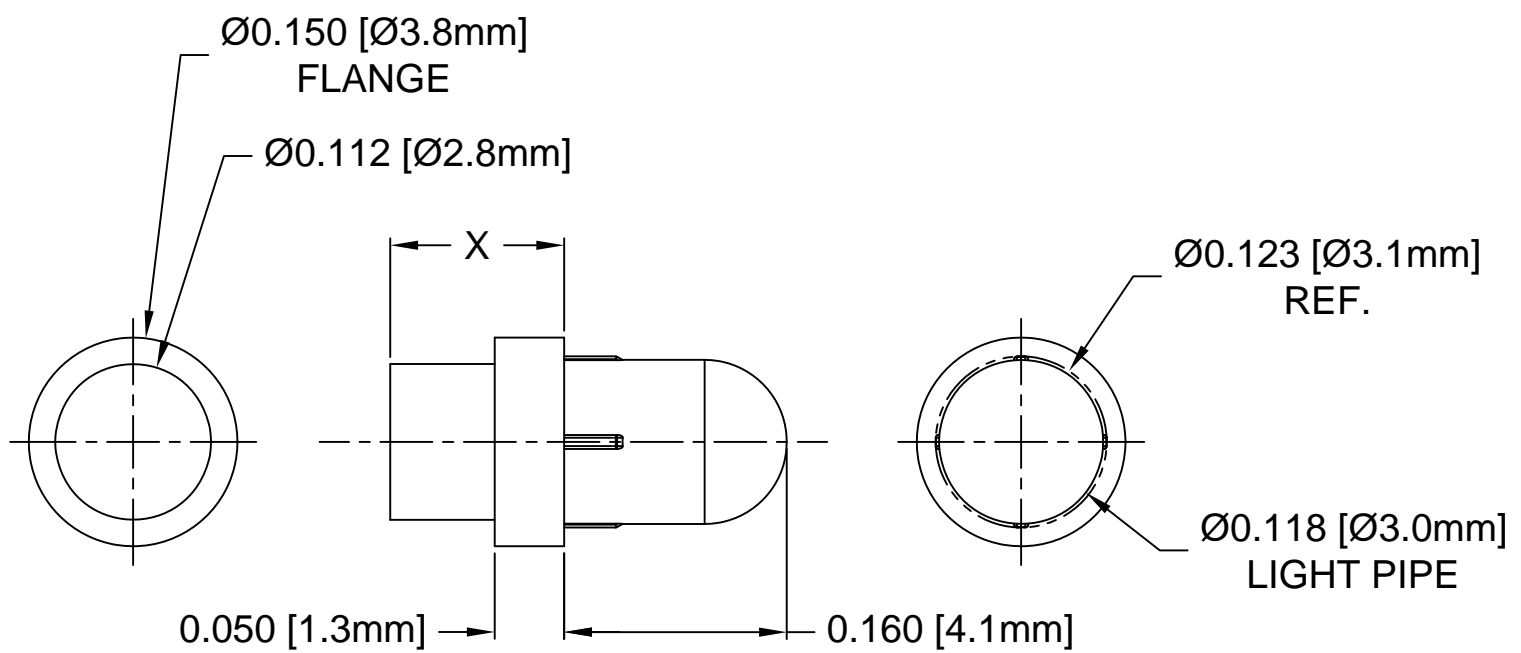


Part No.	X = Body Length
PLP1-100	0.100 ( 2.5mm )
PLP1-125	0.125 ( 3.2mm )
PLP1-175	0.175 ( 4.4mm )
PLP1-188	0.188 ( 4.8mm )
PLP1-200	0.200 ( 5.1mm )
PLP1-250	0.250 ( 6.4mm )
PLP1-313	0.313 ( 7.9mm )
PLP1-350	0.350 ( 8.9mm )
PLP1-375	0.375 ( 9.5mm )
PLP1-460	0.460 ( 11.7mm )
PLP1-500	0.500 ( 12.7mm )
PLP1-625	0.625 ( 15.9mm )
PLP1-750	0.750 ( 19.0mm )
PLP1-3MM	3mm ( 0.118" )
PLP1-4MM	4mm ( 0.157" )
PLP1-5MM	5mm ( 0.197" )
PLP1-6MM	6mm ( 0.236" )
PLP1-7MM	7mm ( 0.276" )
PLP1-8MM	8mm ( 0.315" )
PLP1-9MM	9mm ( 0.354" )
PLP1-10MM	10mm ( 0.394" )

REV.	DESCRIPTION	DATE	APPROVED
M	Added .175" and .200" Lengths To Offering List.	02/27/14	J. C.
P	Added Panel Thicknes.	05/01/15	J. C.
Q	Added .100", .188", .313" Lengths to Offering List.	05/27/15	J. C.
R	Added Metric Lengths to Offering List.	07/15/15	J. C.
T	Added Color Options, Sheet #2.	02/02/16	J. C.



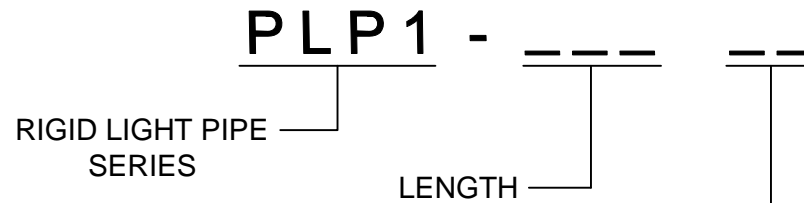
2. MATERIAL: POLYCARBONATE, 94V-0, CLEAR.
1. GENERAL SPECIFICATIONS: BIVAR MOLDED COMPONENT SPECIFICATION BV00-E101 and BSMC-1001.

STANDARD TOLERANCE (UNLESS OTHERWISE SPECIFIED)		BIVAR®	
DECIMALS	ANGULAR	4 THOMAS, IRVINE, CA. 92618	
.X ± .1	X° ± 1°	TEL: (949) 951-8808 FAX: (949) 951-3974	
.XX ± .01		<b>TITLE:</b> PRESS-FIT, PANEL MOUNT, LIGHT PIPE, ROUND TOP	
.XXX ± .005		<b>PART NO:</b> PLP1-XXX	
DESIGNED: Michael Chen	DATE: 01/16/02	REVISION: T	
CHECKED: E. M. Muldoon	DATE: 04/26/02	<b>CAGE CODE :</b> 32559 <b>SHEET #</b> 1 <b>OF</b> 2	
CAD GENERATED DOCUMENT. DO NOT MEASURE DRAWING.			

**OTHER AVAILABLE COLORS**

\* SEE TABLE FOR ORDERING INFORMATION

REV.	DESCRIPTION	DATE	APPROVED
	SEE SHEET #1		



COLOR	Order Code
BLUE	BE
BLACK	BK
GREEN	GN
GRAY	GY
RED	RD
YELLOW	YW

NOTE: LEAVE ORDER CODE BLANK IF NO COLOR IS DESIRED.

3. PARTS ARE DYED TO COLOR UPON REQUEST.

STANDARD TOLERANCE ( UNLESS OTHERWISE SPECIFIED ) <u>DECIMALS</u> <u>ANGULAR</u>		<b>BIVAR</b> <sup>®</sup> 4 THOMAS, IRVINE, CA. 92618 TEL: (949) 951-8808    FAX: (949) 951-3974	
DESIGNED: <b>K. Aukshunas</b>		DATE: <b>01/22/16</b>	
CHECKED: <b>J. Chiang</b>		DATE: <b>01/22/16</b>	
PART NO: <b>PLP1-XXX</b>		REVISION: <b>T</b>	
CAGE CODE : <b>32559</b>		SHEET # <b>2 OF 2</b>	
CAD GENERATED DOCUMENT. DO NOT MEASURE DRAWING.			