

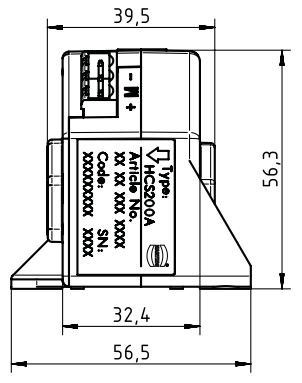
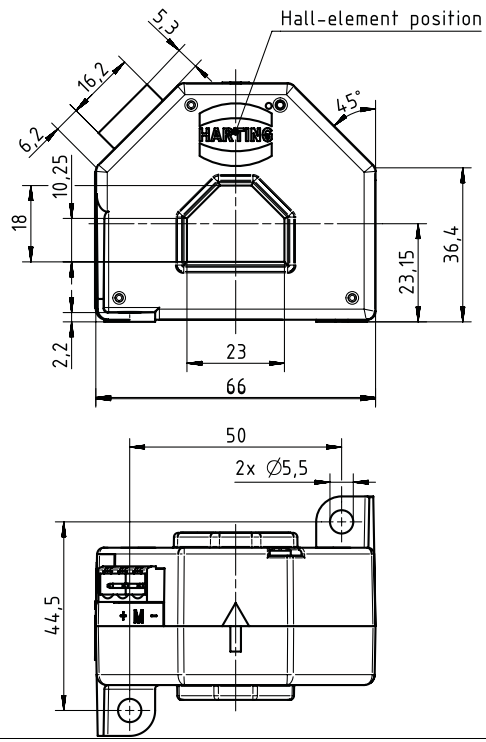


$I_{PN} = 200\text{ A}$

Identification	Part number	Drawing	Dimensions in mm
----------------	-------------	---------	------------------

HCM 200 A
 Connection:
 Metz Type 320
 (PT11503VBBN)
 mating connector included
 (Metz SP04503VBNC)

20 31 020 0102



HCM 200 A Faston
 Connection:
 3 x Faston 6.3x0.8 mm

20 31 020 0101

