



**American Opto Plus LED Corp.**  
**SMD Type LED Display**  
**SMA-B500LY G/W**

● **EDIT HISTORY**

Version A: Nov. 26, 2013

Preliminary spec.



# American Opto Plus LED Corp.

## SMD Type LED Display

### SMA-B500LY G/W

#### ● FEATURES

- Bar graph display.
- Excellent character appearance.
- Wide viewing angle.
- Gray face, white bar.
- Super Thin SMD Type.
- RoHS compliant, Pb Free.

#### ● DESCRIPTION

The SMA-B500LY G/W is a rectangular bar graph display.

This device utilizes Super Bright Yellow LED chip which are made from AlGaInP on a transparent GaAs substrate.

The display has Gray face and white bars.

#### ● DEVICE

PART NO	DESCRIPTION
Super Bright Yellow	Common Anode
SMA-B500LY G/W	

**RoHS Compliance**



**Pb free.**



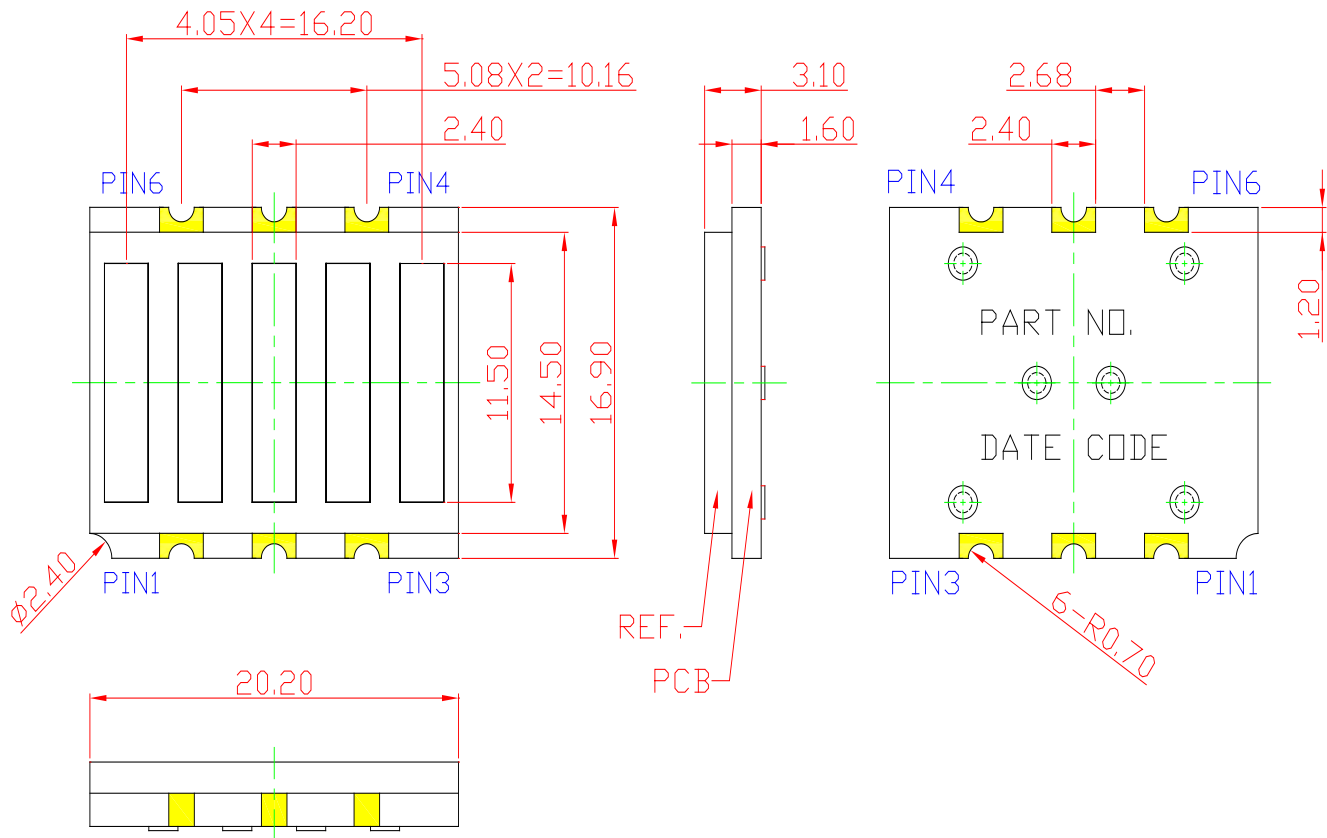


# American Opto Plus LED Corp.

## SMD Type LED Display

### SMA-B500LY G/W

#### ● MECHANICAL DIMENSIONS



#### NOTE:

Dimension in millimeters (inches),  
and tolerances are  $\pm 0.25\text{mm}$  (.01") specified.



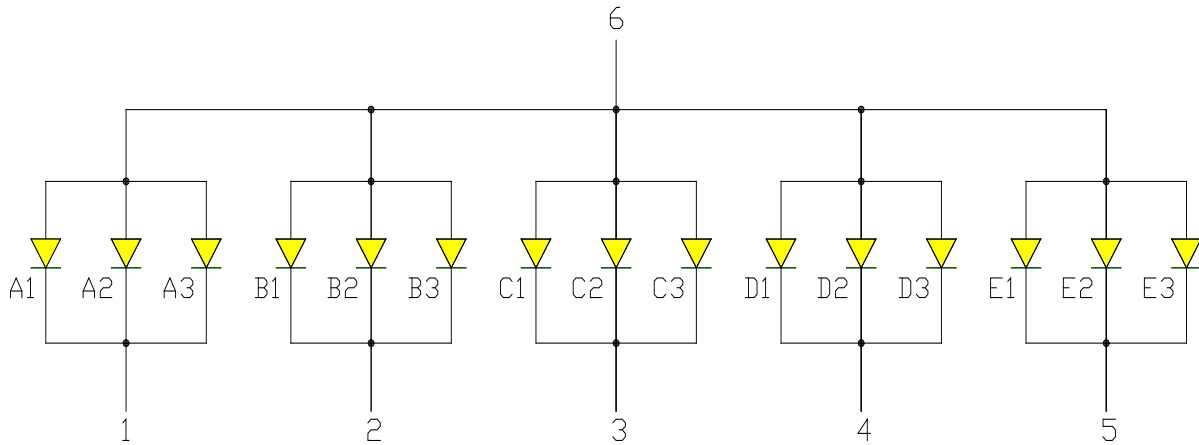
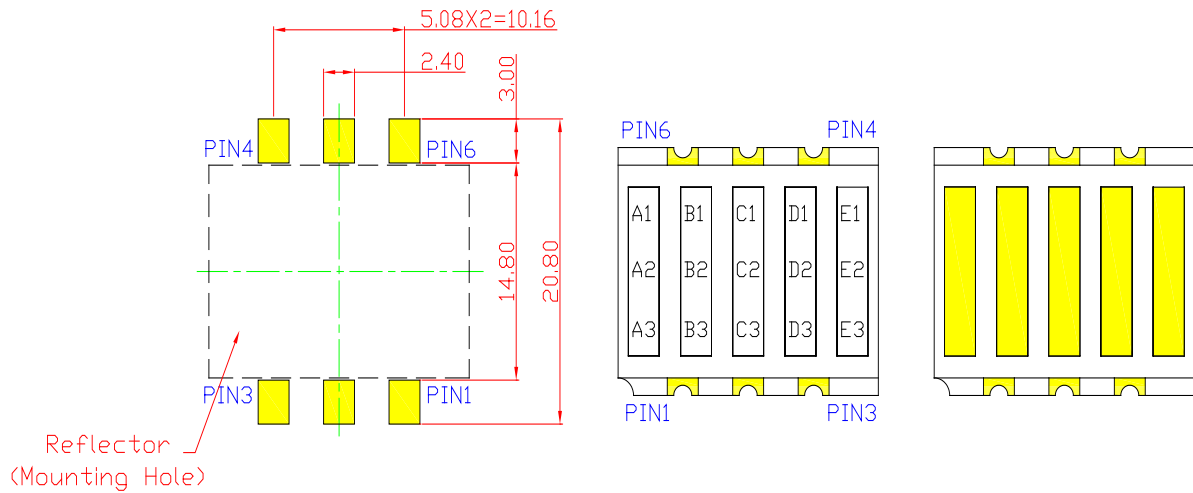
# American Opto Plus LED Corp.

## SMD Type LED Display

### SMA-B500LY G/W

#### ● INTERNAL CIRCUIT DIAGRAM PIN CONNECTION

Recommended  
Reverse Mount  
Solder Pattern





# American Opto Plus LED Corp.

## SMD Type LED Display

### SMA-B500LY G/W

● **LY: SUPER BRIGHT YELLOW (AlGaInP/GaAs)**

ABSOLUTE MAXIMUM RATING AT Ta=25°C

Parameter	Symbol	Maximum Rating	Unit
Power dissipation	P <sub>AD</sub>	70	mW
Derating liner from 25°C	-	0.28	mA / °C
Continuous forward current	I <sub>AF</sub>	25	mA
Peak current (duty cycle 1/10, 1kHz)	I <sub>PF</sub>	90	mA
Reverse voltage	V <sub>R</sub>	5	V
Operating temperature	T <sub>OPR</sub>	-40 to +105	°C
Storage temperature	T <sub>STG</sub>	-40 to +105	°C

ELECTRICAL - OPTICAL CHARACTERISTICS AT Ta=25°C

Characteristic	Symbol	Condition	Min.	Type.	Max.	Unit
Forward Voltage, (Per Dice)	V <sub>F</sub>	I <sub>F</sub> =20mA	-	2.0	2.6	V
Reverse Current, (Per Dice)	I <sub>R</sub>	V <sub>R</sub> =5V	-	-	10	µA
Peak Wavelength	λ <sub>P</sub>	I <sub>F</sub> =20mA	-	593	-	nm
Dominant Wavelength	λ <sub>D</sub>	I <sub>F</sub> =20mA	-	590	-	nm
Luminous Intensity	I <sub>V</sub>	I <sub>F</sub> =20mA	-	50	-	mcd
Spectral radiation bandwidth	Δλ	I <sub>F</sub> =20mA	-	20	-	nm



# American Opto Plus LED Corp.

## SMD Type LED Display

### SMA-B500LY G/W

#### ● LY: SUPER BRIGHT YELLOW (AlGaInP/GaAs) CURVE

Typical Electro-optical Characteristic Curves  
(25 °C Free Air Temperature Unless Otherwise Specified)

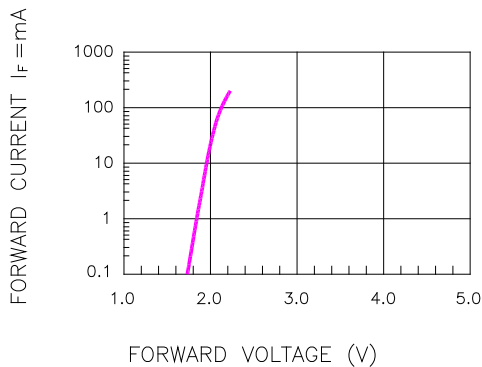


Fig.1 FORWARD CURRENT VS. FORWARD VOLTAGE

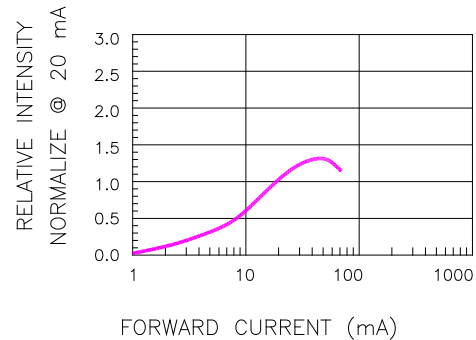


Fig.2 RELATIVE INTENSITY VS. FORWARD CURRENT

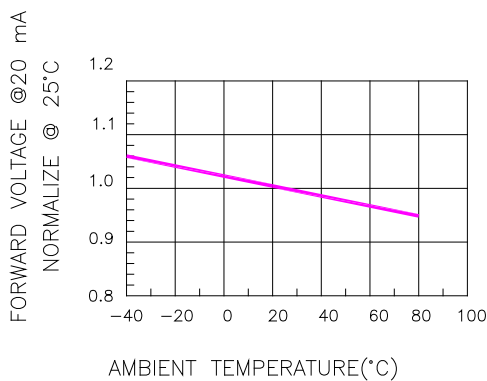


Fig.3 FORWARD VOLTAGE VS. TEMPERATURE

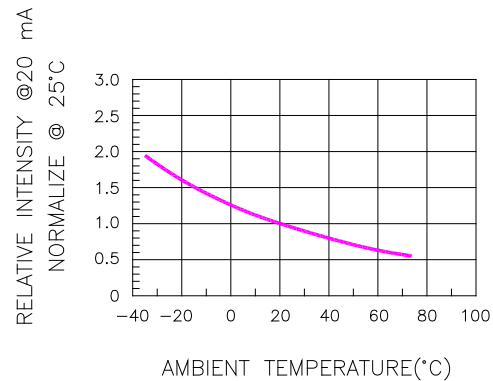


Fig.4 RELATIVE INTENSITY VS. TEMPERATURE

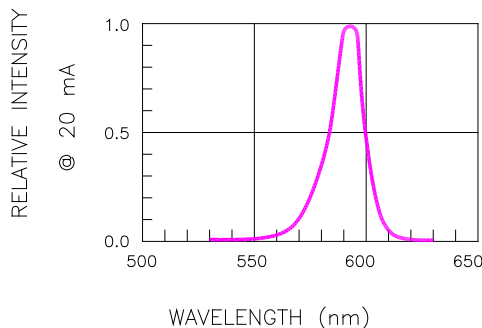


Fig.5 RELATIVE INTENSITY VS. WAVELENGTH

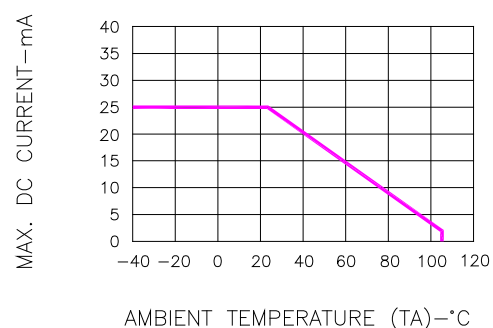


Fig.6 MAX. ALLOWABLE DC CURRENT VS. AMBIENT TEMPERATURE



# American Opto Plus LED Corp.

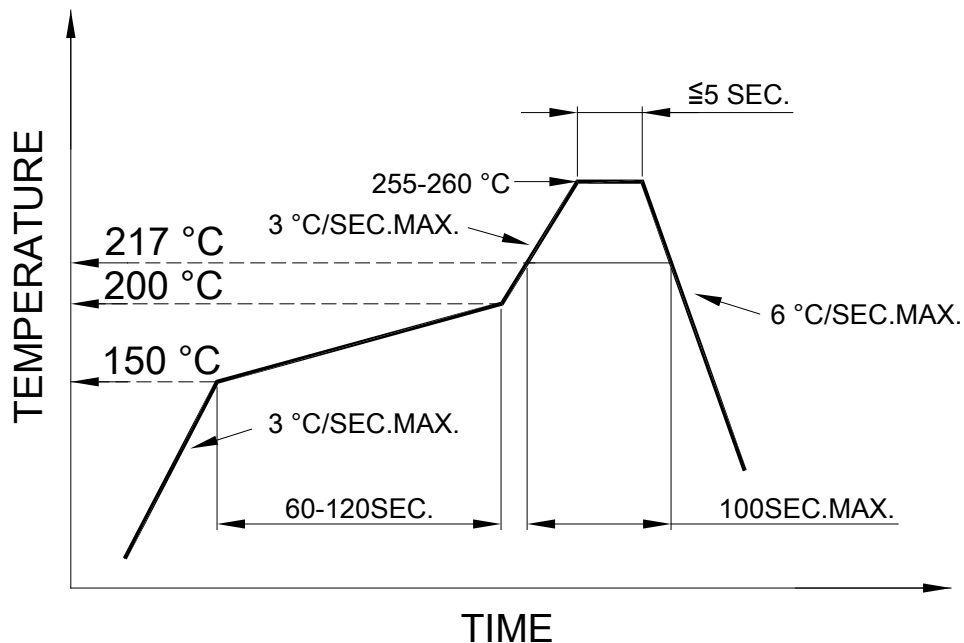
## SMD Type LED Display

### SMA-B500LY G/W

#### ● SMT REFLOW SOLDERING INSTRUCTIONS

SMT Soldering Profile

Pb free reflow soldering Profile



#### ● SOLDERING IRON

Basic spec is  $\leq 4$  sec when  $260^{\circ}\text{C}$ . If temperature is higher, time should be shorter ( $+10^{\circ}\text{C} \rightarrow 1$  sec). Power dissipation of Iron should be smaller than 15W, and temperature should be controllable. Surface temperature of the device should be under  $230^{\circ}\text{C}$ .

#### ● REWORK

- Customer must finish rework within 3 sec. under  $350^{\circ}\text{C}$ .
- The head of soldering iron cannot touch copper foil.

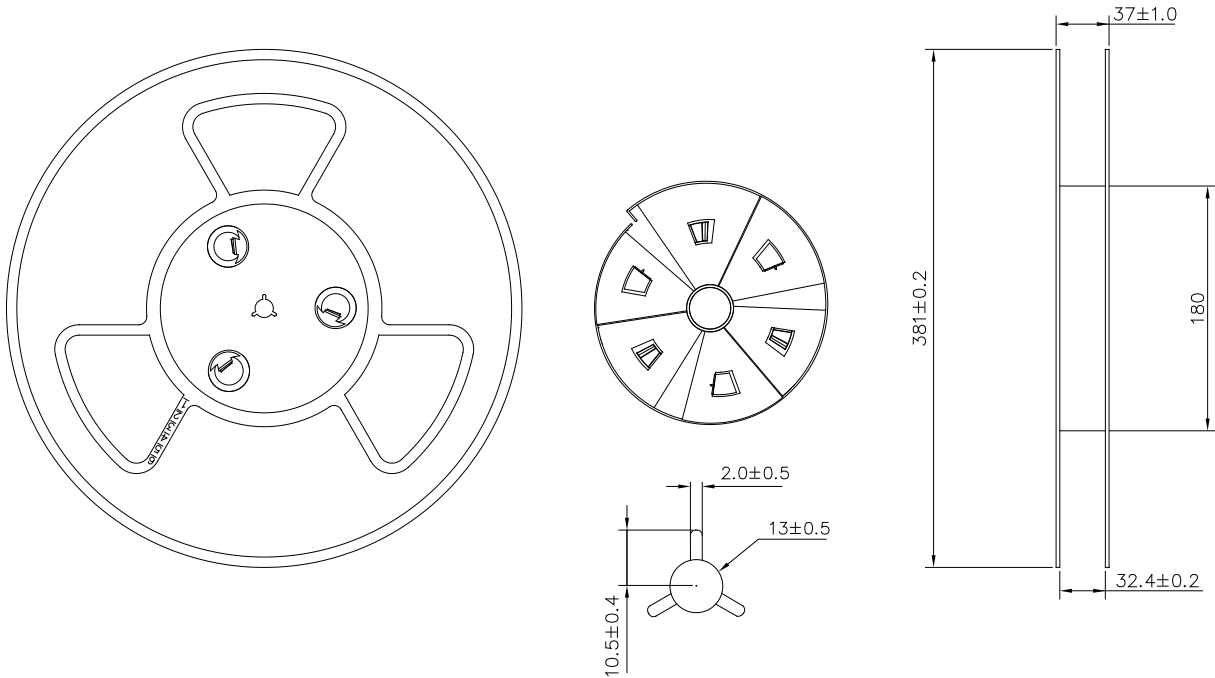


# American Opto Plus LED Corp.

## SMD Type LED Display

### SMA-B500LY G/W

#### ● REEL DIMENSIONS



#### ● PACKING & LABEL SPECIFICATIONS

