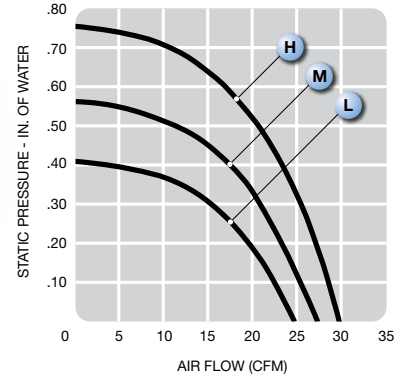
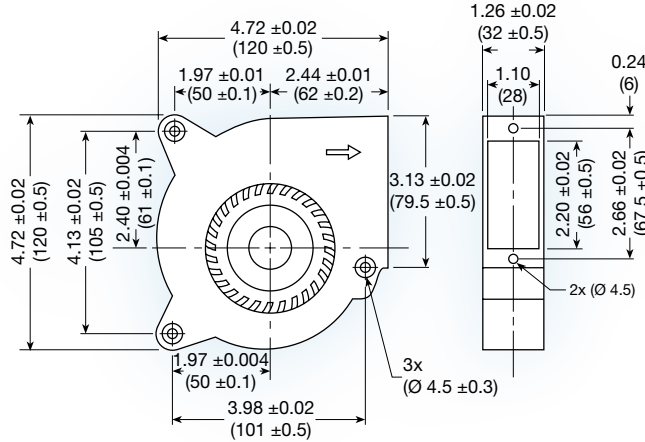


B1232 series



(120 x 120 x 32 mm)

4.7 x 4.7 x 1.24 inches

Construction:	UL94V-0 PBT impeller & frame
Bearing option:	ball bearing
Connection:	AWG 24, UL1007 lead wires
Protection:	thermal
Options:	tachometer output or locked rotor alarm signal; PWM speed control

Model No.	Rated Voltage V	Current mA		Speed RPM	Air Volume		Max. Static Pressure (H ₂ O)		Sound Noise dB A	Weight g
		12	24		M ³ /Min.	CFM	MM	INCH		
B1232L	12/24	360	180	2,100	0.59	21	8.37	0.33	42	320
B1232M	12/24	550	330	2,400	0.67	24	11.53	0.45	46	320
B1232H	12/24	800	480	2,800	0.80	28	17.24	0.68	49	320

