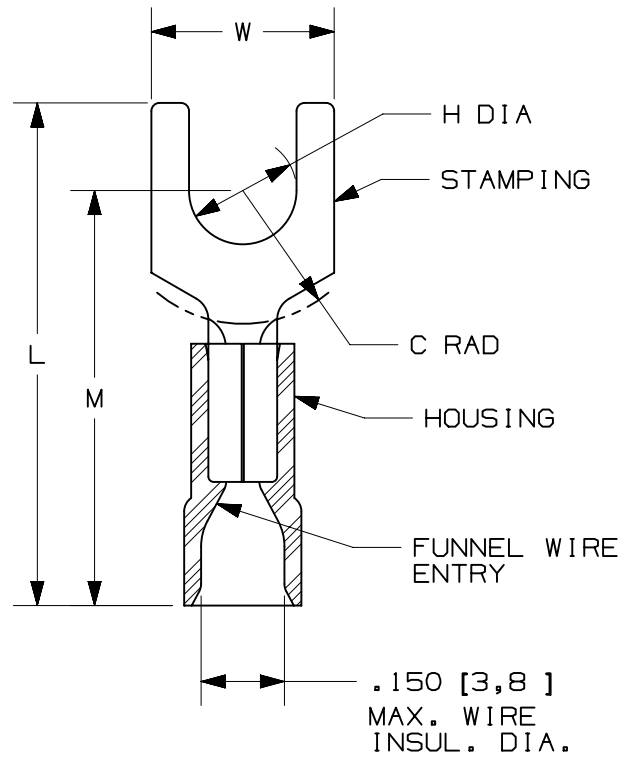


THIS COPY IS PROVIDED ON A RESTRICTED BASIS AND IS NOT TO BE USED IN ANY WAY DETRIMENTAL TO THE INTERESTS OF PANDUIT CORP.

PANDUIT PART #	STUD SIZE		DIMENSIONS in. [mm]					TOOLS
	ENGLISH	METRIC	L ± .03 [0,51]	W ± .01 [0,25]	C ± .02 [0,38]	M ± .03 [0,51]	H ± .01 [0,25]	
PMV1-3FB	--	M3	.85 [21,6]	.23 [5,84]	.19 [4,83]	.71 [18,03]	.13 [3,30]	CT-100A *CT-160 *CT-260 *CT-400 CT-600-A (CT-500CH) CT-600-A (CT-550CH) CT-1550 CT-1551 CT-2500 (CT-2550CH)
PV18-6F	#6	M3,5	.86 [21,8]	.30 [7,6]	.21 [5,3]	.69 [17,5]	.15 [3,8]	
PV18-6FN	#6	M3,5	.85 [21,6]	.24 [6,1]	.21 [5,3]	.69 [17,5]	.15 [3,8]	
PV18-8F	#8	M4	.93 [23,6]	.32 [8,1]	.25 [6,4]	.73 [18,5]	.17 [4,3]	
PV18-10F	#10	--	.93 [23,6]	.35 [8,9]	.25 [6,4]	.75 [19,1]	.20 [5,1]	
PV18-10FN	#10	--	.93 [23,6]	.31 [7,9]	.25 [6,4]	.75 [19,1]	.20 [5,1]	
PMV1-5FB	--	M5	.93 [23,6]	.36 [9,14]	.24 [6,10]	.76 [19,30]	.20 [5,1]	



\*PANDUIT APPROVED TOOL

NOTES:

- cULus LISTED FOR:
  - A. 22-18 AWG [0,5-1,5 mm<sup>2</sup>] SOLID OR STRANDED COPPER WIRE
  - B. 221°F [105°C] MAX. OPERATING TEMPERATURE
  - C. 600V. MAX. BLDG WIRE  
(1000 V. MAX. IN SIGNS, FIXTURES & LUMINAIRES)
2. SEE [www.panduit.com](http://www.panduit.com) FOR PACKAGE QUANTITIES
3. MATERIAL:
  - A. STAMPING: .032" [0,8] THK COPPER, TIN PLATED
  - B. HOUSING: VINYL, RED
4. DIMENSIONS IN BRACKETS ARE METRIC EQUIVALENT
5. WIRE STRIP LENGTH: 5/16 <sup>+1/32</sup>/<sub>-0</sub> [7,9 <sup>+0,8</sup>/<sub>-0</sub>]



TITLE <b>2 PC. VINYL INSULATED, #22-18 BARREL, FORKS</b> CUSTOMER DRAWING				
ITEM REVISION NAME N41194BA/09			<b>PANDUIT</b> ™	
DATASET FILE NAME N41194BA_DC/09A			MATERIAL: SEE NOTES	
UNLESS OTHERWISE SPECIFIED, DIMENSIONAL TOLERANCES ARE: IN [mm] .X ± .XXX ± .XX ± ANGLES ± THIRD ANGLE PROJECTION			DRAWING NUMBER: <b>A41194</b>	
DRAWN BY FES	DATE -	CHK FS	SCALE N.T.S.	SHEET 1 OF 1 A

09	07/14	MBY	JHNU	RGB	REVISED NOTES, MOVED TOOLS TO TABLE, REVISED CERTIFICATION	N41194BA-A41194
08	07.17.12	BDK	LCA	VMB	ADDED PMV1-3FB AND PMV1-5FB. ADDED METRIC EQUIVALENT. CHANGE PACKAGING NOTE. REVISED INSTALLATION TOOLS NOTE. BROUGHT DRAWING TO CURRENT STANDARDS.	N41194BA-DC
REV	DATE	BY	CHK	APR	DESCRIPTION	ECN

D10100DA/12