

### FEATURES

- RoHS compliant
- Logic translation
- Bi-Directional
- Invert / non-invert
- TTL-CMOS conversion
- Toroidal construction
- Low profile
- 500Vrms isolation
- Backward compatible with Sn/Pb soldering systems

### DESCRIPTION

The 1600 series are quad isolation transformer packs for use in digital circuits. They are particularly suited to isolating microprocessor bus connections and performing logic level translation. Being completely passive, power savings are offered over opto-coupled or emitter follower solutions.

### SELECTION GUIDE

| Order Code          | Type          | Function                  | Turns Ratio | Max. Pulse Width | Typ. Primary Inductance | Typ. Interwinding Capacitance |
|---------------------|---------------|---------------------------|-------------|------------------|-------------------------|-------------------------------|
|                     |               |                           |             | µs               | mH                      | pF                            |
| <b>Discontinued</b> |               |                           |             |                  |                         |                               |
| <b>1600C</b>        | Quad isolator | 5V to 5V logic isolation  | 1:1         | 5                | 3                       | 60                            |
| <b>1630C</b>        | Quad isolator | 5V to 15V logic isolation | 1:3         | 2.6              | 1                       | 34                            |

### ABSOLUTE MAXIMUM RATINGS

|   |                |
|---|----------------|
| Operating free air temperature range          | 0°C to 70°C    |
| Storage temperature range                     | -40°C to 125°C |
| Isolation voltage (flash tested for 1 second) | 500Vrms        |
| Insulation resistance at 500Vdc               | >10GΩ          |

### SOLDERING INFORMATION<sup>2</sup>

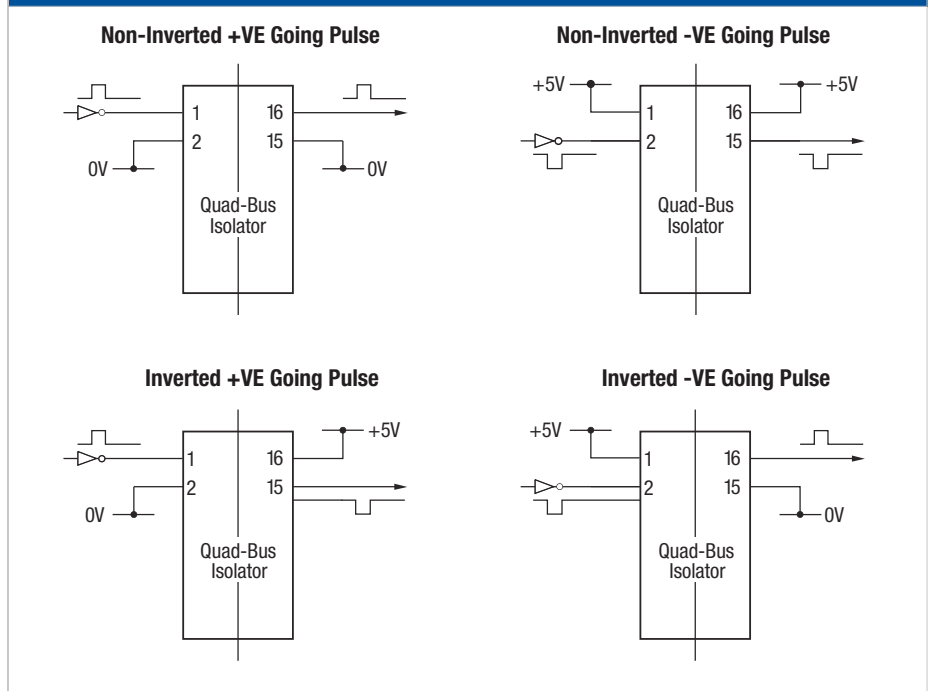
|   |                      |
|---|----------------------|
| Peak wave solder temperature, 1.5mm from case | 300°C for 10 seconds |
| Pin finish                                    | Matte tin            |

1 The maximum pulse width limit to be applied to the repetition curve.

2 For further information, please visit [www.murata-ps.com/rohs](http://www.murata-ps.com/rohs)

All specifications typical at T<sub>A</sub>=25°C.

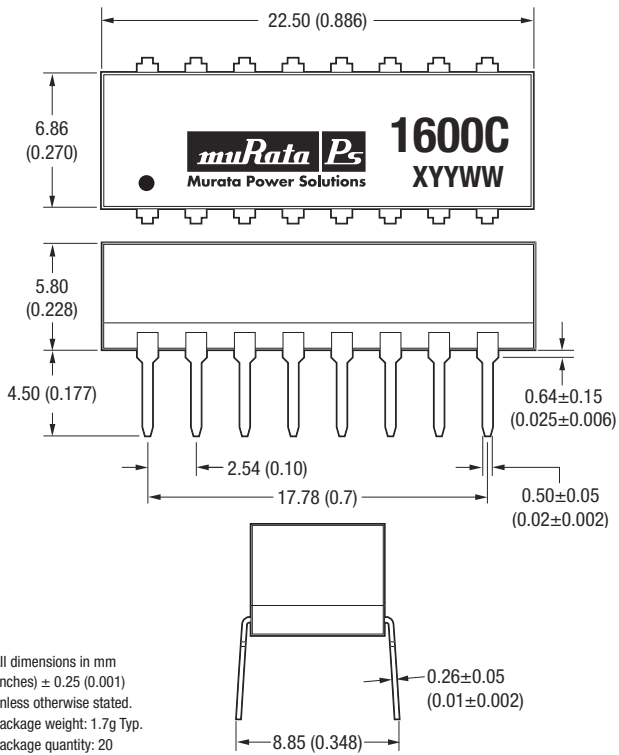
### OPERATIONAL CONFIGURATIONS



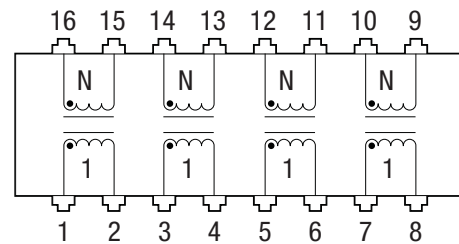
For full details go to [www.murata-ps.com/rohs](http://www.murata-ps.com/rohs)

**PACKAGE SPECIFICATIONS**

**MECHANICAL DIMENSIONS**



**PIN CONNECTIONS**



Murata Power Solutions, Inc.  
11 Cabot Boulevard, Mansfield, MA 02048-1151 U.S.A.  
ISO 9001 and 14001 REGISTERED

Murata Power Solutions, Inc. makes no representation that the use of its products in the circuits described herein, or the use of other technical information contained herein, will not infringe upon existing or future patent rights. The descriptions contained herein do not imply the granting of licenses to make, use, or sell equipment constructed in accordance therewith. Specifications are subject to change without notice.  
© 2018 Murata Power Solutions, Inc.