

Power Relays

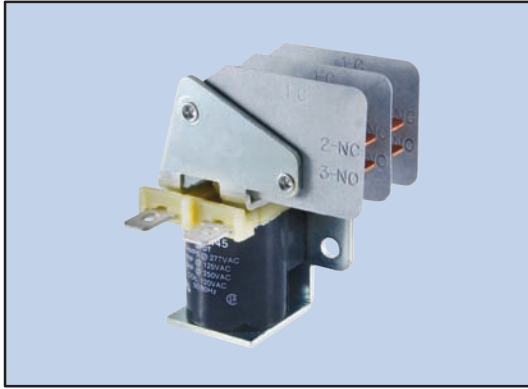
RLY74/75 Series



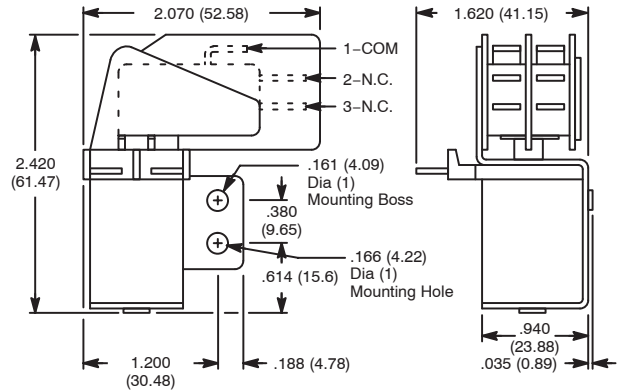
Industrial SPDT and DPDT, 20 Amp Power Relays.

Features

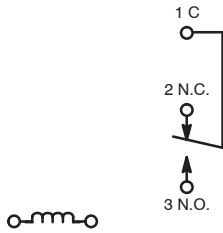
- Rated for Locked Rotor Applications
- Heavy Duty
- Multicontact
- .250" (6.35mm) Quick Connect Terminals



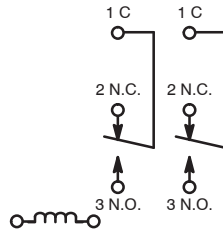
D71



SPDT, 1 Form "C"



DPDT, 2 Form "C"



Electrical Specifications

Contact

- Rating:** 20 Amp @ 277 VAC
 60 LRA, 12 FLA @ 125 VAC
 48 LRA, 8 FLA @ 240 VAC
Pilot Duty: 360 VAC @ 125/250 VAC
Contact Horsepower Rating: 1 HP @ 125 VAC, 2 HP @ 250 VAC
Material: Silver and silver-cadmium oxide

Coil

- Coil Voltages:** See Chart
Resistance: See Chart

Operational Characteristics

- Must Operate Voltage**
AC Coil: 85% of nominal voltage @ +25°C
DC Coil: 75% of nominal voltage @ +25°C

Insulation Characteristics

- Dielectric Strength**
Initial Breakdown Voltage: 1560V RMS, 60Hz
Insulation Resistance: Class B (130°C)

Environmental Characteristics

- Operating:** -10°C to +65°C

Life

- Mechanical:** 1 million operations/hour
Electrical: 50,000 operations/hour (under rated load)

AC OPERATED						
NTE Type No.	Nom. Volt.	Contact Arr.	Coil Res. Ohms (Typ)	Approx. Nom. Power	Max. Contact Cur. @ 28VDC 277VAC	Diag No.
RLY7423	24VAC	SPDT	35	4 VA	20A	D71
RLY7425	120VAC	SPDT	800	4 VA	20A	D71
RLY7443	24VAC	DPDT	35	4 VA	20A	D71
RLY7446	240VAC	DPDT	3200	4 VA	20A	D71
DC OPERATED						
RLY7522	12VDC	SPDT	50	3.0W	20A	D71
RLY7523	24VDC	SPDT	200	3.0W	20A	D71
RLY7543	24VDC	DPDT	130	4.5W	20A	D71

Note 1. Relay is designed for operation with plunger either vertical or horizontal; however, the relay is **not** designed for operation in an upside-down position.