

E222871

UL Approved Illuminated Pushbutton

## Specifications

Electrical Ratings	3A @ 125VAC, 65°C, 50K cycles 3A @ 250VAC, 65°C, 50K cycles	Actuation Force	200 ±50gF SPDT 250 ±50gF DPDT
Sealing Degree	IP67	Actuation Travel	3.2 ± .25mm
Electrical Life	50,000 cycles typical	Dielectric Strength	2,000Vrms min between contacts
Mechanical Life	1,000,000 cycles typical momentary 500,000 cycles typical latching	Insulation Resistance	≥ 1,000MΩ min @ 500VDC
Contact Resistance	≤ 50mΩ initial	Operating Temperature	-20°C to 65°C
		Storage Temperature	-20°C to 65°C

## Materials

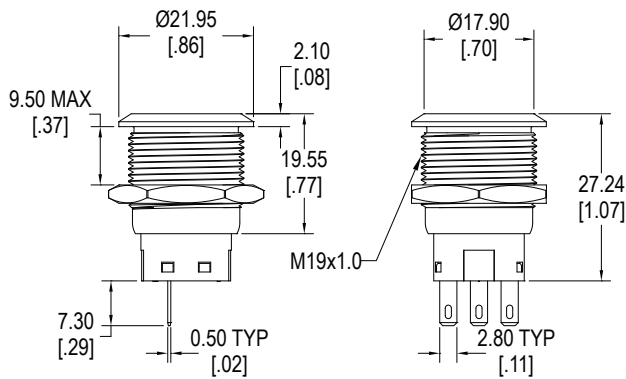
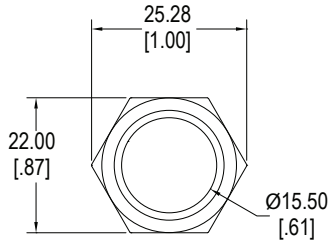
Actuator	Stainless Steel, Anodized Aluminum
LED Lens	Polycarbonate (PC)
Threaded Body	Stainless Steel, Anodized Aluminum
Terminal Support	Polybutylene Terephthalate (PBT)
Inner Switch Body	Polybutylene Terephthalate (PBT)
Contacts	Silver plated Copper Alloy
Terminals	Silver plated Copper Alloy
Hardware	One Hex Nut & One "O" Ring Supplied

## Ordering Information

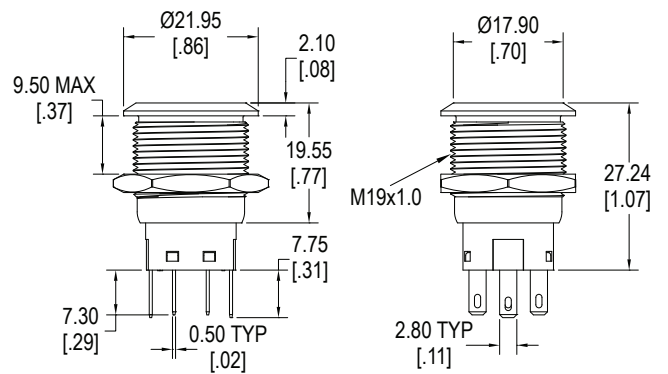
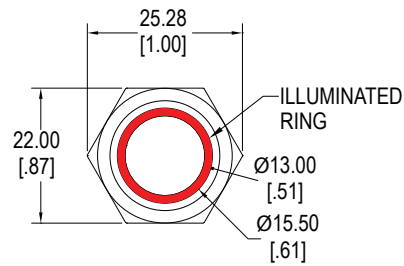
1. Series	AHU	1	N	B	S	R	12
AHU							
2. Number of Poles							
1 = SPDT							
2 = DPDT							
3. Latching Option							
N = Momentary							
L = Latching							
4. Actuator Style:							
A = Flush actuator, non-illuminated							
B = Flush actuator, ring illuminated							
C = Flush actuator, dot illuminated							
K = Flush actuator, international standby symbol illuminated							
5. Switch Finish							
S = Stainless Steel							
B = Black Anodized Aluminum							
6. LED Color							
Z = No LED	G = Green						
R = Red	B = Blue						
Y = Yellow	W = White						
7. LED Voltage							
Z = No LED	110 = 110V						
6 = 6V	220 = 220V						
12 = 12V	N = No internal resistor in series with the LED						
24 = 24V							

OPTIONAL Socket Housing available

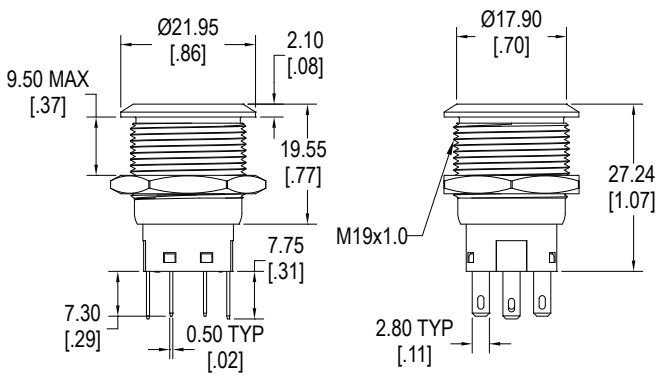
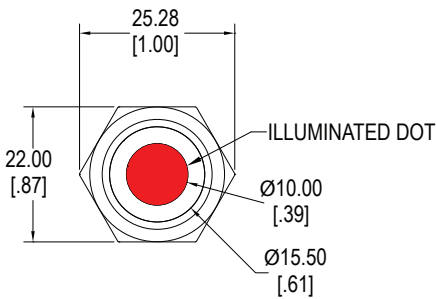
**Dimensions**



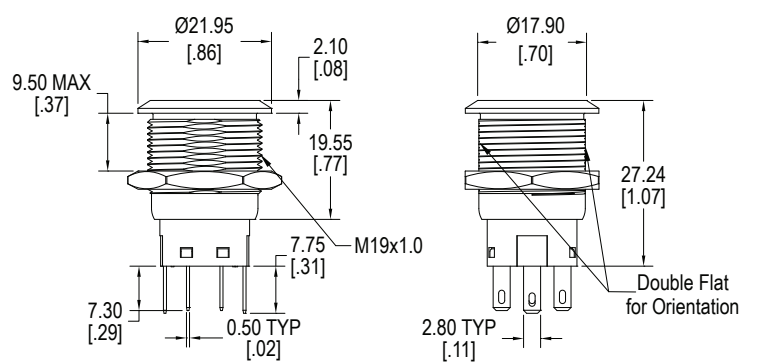
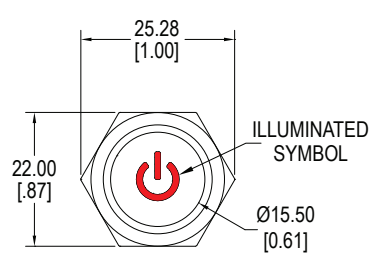
**A - Flush Actuator, Non-Illuminated**



**B - Flush Actuator, Ring Illuminated**



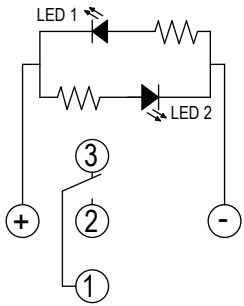
**C - Flush Actuator, Dot Illuminated**



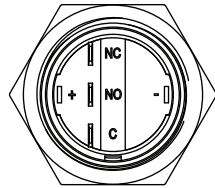
**K - Flush Actuator, International Standby Symbol**

### Schematics

#### Single Pole

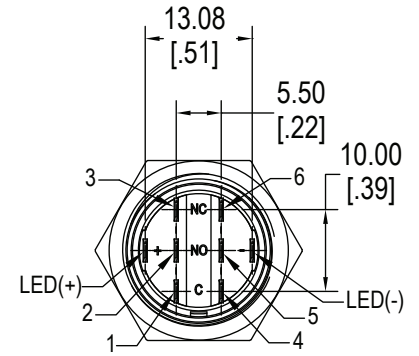
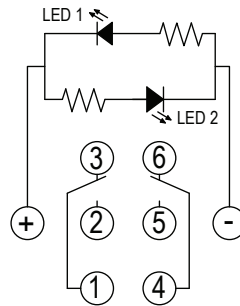


Schematic



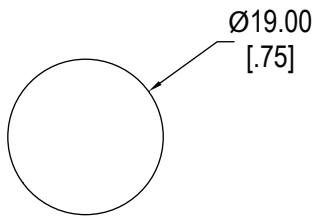
Bottom View

#### Double Pole

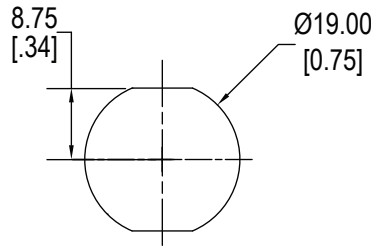


Panel Cut-Out

### Panel Cut-Out

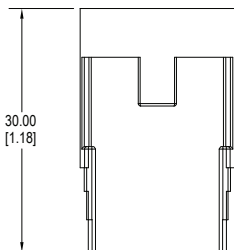
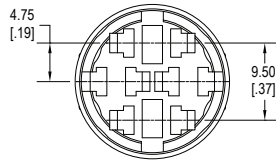


Actuators A, B, C

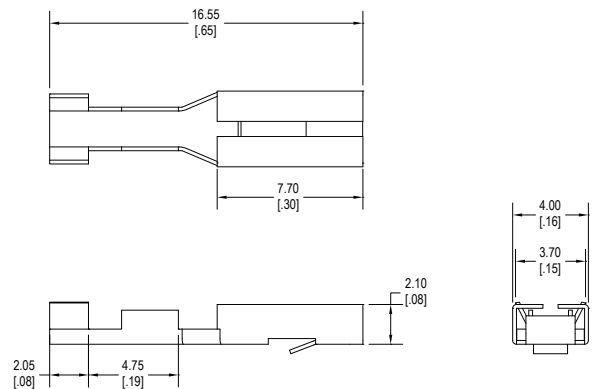
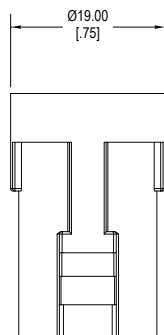


Actuator K

### Optional Socket Housing



SS2002



SS Terminal  
for use with wire size 18AWG to 24AWG

### LED Characteristics

LED Ratings		Color					Units
		R	Y	G	B	W	
Reverse Voltage	$V_R$	5	5	5	5	5	V
Forward Current (peak)	$I_{FS}$	120	120	160	160	160	mA
Reverse Current $V_R = 5V$	$I_R$	10	10	10	10	10	$\mu A$
Power Dissipation	$P_T$	80	80	120	120	120	mW
Forward Voltage (typ) $I_F = 20mA$	$V_F$	2.1	2.1	3.3	3.3	3.0	V
Luminous Intensity, $I_F = 20mA$	LI	120	120	170	100	700	mcd