

E222871

Snap Action

## Specifications

UL Electrical Ratings	Evaluated to UL 61058-1 1/2hp@125VAC/250VAC; T120, 10K cycles 10.1A@277VAC resistive, T120, 10K cycles 10.1A@125VAC inductive, T120, 10K cycles	Mechanical Life: 10,000,000 cycles, typical Contact Resistance: < 20m Ω initial Actuation Forces: 80gF, 110gF or 180gF Dielectric Strength: 1000Vrms min. @ sea level Insulation Resistance: ≥ 100MΩ min Operating Temperature: -40°C to +120°C Storage Temperature: -40°C to +120°C
	Evaluated to UL 1054 16A@125VAC/250VAC resistive, T120, 6K cycles 6A@125VAC/250VAC general purpose, T120, 6K cycles 5A@125VAC inductive, T120, 6K cycles	
TÜV Electrical Ratings	16(6)@250VAC; 10K cycles T120; 50K cycles T85	

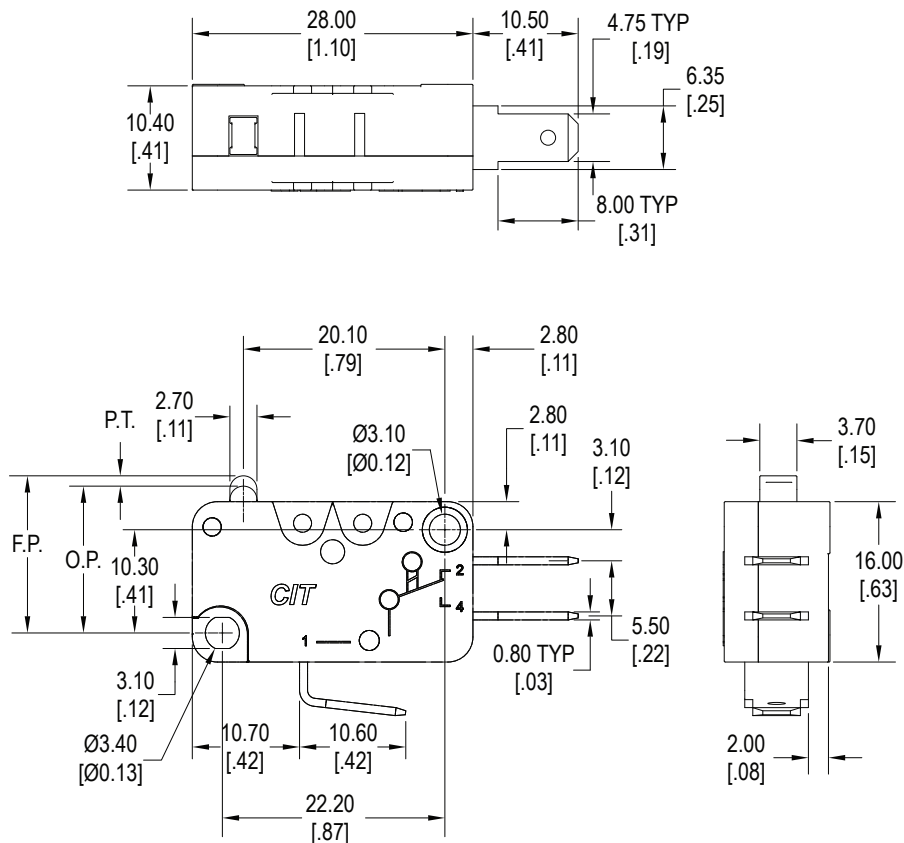
## Materials

Base / Cover	Polybutylene Terephthalate (PBT), UL94-V0
Pin Plunger	Polybutylene Terephthalate (PBT), UL94-V0
Contacts	Silver Alloy
Terminals	Copper Alloy, Silver Plated

## Ordering Information

1. Series	VM3	C	Q	F080	1	L00
2. Circuit	A = SPST NO B = SPST NC C = SPDT					
3. Contact Material	Q = Silver					
4. Operating Force without lever **Contact factory for other force options	F080 = 80gF F110 = 110gF F180 = 180gF					
5. Termination	1 = 0.250" Quick Connect 2 = 0.187" x 0.8mm Quick Connect 3 = 0.187" x 0.5mm Quick Connect Thinner Version					
6. Actuator (Lever)	L00 = Pin plunger L01 = Roller lever, standard L02 = Simulated roller L03 = Hinge lever, standard L04 = Hinge lever, short L06 = Roller lever, short L07 = Hinge lever, long					

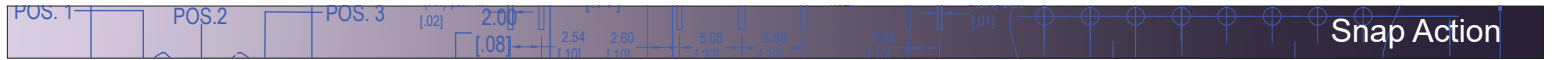
## Dimensions - Standard



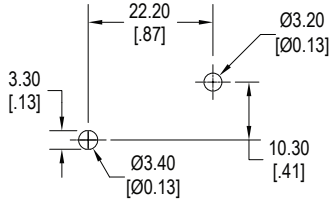
## Switch Characteristics

Actuators (Levers)	Operating Force - OF (grams)			Release Force - RF (grams)			Free Position (FP) all forces (mm)	Pre-Travel (PT) all forces max (mm)	Operating Position (OP) all forces (mm)	Over Travel (OT)	*Movement Differential (MD) all forces max (mm)
	80gF	110gF	180gF	80gF	110gF	180gF					
L00	80±20	110±30	180±30	40±15	90±20	90±20	15.7	1.4	14.3	1.1	0.4
L01	40±15	55±20	80±20	20±10	60±20	60±20	22.3	3.7	18.6	2.5	0.7
L02	40±15	60±20	80±20	20±10	60±20	40±20	20.8	3.1	17.7	2.3	0.7
L03	35±10	50±20	70±20	18±8	50±20	50±20	17.3	3.3	14.0	2.3	0.6
L04	65±15	95±20	145±30	35±15	45±20	60±20	16.4	2.2	14.2	1.2	0.5
L06	80±20	100±20	180±30	40±15	70±20	80±20	21.8	1.9	19.9	1.2	0.4
L07	18±10	25±10	40±15	10±5	20±10	20±10	19.0	7.7	11.3	7.1	1.9

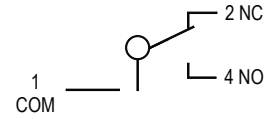
\*Movement Differential (MD) : Distance or angle from the operating position to the release position.



**Panel Mounting**

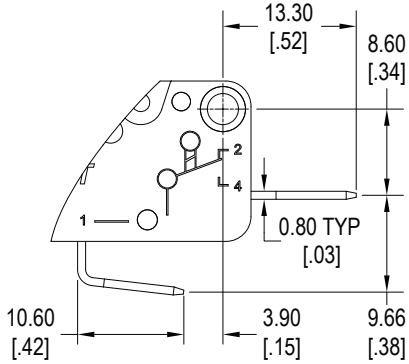
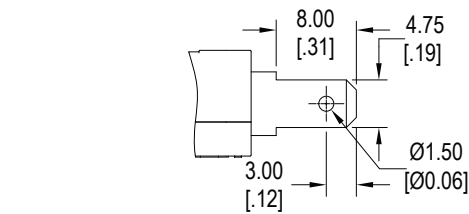


**Schematic**

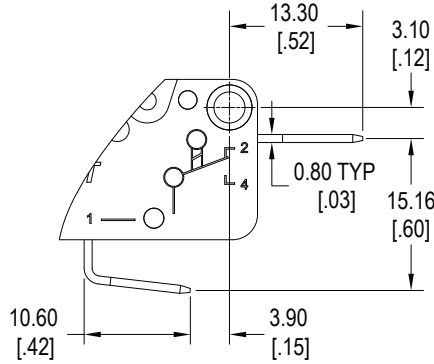
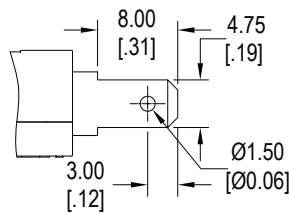


**Terminal Options**

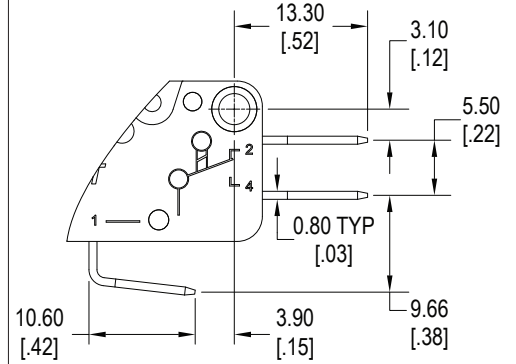
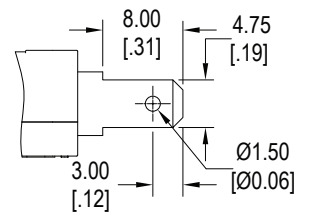
**.187" x 0.8mm Quick Connect Terminals**



**SPST N.O.**



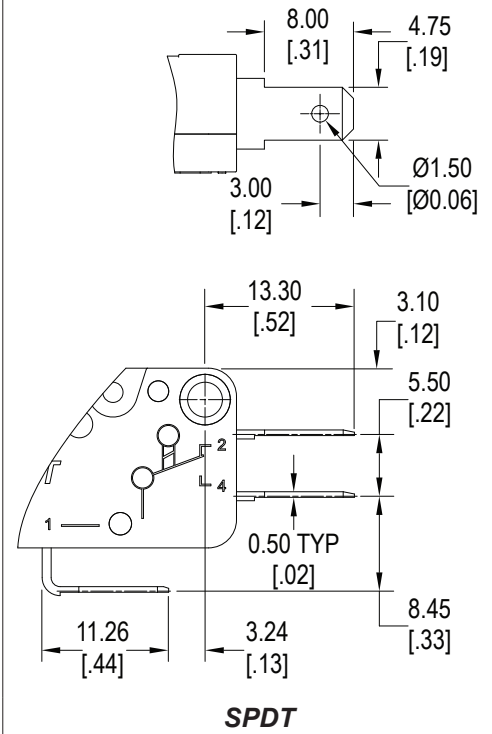
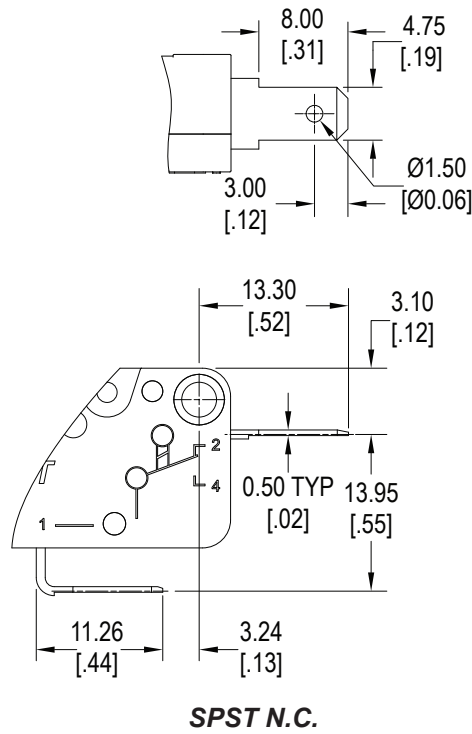
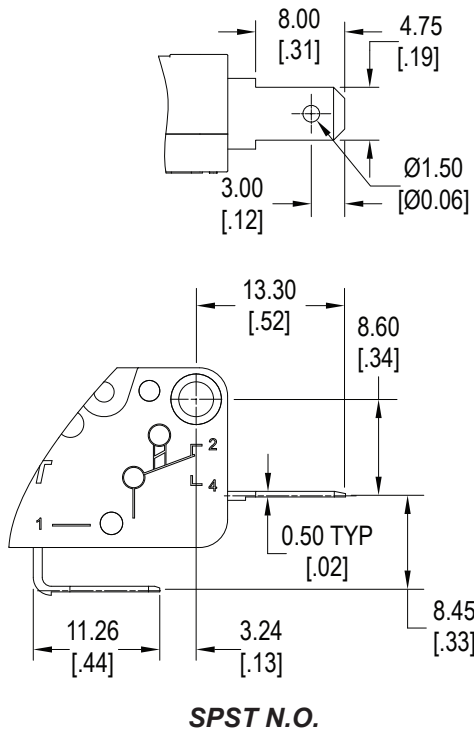
**SPST N.C.**



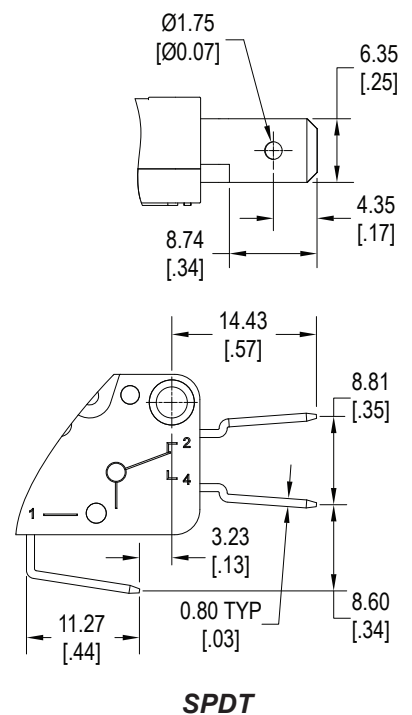
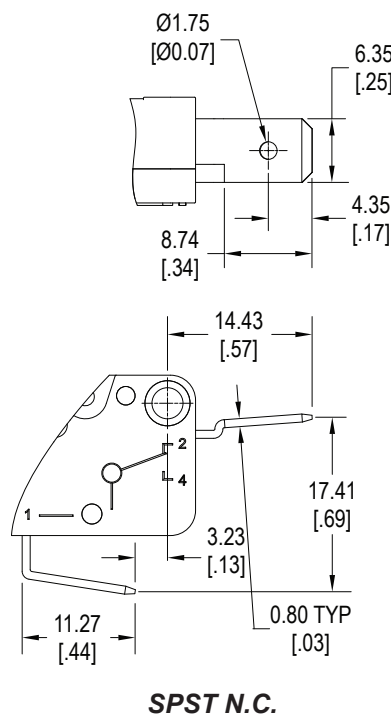
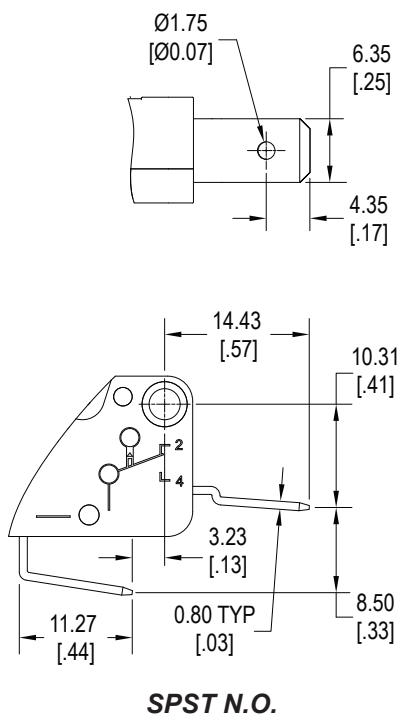
**SPDT**

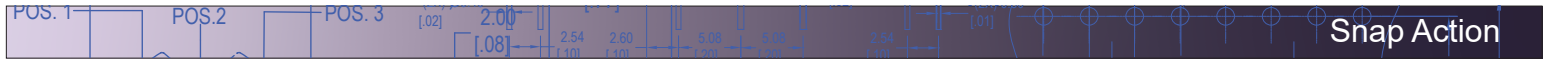
**Terminal Options**

**.187" x 0.5mm Quick Connect Terminals**

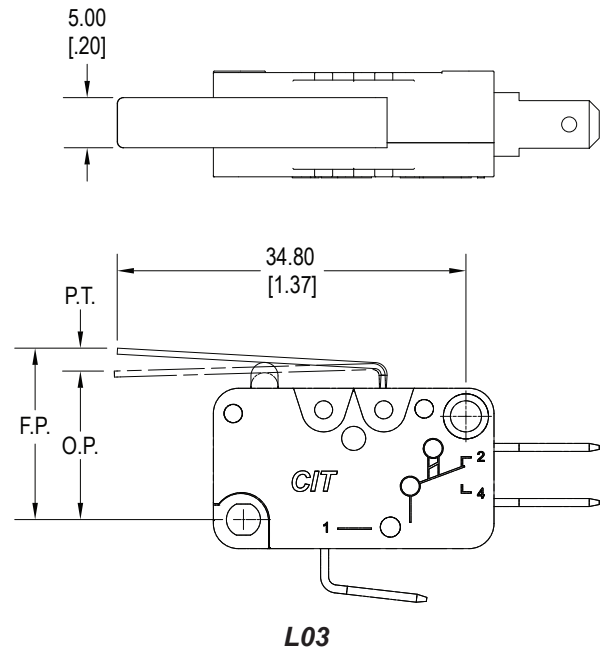
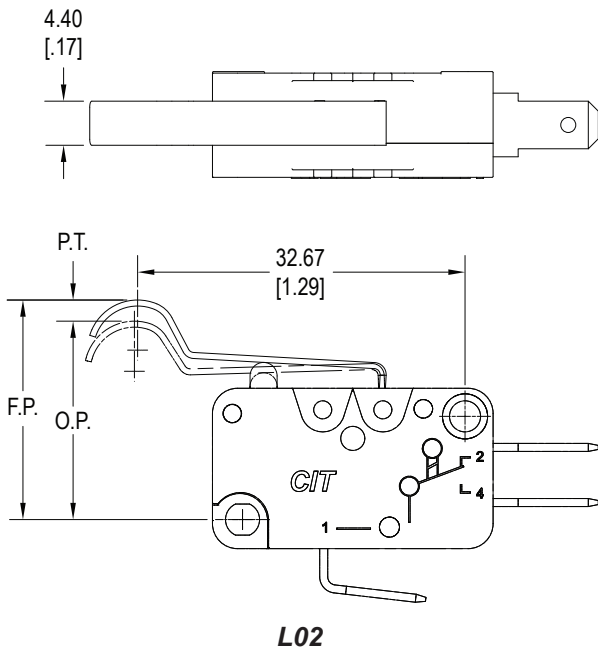
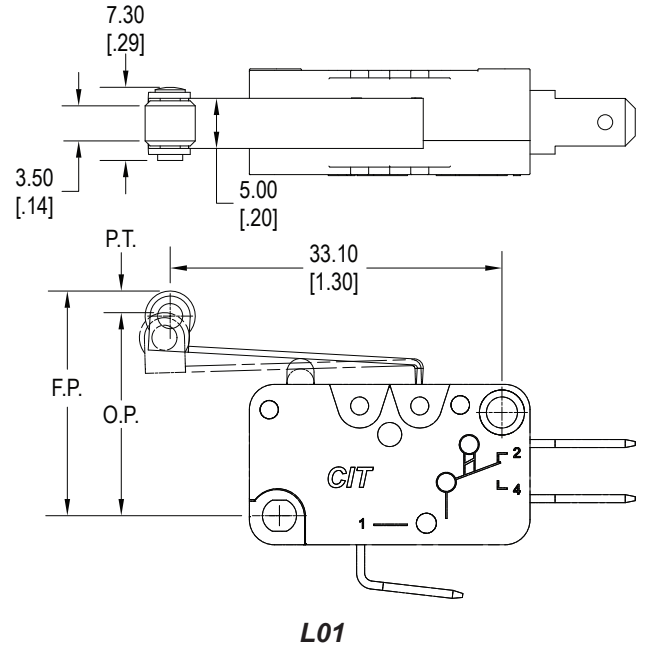
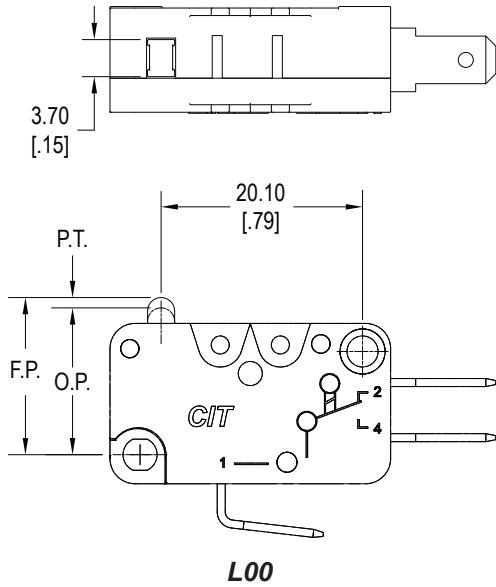


**.250" Quick Connect Terminals**





**Levers**



**Levers**

