



### Main

Range of Product	Advantys ABE9
Product or Component Type	IP67 passive splitter box
Number of Channels	4
Electrical connection	1 pre-wired cable connector, 32.81 ft (10 m) 4 female connectors M12 5 pins
Status LED	Channel status 1 LED per channel Yellow) Power ON 2 LEDs Green)

### Complementary

Number of ways	8 ways
[Ue] rated operational voltage	24 V DC
Current per channel	4 A
Insulation group	Category 3 VDE 0110
Operating position	Any position
Fixing Mode	M4 screw fixing
Contact resistance	5000 µOhm
Current of common	16 A 0.00 in <sup>2</sup> (1 mm <sup>2</sup> ) 12 A 0.00 in <sup>2</sup> (0.75 mm <sup>2</sup> )
Separation of commons	Without or with
Net Weight	3.75 lb(US) (1.7 kg)

### Environment

IP degree of protection	IP67 conforming to IEC 529
Product Certifications	cULus
Ambient air temperature for operation	-4...176 °F (-20...80 °C)
Ambient Air Temperature for Storage	-40...185 °F (-40...85 °C)
Vibration resistance	0.2 gn 57...150 Hz)IEC 68-2-6, FC tests
Shock resistance	30 gn 11 ms EN 68-2-2 30 gn 11 ms IEC 68-2-2

### Ordering and shipping details

Category	18125 - MODSOFT LITE SOFTWARE
Discount Schedule	PC12
GTIN	3389110404609
Nbr. of units in pkg.	1
Package weight(Lbs)	3.30 lb(US) (1.498 kg)
Returnability	No
Country of origin	DE

## Packing Units

Unit Type of Package 1	PCE
Package 1 Height	1.57 in (4 cm)
Package 1 width	11.81 in (30 cm)
Package 1 Length	11.02 in (28 cm)
Unit Type of Package 2	S03
Number of Units in Package 2	4
Package 2 Weight	14.05 lb(US) (6.374 kg)
Package 2 Height	11.81 in (30 cm)
Package 2 width	11.81 in (30 cm)
Package 2 Length	15.75 in (40 cm)

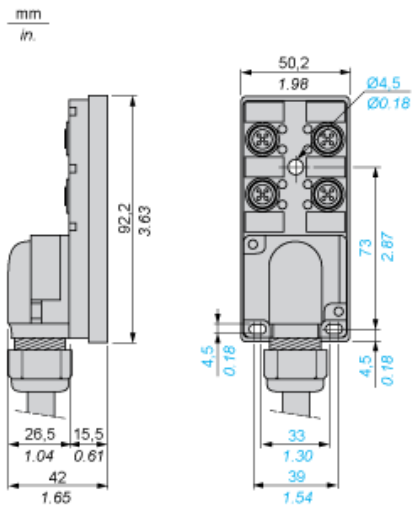
## Offer Sustainability

Sustainable offer status	Green Premium product
California proposition 65	WARNING: This product can expose you to chemicals including: Lead and lead compounds, which is known to the State of California to cause cancer and birth defects or other reproductive harm. For more information go to <a href="http://www.P65Warnings.ca.gov">www.P65Warnings.ca.gov</a>
REACH Regulation	<a href="#">REACH Declaration</a>
REACH free of SVHC	Yes
EU RoHS Directive	Pro-active compliance (Product out of EU RoHS legal scope) <a href="#">EU RoHS Declaration</a>
Toxic heavy metal free	Yes
Mercury free	Yes
RoHS exemption information	<a href="#">Yes</a>
China RoHS Regulation	<a href="#">China RoHS Declaration</a>
Environmental Disclosure	<a href="#">Product Environmental Profile</a>
Circularity Profile	<a href="#">End Of Life Information</a>
WEEE	The product must be disposed on European Union markets following specific waste collection and never end up in rubbish bins.

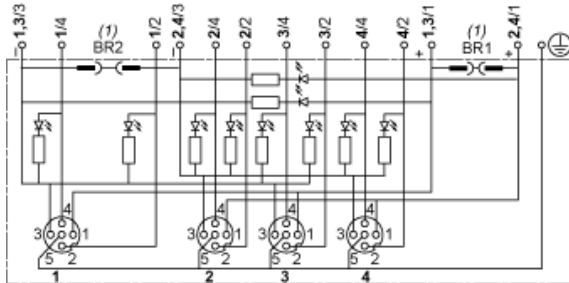
## Contractual warranty

Warranty	18 months
----------	-----------

Dimensions



Wiring Diagram



(1) BR1 and BR2: removable link

Item	Terminal	Wire
1/4	1	White
1/2	9	Grey/pink
2/4	2	Green
2/2	10	Red/blue
3/4	3	Yellow
3/2	11	White/green
4/4	4	Grey
4/2	12	Brown/green
1 and 3/1	+1	Brown 1
2 and 4/1	+2	Brown 2
1 and 3/3	-1	Blue 1
2 and 4/3	-2	Blue 2
1...4/5	PE	Green/yellow

Connection Terminals

