



ANATECH ELECTRONICS INC
RF & Microwave Filters & Products

452.5-457.475 MHz / 462.5-467.475 MHz Cavity Duplexer

Part Number: AD454-464D275

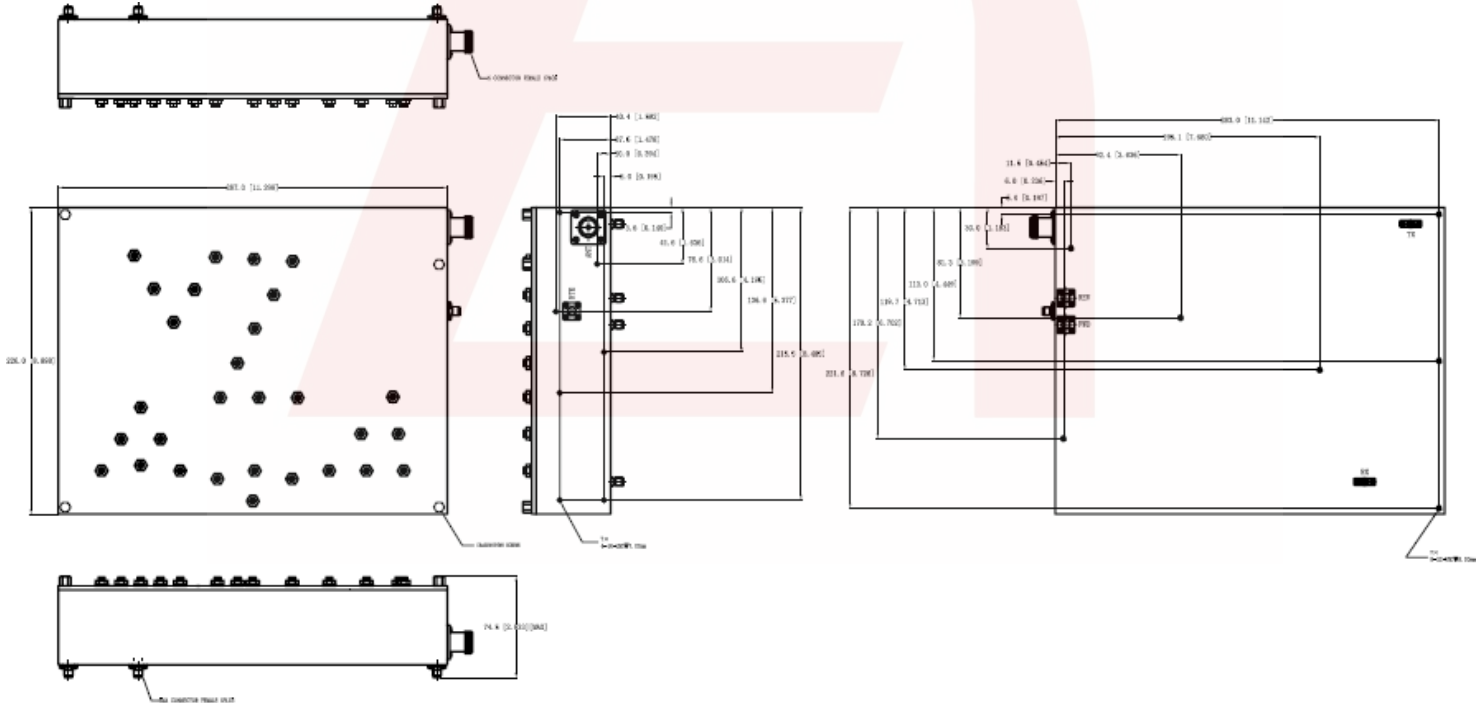


<u>Characteristics</u>	<u>Band 1</u>	<u>Band 2</u>
Passband:	452.5-457.475 MHz	462.5-467.475 MHz
Bandwidth:	4.975 MHz	4.975 MHz
Passband Return Loss:	19 dB	19 dB
Passband Insertion Loss:	1.5 dB	1.5 dB
Passband Ripple:	0.2 dB	0.2 dB
Input / Output Impedance:	50 Ohms	50 Ohms
Isolation:	60 dB	60 dB
Power Handling:		

<u>Mechanical</u>	
Mounting Method:	Threaded Mounting Holes
Connector Type:	N-Type (F)
Dimensions:	287 x 226 x 65 mm

<u>Environmental</u>	
Operating Temperature:	-40 to +85 deg.C
Storage Temperature:	-50 to +90 deg.C

Outline Drawing:



DS-D275-08202015-Rev1



Response Plot

