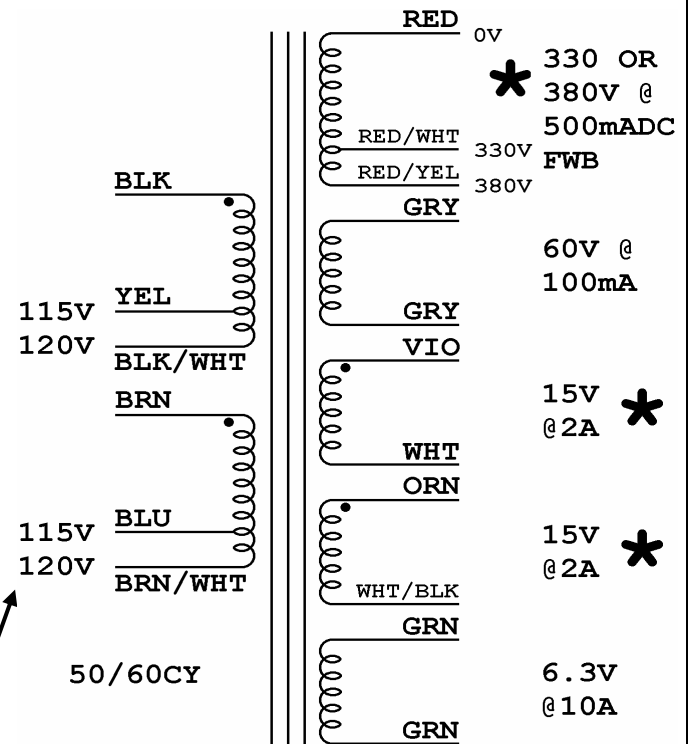
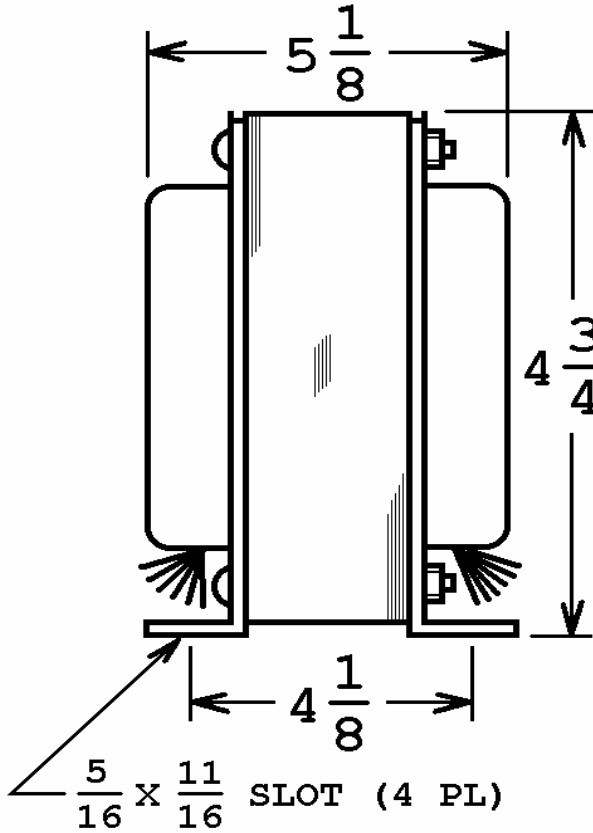
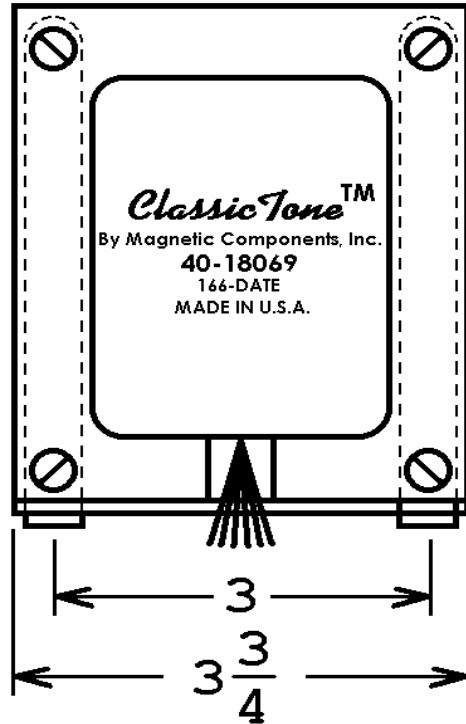


This drawing is the property of Magnetic Components, Inc. and shall not be reproduced, in whole or in part, without the written permission of Magnetic Components, Inc.

REVISIONS			
LTR	DESCRIPTION	DATE	APPROVED
A	CHG LEAD COLORS ON 15V WINDINGS. ADD 15V NOTE.	10/28/14	M. Sacketti
B	ADD SHEETS 3 & 4 FOR HV & 15V WINDINGS OPTIONS	1/11/16	M. Sacketti

SEE SHEETS 3 & 4 FOR OPTIONAL HIGH VOLTAGE WINDING AND 15V WINDINGS CONNECTIONS & VOLTAGES

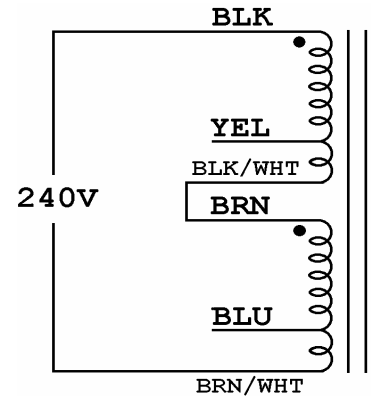
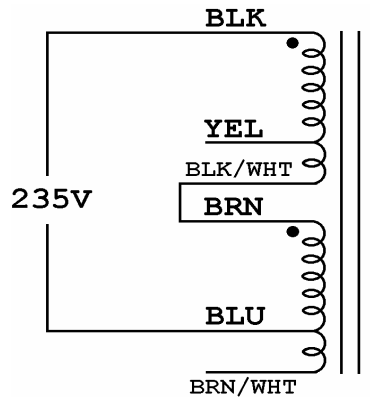
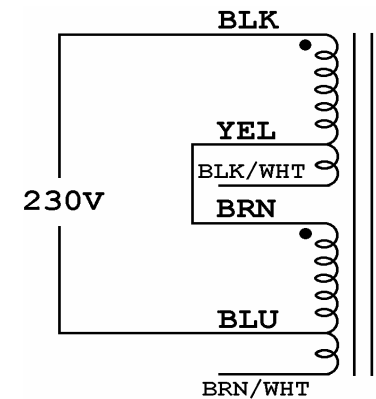
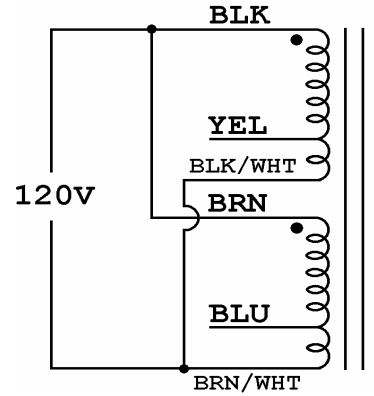
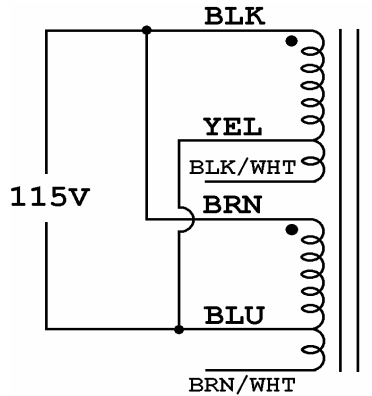


SEE SHEET 2 FOR PRIMARY CONNECTIONS

UNLESS OTHERWISE SPECIFIED	SIGNATURES		DATE	MAGNETIC COMPONENTS, INC.		DIV : SCHILLER PK	
	DRAWN : <i>M. Sacketti</i>		15 MAR 11	TITLE			
ALL DIMENSIONS IN INCHES DO NOT SCALE DRAWING	CHECK :			POWER TRANSFORMER			
	APPR : <i>M. Sacketti</i>		15 MAR 11	CAGE	SIZE	PART No.	REV
FRACTIONS +/-				50508	A	40-18069	B
.X = +/-				SCALE	NONE		
.XX = +/-				SHEET : 1 OF 4			
.XXX = +/-							
ANGLES = +/-							

This drawing is the property of Magnetic Components, Inc. and shall not be reproduced, in whole or in part, without the written permission of Magnetic Components, Inc.

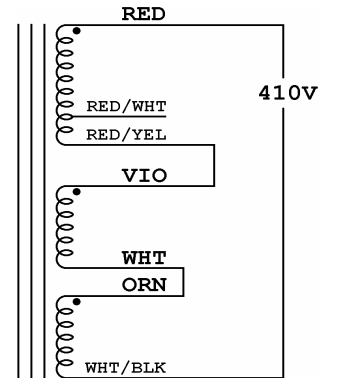
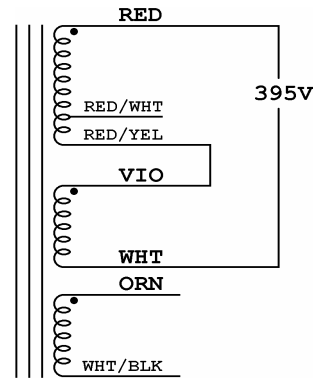
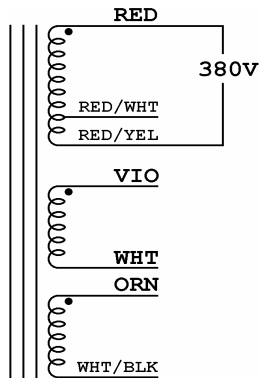
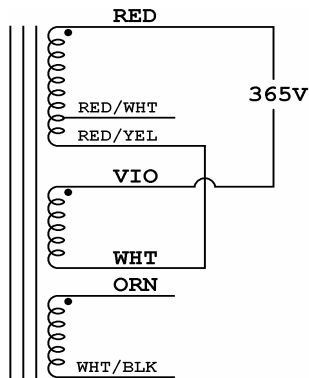
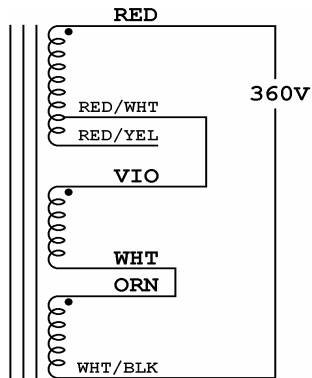
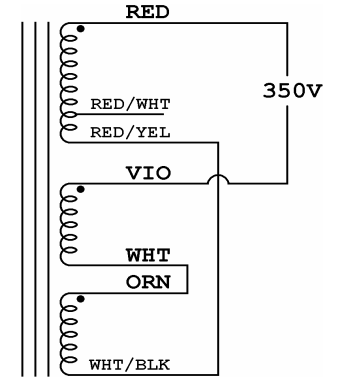
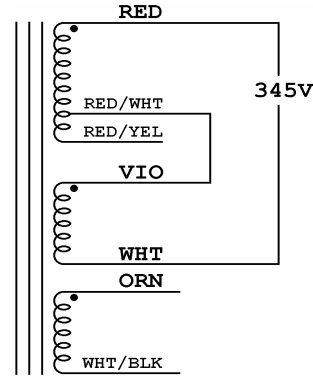
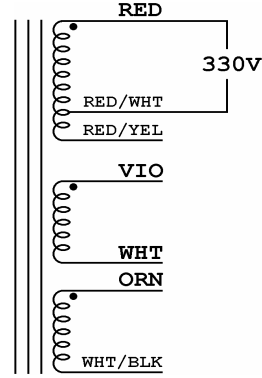
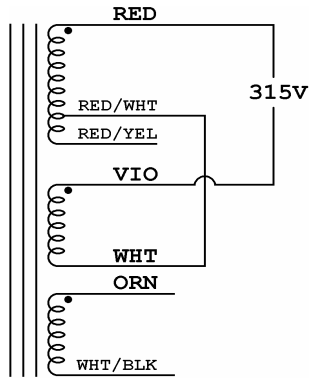
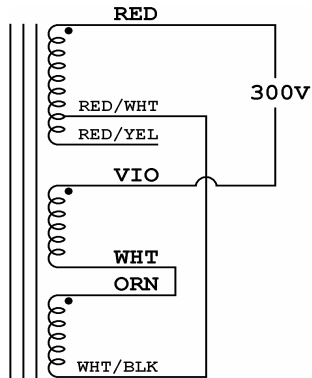
REVISIONS			
LTR	DESCRIPTION	DATE	APPROVED



UNLESS OTHERWISE SPECIFIED ALL DIMENSIONS IN INCHES DO NOT SCALE DRAWING FRACTIONS +/- .X = +/- .XX = +/- .XXX = +/- ANGLES = +/-	SIGNATURES		DATE	MAGNETIC COMPONENTS, INC.		DIV : LOC : SCHILLER PK	
	DRAWN : <i>[Signature]</i>		15 MAR 11	TITLE PRIMARY CONNECTIONS			
	CHECK :						
	APPR : <i>[Signature]</i>		15 MAR 11	CAGE 50508	SIZE A	PART No. 40-18069	REV B
			SCALE NONE	SHEET : 2 OF 4			

This drawing is the property of Magnetic Components, Inc. and shall not be reproduced, in whole or in part, without the written permission of Magnetic Components, Inc.

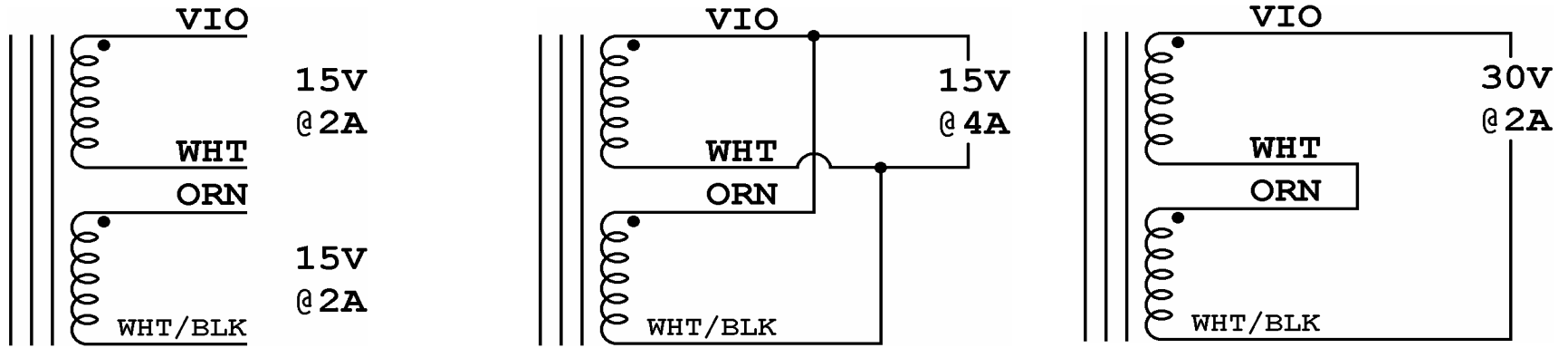
REVISIONS			
LTR	DESCRIPTION	DATE	APPROVED



UNLESS OTHERWISE SPECIFIED ALL DIMENSIONS IN INCHES DO NOT SCALE DRAWING FRACTIONS +/- .X = +/- .XX = +/- .XXX = +/- ANGLES = +/-	SIGNATURES		DATE	MAGNETIC COMPONENTS, INC.		DIV : LOC : SCHILLER PK		
	DRAWN : <i>[Signature]</i>		15 MAR 11	TITLE HIGH VOLTAGE WINDING VOLTAGE OPTIONS				
	CHECK :			CAGE 50508		SIZE A	PART No. 40-18069	REV B
	APPR : <i>[Signature]</i>		15 MAR 11	SCALE NONE		SHEET : 3 OF 4		

This drawing is the property of Magnetic Components, Inc. and shall not be reproduced, in whole or in part, without the written permission of Magnetic Components, Inc.

REVISIONS			
LTR	DESCRIPTION	DATE	APPROVED



UNLESS OTHERWISE SPECIFIED ALL DIMENSIONS IN INCHES DO NOT SCALE DRAWING FRACTIONS +/- .X = +/- .XX = +/- .XXX = +/- ANGLES = +/-	SIGNATURES		DATE	MAGNETIC COMPONENTS, INC.		DIV : LOC : SCHILLER PK	
	DRAWN : <i>[Signature]</i>		15 MAR 11	TITLE 15V WINDING CONNECTION OPTIONS			
	CHECK :						
	APPR : <i>[Signature]</i>		15 MAR 11	CAGE 50508	SIZE A	PART No. 40-18069	REV B
			SCALE NONE	SHEET : 4 OF 4			