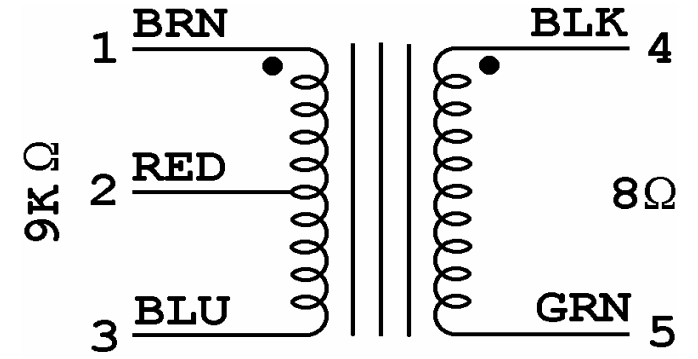
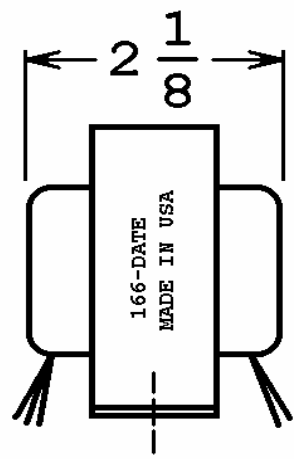
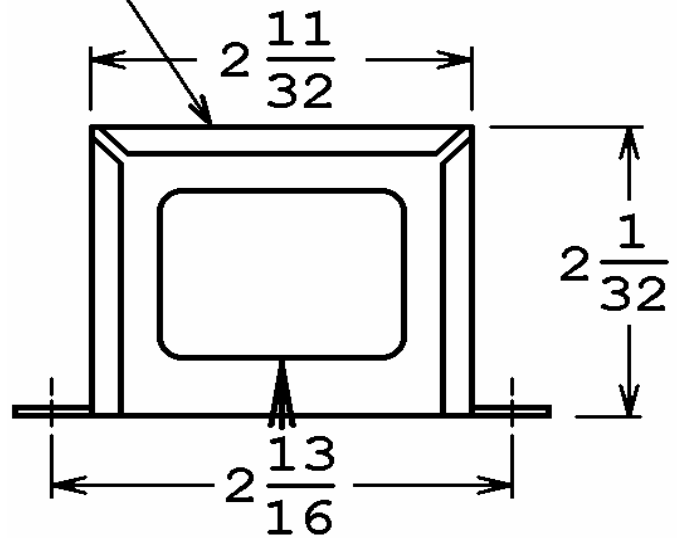


40-18101

This drawing is the property of Magnetic Components, Inc. and shall not be reproduced, in whole or in part, without the written permission of Magnetic Components, Inc.

REVISIONS			
LTR	DESCRIPTION	DATE	APPROVED

**Classic Tone™**  
By Magnetic Components, Inc.  
40-18101



FENDER 026839

UNLESS OTHERWISE SPECIFIED		SIGNATURES		DATE		MAGNETIC COMPONENTS, INC.		DIV : LOC : SCHILLER PK		
ALL DIMENSIONS IN INCHES DO NOT SCALE DRAWING		DRAWN : <i>MJF</i>		08 NOV 13		TITLE <b>MUSICMASTER BASS OUTPUT</b>				
CHECK :		APPR : <i>M. Schiller</i>		08 NOV 13		CAGE	50508	SIZE	PART No.	REV
FRACTIONS +/-						A		40-18101		-
.X = +/-						SCALE		NONE		SHEET :
.XX = +/-										
.XXX = +/-										
ANGLES = +/-										